

Polypropylene Industrial Filter Housings offer excellent chemical resistance for corrosive environments ideal for industrial and chemical applications and bulk particulate removal.

## Features Include:

- Full PPH Construction (Polypropylene Homopolymer)
- Lightweight, Durable, and UV Resistant
- Trade Size #1, #2 and #4 Housings
- Flanged Inlet and Outlet Connections
- Maximum Flow Rates:
  - #1 Housing: 75 GPM
  - #2 Housing: 125 GPM
  - #4 Housing: 40 GPM
- Viton® O-rings Standard
- 87 psi Working Pressure
- 176°F Maximum Temperature



## PRM PART #:

- #1 SIZE HOUSING: BFHHTF1APF200X
- #2 SIZE HOUSING: BFHHTF2APF200X
- #3 SIZE HOUSING: BFHHTF4APF150X

Polypropylene Industrial Filter Housings offer excellent chemical resistance for corrosive environments ideal for industrial and chemical applications and bulk particulate removal where traditional stainless steel filter housings would not be compatible.

## Features of PPH Housings:

- Acid and Alkali Resistance
- High Temperature (176°F Maximum)
- No tools required for use and maintenance, easy and quick to replace the bag filter
- Flow Rates:
  - #1 Housing: 75 GPM
  - #2 Housing: 125 GPM
  - #4 Housing: 40 GPM

## Materials:

Housing and Basket: PPH  
O-Rings: FKM

Pressure: Max. 87 psi Working Pressure

## Applications:

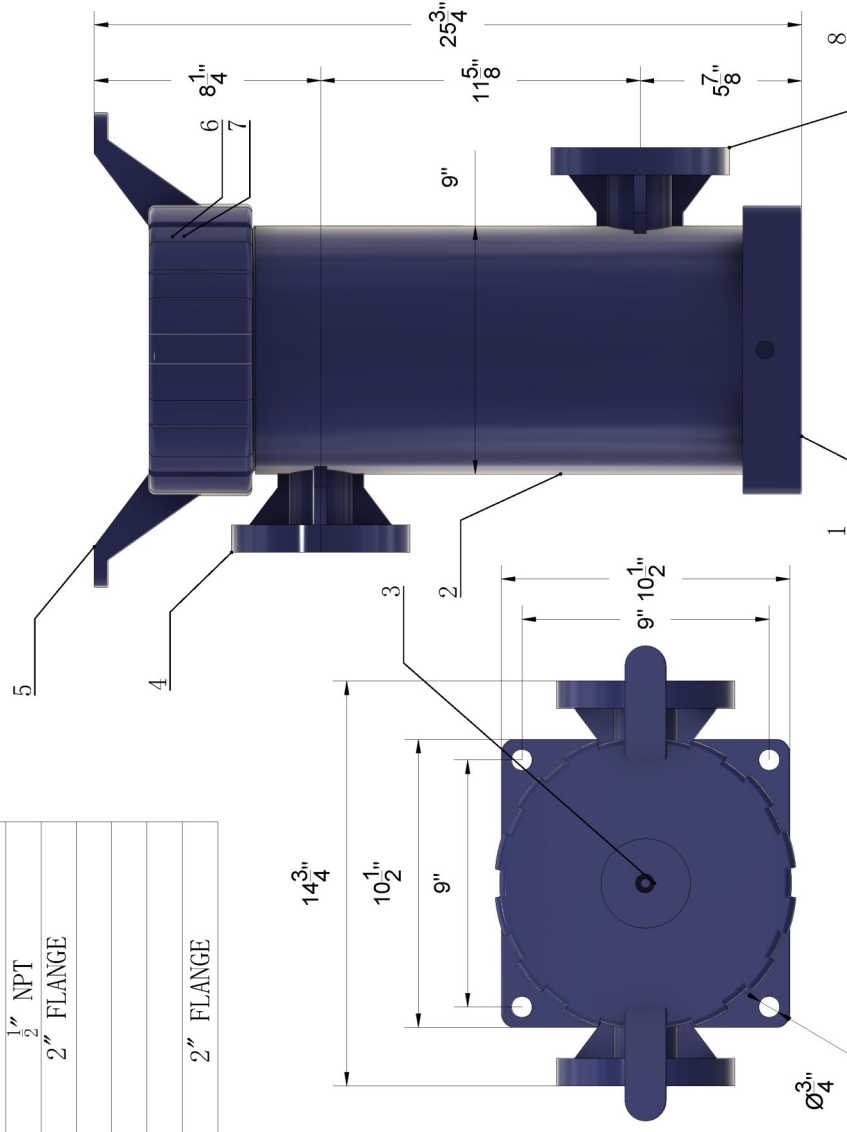
- Metal Processing
- Chemical Industry
- Inks and Coatings
- Acid-base Solution Filtration
- Electroplating Filtration Industry
- Pre-filtration of High-purity Water



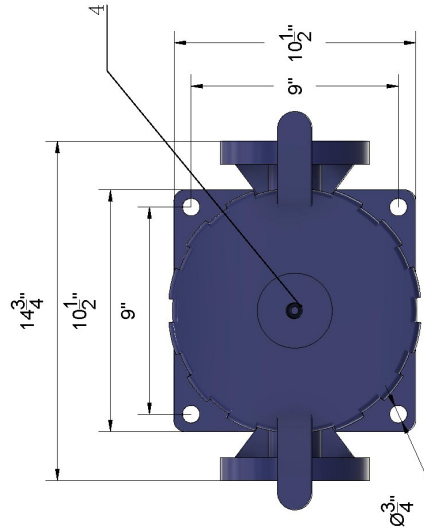
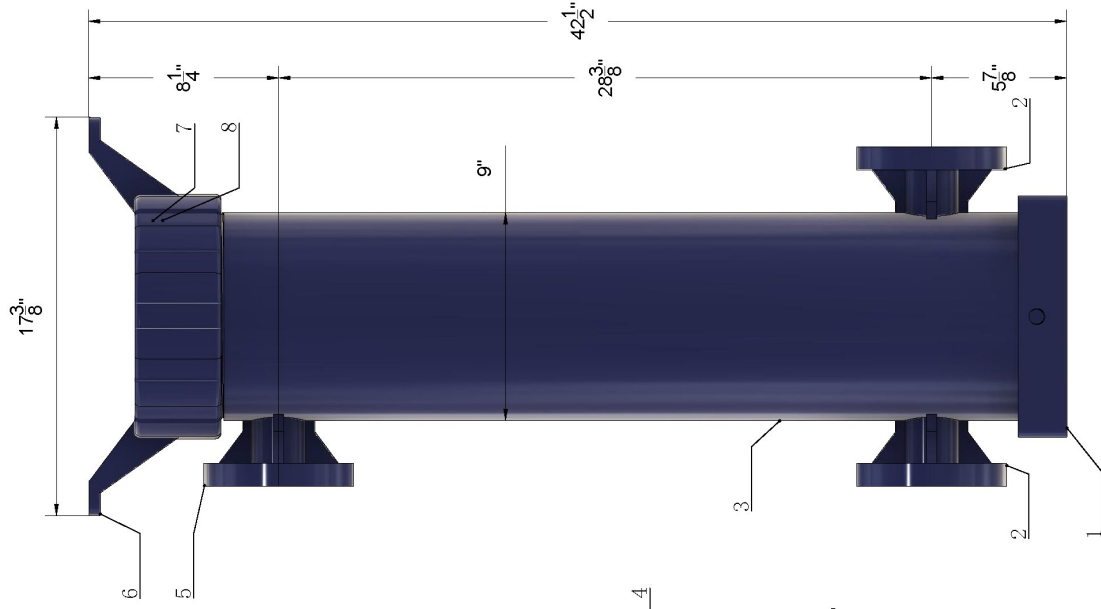
NO.	ITEM	QTY	MATERIAL	NOTES
1	BASE	1	PPH	
2	SHELL	1	PPH	
3	VENT	1	PPH	1" NPT
4	INLET	1	PPH	2" FLANGE
5	LID	1	PPH	
6	LID INSERT	1	PPH	
7	O-RING	1	VITON	
8	OUTLET	1	PPH	2" FLANGE

**NOTES:**

1. PRM FILTRATION IS ONLY A SUPPLIER OF THIS EQUIPMENT.
2. PRM IS NOT RESPONSIBLE FOR SPECIFYING THIS PRODUCT FOR THE APPLICATION.
3. BUYERS AND/OR USER SHOULD REQUIRE AN ENGINEER FOR ENSURING THAT THE PROPER EQUIPMENT IS INSTALLED FOR THE APPLICATION INCLUDING ALL PROPER SAFETY PRACTICES.
4. PRM IS NOT RESPONSIBLE FOR ANY DAMAGES TO PROPERTY AND/OR INJURY/DEATH RELATED TO IMPROPER INSTALLATION, FILTRATION EQUIPMENT INSTALLATIONS SHOULD ALWAYS INCLUDE ANCILLARY SAFETY DEVICES AND/OR OPERATIONAL PRACTICES.
5. IT IS AGREED THAT PRM NOR ITS OWNERS HAVE LIABILITY WITH THE INSTALLATION AND OPERATION OF THESE OR OTHER PRODUCTS PURCHASED FROM PRM.
6. ALLOW UP TO 1/4" TOLERANCE ON ALL MEASUREMENTS.
7. MODEL LINK: <https://a360.co/3WAgHMB>



NO.	ITEM	QTY	MATERIAL	NOTES
1	BASE	1	PPH	
2	OUTLET	2	PPH	2" FLANGE
3	SHELL	1	PPH	
4	VENT	1	PPH	1" NPT
5	INLET	1	PPH	2" FLANGE
6	LID	1	PPH	
7	LID INSERT	1	PPH	
8	O-RING	1	VITON	



NOTES:

1. PRM FILTRATION IS ONLY A SUPPLIER OF THIS EQUIPMENT.
2. PRM IS NOT RESPONSIBLE FOR SPECIFYING THIS PRODUCT FOR THE APPLICATION.
3. BUYERS AND/OR USER SHOULD REQUIRE AN ENGINEER FOR ENSURING THAT THE PROPER EQUIPMENT IS INSTALLED FOR THE APPLICATION INCLUDING ALL PROPER SAFETY PRACTICES.
4. PRM IS NOT RESPONSIBLE FOR ANY DAMAGES TO PROPERTY AND/OR INJURY/DEATH RELATED TO IMPROPER INSTALLATION. FILTRATION EQUIPMENT INSTALLATIONS SHOULD ALWAYS INCLUDE ANCILLARY SAFETY DEVICES AND/OR OPERATIONAL PRACTICES.
5. IT IS AGREED THAT PRM NOR ITS OWNERS HAVE LIABILITY WITH THE INSTALLATION AND OPERATION OF THESE OR OTHER PRODUCTS PURCHASED FROM PRM.
6. ALLOW UP TO 1/4" TOLERANCE ON ALL MEASUREMENTS.
7. MODEL LINK: <https://a360.co/3zVF4ka>



Product Recovery Management, Inc.  
This information is proprietary and confidential.  
No part of this document may be reproduced, stored in a retrieval system, or transmitted in any form or by any means, without the express written consent of PRM, Inc.

SHEET TITLE:

PPH #2 SIZE POLYPROPYLENE BAG FILTER HOUSING  
BFHHTF2APF200X

DATE:

03/14/2023

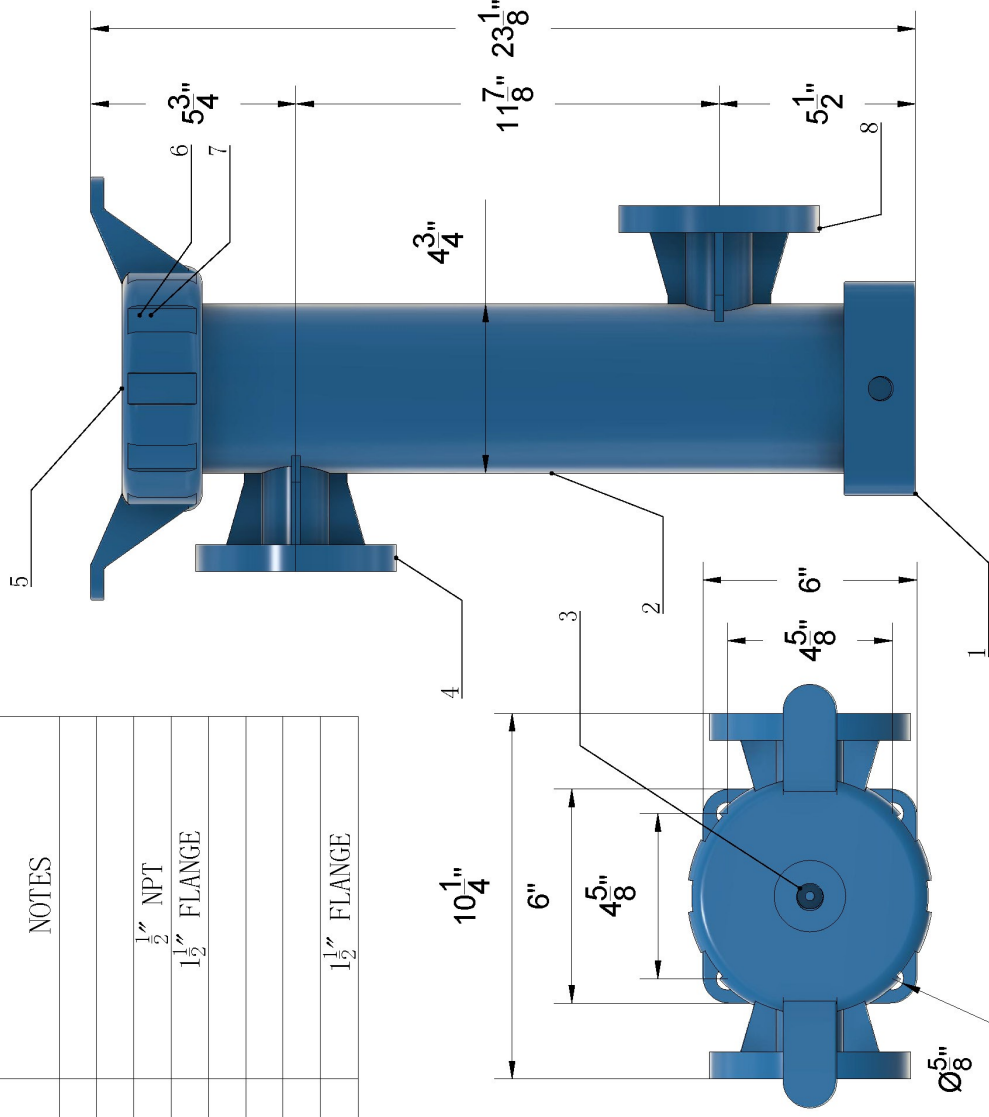
DRAWING NUMBER:

D-1

NO.	ITEM	QTY	MATERIAL	NOTES
1	BASE	1	PPH	
2	SHELL	1	PPH	
3	VENT	1	PPH	1/2" NPT
4	INLET	1	PPH	1 1/2" FLANGE
5	LID	1	PPH	
6	LID INSERT	1	PPH	
7	O-RING	1	VITON	
8	OUTLET	1	PPH	1 1/2" FLANGE

**NOTES:**

1. PRM FILTRATION IS ONLY A SUPPLIER OF THIS EQUIPMENT.
2. PRM IS NOT RESPONSIBLE FOR SPECIFYING THIS PRODUCT FOR THE APPLICATION.
3. BUYERS AND/OR USER SHOULD REQUIRE AN ENGINEER FOR ENSURING THAT THE PROPER EQUIPMENT IS INSTALLED FOR THE APPLICATION INCLUDING ALL PROPER SAFETY PRACTICES.
4. PRM IS NOT RESPONSIBLE FOR ANY DAMAGES TO PROPERTY AND/OR INJURY/DEATH RELATED TO IMPROPER INSTALLATION. FILTRATION EQUIPMENT INSTALLATIONS SHOULD ALWAYS INCLUDE ANCILLARY SAFETY DEVICES AND/OR OPERATIONAL PRACTICES.
5. IT IS AGREED THAT PRM NOR ITS OWNERS HAVE LIABILITY WITH THE INSTALLATION AND OPERATION OF THESE OR OTHER PRODUCTS PURCHASED FROM PRM.
6. ALLOW UP TO 1/4" TOLERANCE ON ALL MEASUREMENTS.
7. MODEL LINK: <https://a360.co/3X9THMo>



Product Recovery Management Inc.  
This drawing is confidential.  
No copies or reproductions allowed without the express written consent of PRM, Inc.

SHEET TITLE: PPH #4 SIZE POLYPROPYLENE BAG FILTER HOUSING  
BFHHT4APF150X

DATE: 06/16/2023

NO. | REVISION | DATE | DRAWING NUMBER  
D-1