

BFHBFM6FCSXV2 - 6 BAG FILTER HOUSING

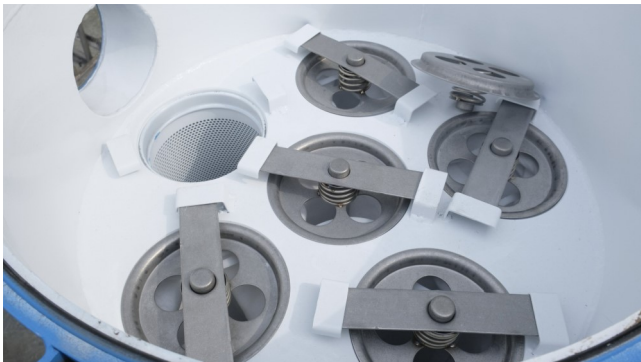


**CARBON STEEL #2 FILTER HOUSING,
MULTIBAG (6 BAG) FILTER HOUSING**

PRM PART NUMBER: BFHBFM6FCSXV2

Specifications:

- 6 Bag Filter housing for remediation and industrial filtration
- Uses (6) #2 Size Liquid Filter Bags
- Heavy Duty Carbon Steel Construction - Epoxy Coated Interior
- 6 Inch Flanged Inlet / Outlet
- 785 GPM Maximum Flow Rate
- 150 PSI Maximum Working Pressure
- Viton® O-rings Standard
- 304 SS Strainer Baskets– Epoxy Coated
- 1 Inch Drain Port
- 1/4 Inch Gauge Port

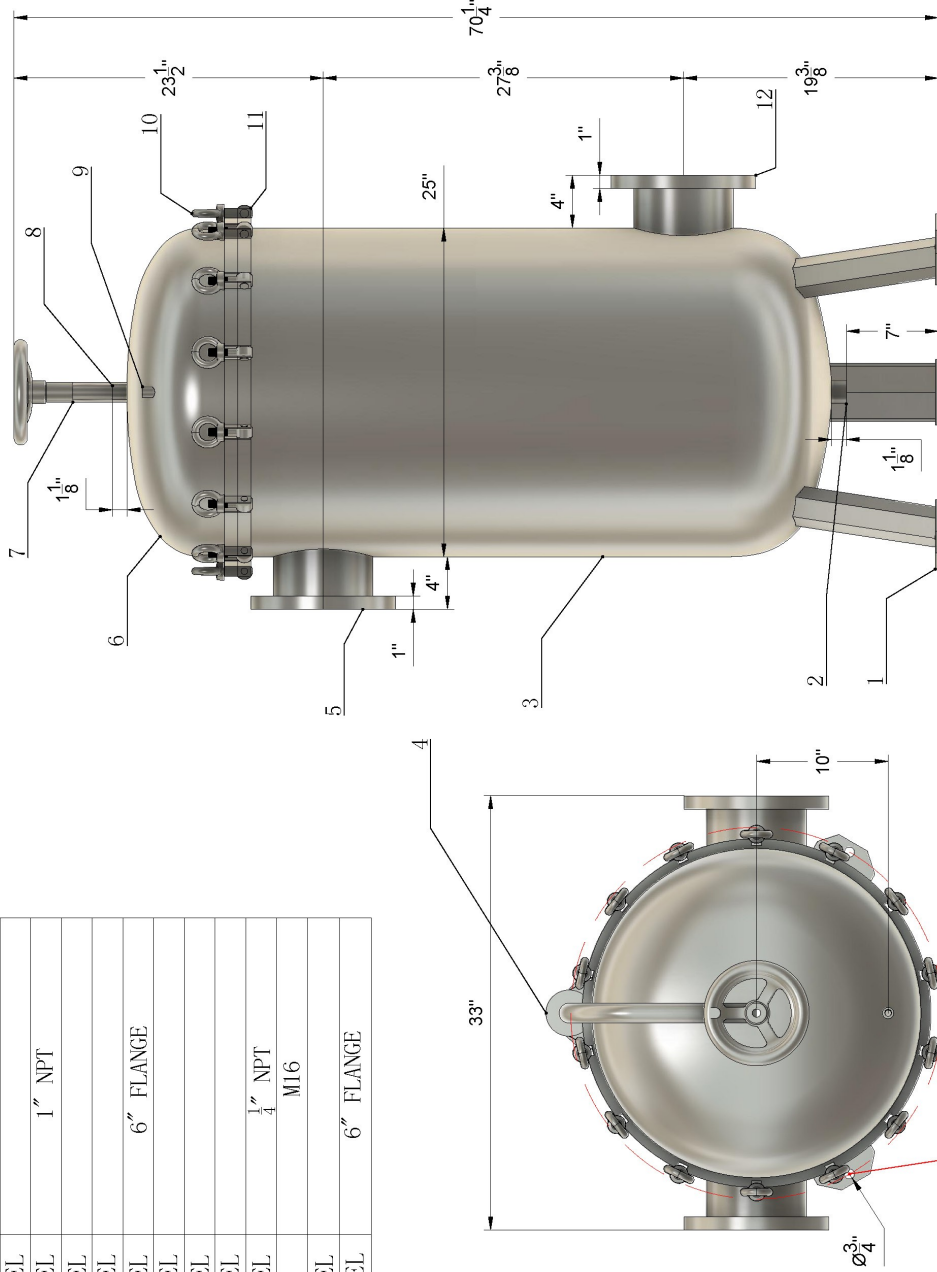


(888-TREAT-IT) • www.prmfiltration.com • sales@prmfiltration.com

NO.	ITEM	QTY	MATERIAL	NOTES
1	LEG	3	CARBON STEEL	
2	DRAIN	1	CARBON STEEL	1" NPT
3	SHELL	1	CARBON STEEL	
4	SUPPORT ARM MOUNT	1	CARBON STEEL	
5	INLET	1	CARBON STEEL	6" FLANGE
6	LID	1	CARBON STEEL	
7	SUPPORT ARM	1	CARBON STEEL	
8	SUPPORT ARM PORT	1	CARBON STEEL	
9	EXHAUST VENT	1	CARBON STEEL	1/4" NPT
10	SWING BOLTS	14	304 SS	M16
11	BRACKETS	14	CARBON STEEL	
12	OUTLET	1	CARBON STEEL	6" FLANGE

NOTES:

1. PRM FILTRATION IS ONLY A SUPPLIER OF THIS EQUIPMENT.
2. PRM IS NOT RESPONSIBLE FOR SPECIFYING THIS PRODUCT FOR THE APPLICATION.
3. BUYERS AND/OR USER SHOULD REQUIRE AN ENGINEER FOR ENSURING THAT THE PROPER EQUIPMENT IS INSTALLED FOR THE APPLICATION INCLUDING ALL PROPER SAFETY PRACTICES.
4. PRM IS NOT RESPONSIBLE FOR ANY DAMAGES TO PROPERTY AND/OR INJURY/DEATH RELATED TO IMPROPER INSTALLATION. FILTRATION EQUIPMENT INSTALLATIONS SHOULD ALWAYS INCLUDE ANCILLARY SAFETY DEVICES AND/OR OPERATIONAL PRACTICES. IT IS AGREED THAT PRM NOR ITS OWNERS HAVE LIABILITY WITH THE INSTALLATION AND OPERATION OF THESE OR OTHER PRODUCTS PURCHASED FROM PRM.
5. ALLOW UP TO 1/4" TOLERANCE ON ALL MEASUREMENTS.
7. MODEL LINK: <https://a360.co/3ErtP2op>



SHEET TITLE

#2 CS 6 BAG FILTER HOUSING
BFHBFM6FCSXV2

DATE

03/14/2023

NO. REVISION

DATE

DRAWING NUMBER

D-1