

4 Bag Housing

Multi Bag Filter Housing for industrial filtration requirements.

Industrial Size Multi-Bag (4 bag) Housing, 316L Stainless Steel. Uses #2 Size Standard Bags. Standard design pressure is 150 PSI max. and design, materials, and construction conform to CE and ASME code.

Features Include:

- 316L Stainless Steel Construction Electropolish Finish
- 2" Tri-Clamp Inlet and Outlet
- EPDM Food Grade O-rings
- 150 psi Maximum Working Pressure
- Stainless Steel Strainer Baskets and Internal Bag Hold Down Support
- Uses (4) #2 Size Filter Bags (7-1/16" Dia. x 32" L)



PRM PART #: BFHBFM4CTRI316LSSXV2

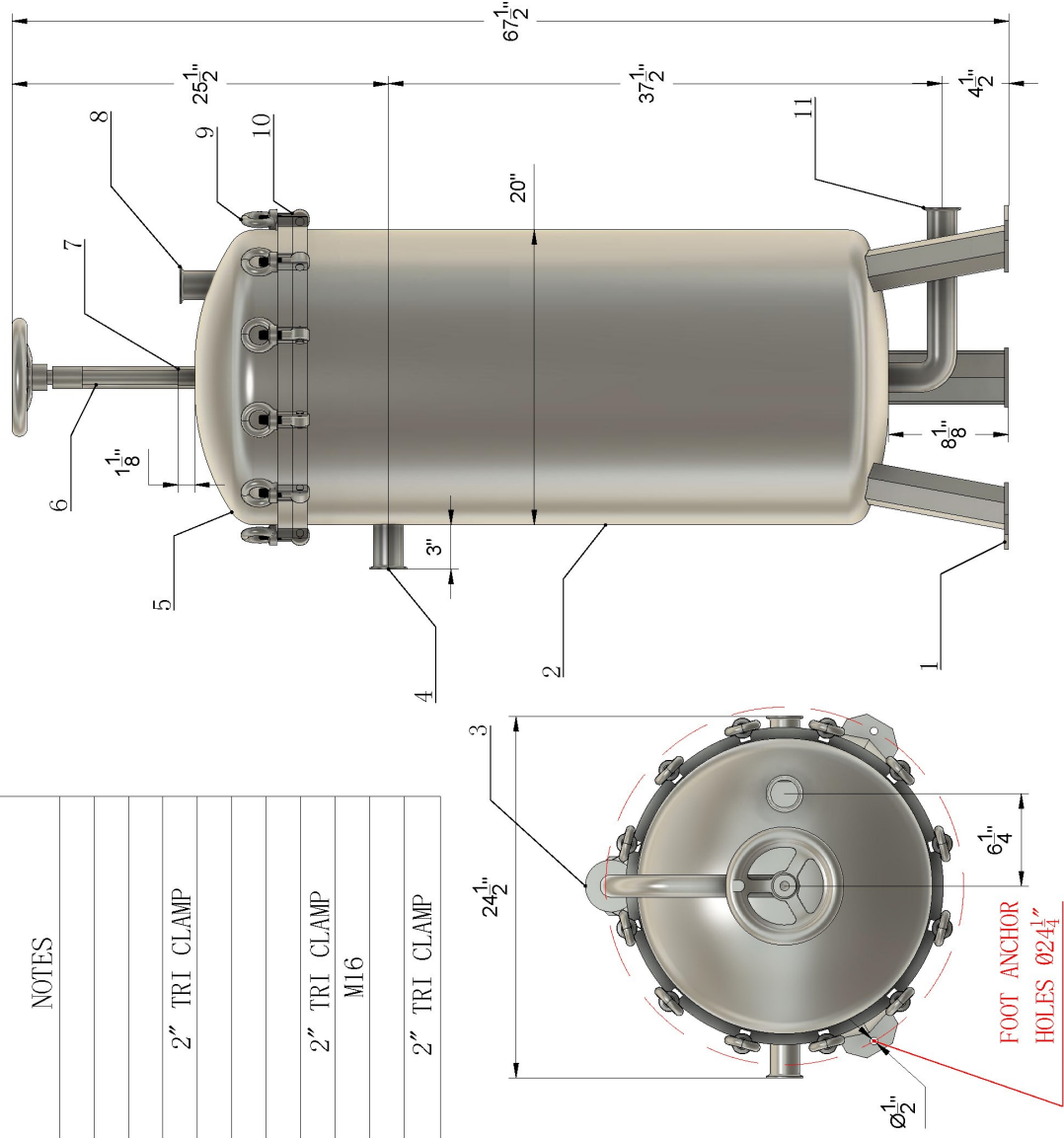
** Options and Services **

- Skid mounting, pre plumbed filter array
- Steel, Stainless Steel, or PVC Piping with Valves
- Custom Integration Into Existing Systems
- 304 Stainless Steel or Carbon Steel Option
- Replacement Bag Filters available in stock

NO.	ITEM	QTY	MATERIAL	NOTES
1	LEG	3	316 SS	
2	SHELL	1	316 SS	
3	SUPPORT ARM MOUNT	1	316 SS	
4	INLET	1	316 SS	2" TRI CLAMP
5	LID	1	316 SS	
6	SUPPORT ARM	1	316 SS	
7	SUPPORT ARM PORT	1	316 SS	
8	EXHAUST VENT	1	316 SS	2" TRI CLAMP
9	SWING BOLTS	12	304 SS	M16
10	BRACKETS	12	316 SS	
11	OUTLET	1	316 SS	2" TRI CLAMP

NOTES:

- PRM FILTRATION IS ONLY A SUPPLIER OF THIS EQUIPMENT.
- PRM IS NOT RESPONSIBLE FOR SPECIFYING THIS PRODUCT FOR THE APPLICATION.
- BUYERS AND/OR USER SHOULD REQUIRE AN ENGINEER FOR ENSURING THAT THE PROPER EQUIPMENT IS INSTALLED FOR THE APPLICATION INCLUDING ALL PROPER SAFETY PRACTICES.
- PRM IS NOT RESPONSIBLE FOR ANY DAMAGES TO PROPERTY AND/OR INJURY/DEATH RELATED TO IMPROPER INSTALLATION. FILTRATION EQUIPMENT INSTALLATIONS SHOULD ALWAYS INCLUDE ANCILLARY SAFETY DEVICES AND/OR OPERATIONAL PRACTICES.
- IT IS AGREED THAT PRM NOR ITS OWNERS HAVE LIABILITY WITH THE INSTALLATION AND OPERATION OF THESE OR OTHER PRODUCTS PURCHASED FROM PRM.
- ALLOW UP TO 1/4" TOLERANCE ON ALL MEASUREMENTS.
- MODEL LINK: <https://a360.co/3Yd17x1>



Product Recovery Management Inc.
This information is proprietary and confidential.
No copies or reproductions allowed without the express written consent of PRM, Inc.

SHEET TITLE

#2 SS 4 BAG FILTER HOUSING
BFHBFM4CTR1316LSSXV2

DATE

03/14/2023

NO. REVISION

DATE

DRAWING NUMBER

D-1