

#2 SS BANDED CLAMP DUAL PORT FILTER HOUSING



Low Pressure Banded Clamp Filter Housing, #2 Size, 304 Stainless Steel.

Industrial Filter Housings provide excellent filtration in both industrial and chemical applications.

Standard design pressure 100 PSI maximum, design, materials, and construction conform to CE and ASME code.

Typical Features Include:

- 304 Stainless Steel Construction
- Trade Size # 2 Housing (8 x 30)
- 2 Inch NPT Inlet and Outlet Connections, Dual Port features outlets on the side and on the bottom for multiple piping options.
- 304 SS NPT End Plug Included to Close Off Outlet Not Being Used
- 100 GPM Flow Rate
- Viton® O-rings standard
- 100 psig Maximum Working Pressure
- Operating Temperature: normal range of 50°F - 90°F. Variance outside of this temperature range will affect maximum operating pressure rating. Liquids operating at elevated temperatures pose a risk of burns.
- Stainless Steel Strainer Basket and Internal Bag Support Rack
- Drain Port and Mounting Stand
- Quick Opening Clamp Top



PRM PART #: BFHBFL2DX

** Options and Services **

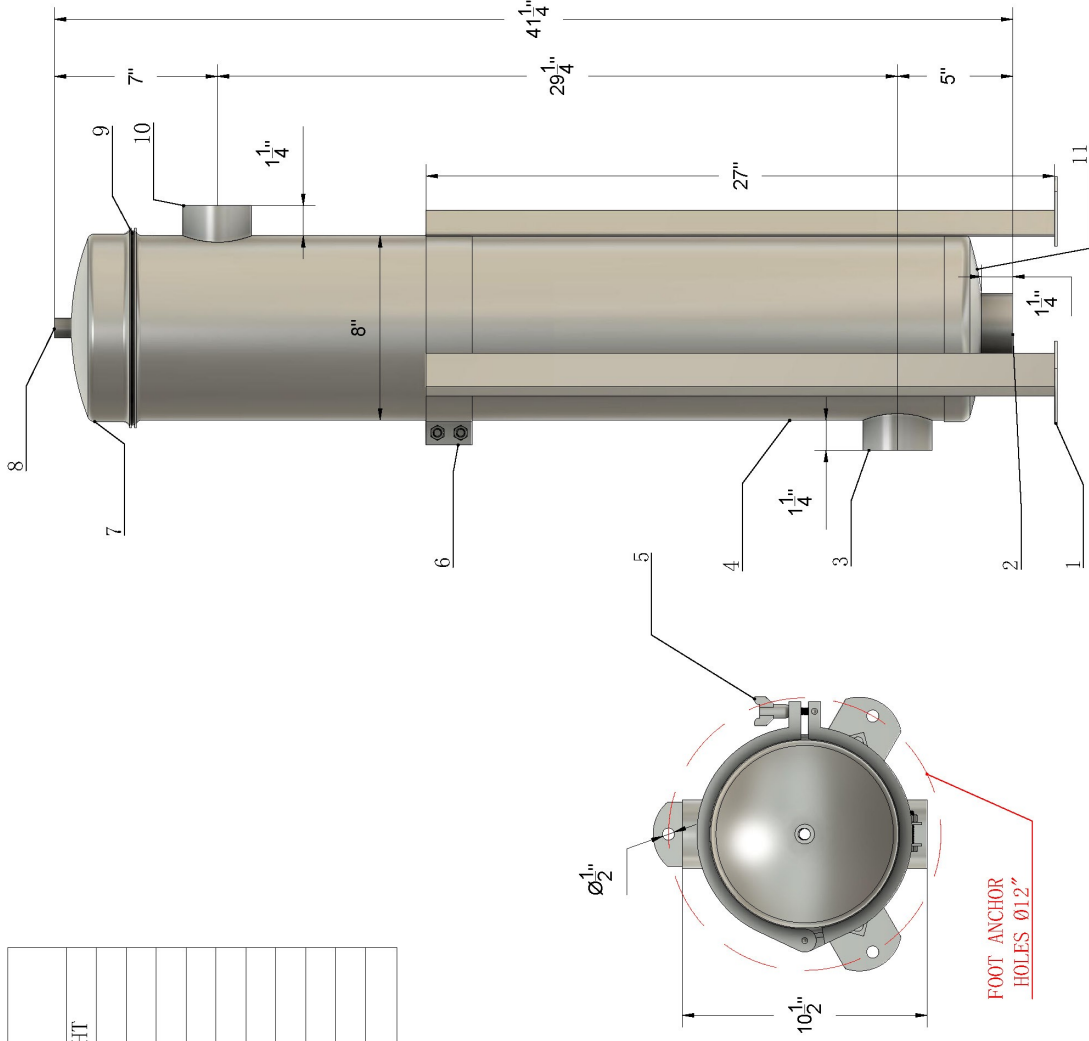
- Skid mounting, pre plumbed filter array
- Steel, Stainless Steel, or PVC Piping with Valves
- Custom Integration Into Existing Systems
- Replacement Bag Filters available in stock – Uses 7-1/16" dia x 32" L #2 Size Filter Bags

888-TREAT-IT • www.prmfiltration.com • sales@prmfiltration.com

NO.	ITEM	QTY	MATERIAL	NOTES
1	LEG	3	304 SS	ADJUSTABLE HEIGHT
2	DRAIN	1	304 SS	2" NPT
3	OUTLET	1	304 SS	2" NPT
4	SHELL	1	304 SS	
5	LID CLAMP	1	304 SS	
6	SHELL CLAMP	1	304 SS	
7	TOP HEAD	1	304 SS	
8	EXHAUST VENT	1	304 SS	1" NPT
9	O-RING	1	VITON	
10	INLET	1	304 SS	2" NPT
11	BOTTOM HEAD	1	304 SS	

NOTES:

1. PRM FILTRATION IS ONLY A SUPPLIER OF THIS EQUIPMENT.
2. PRM IS NOT RESPONSIBLE FOR SPECIFYING THIS PRODUCT FOR THE APPLICATION.
3. BUYERS AND/OR USER SHOULD REQUIRE AN ENGINEER FOR ENSURING THAT THE PROPER EQUIPMENT IS INSTALLED FOR THE APPLICATION INCLUDING ALL PROPER SAFETY PRACTICES.
4. PRM IS NOT RESPONSIBLE FOR ANY DAMAGES TO PROPERTY AND/OR INJURY/DEATH RELATED TO IMPROPER INSTALLATION. FILTRATION EQUIPMENT INSTALLATIONS SHOULD ALWAYS INCLUDE ANCILLARY SAFETY DEVICES AND/OR OPERATIONAL PRACTICES.
5. IT IS AGREED THAT PRM NOR ITS OWNERS HAVE LIABILITY WITH THE INSTALLATION AND OPERATION OF THESE OR OTHER PRODUCTS PURCHASED FROM PRM.
6. ALLOW UP TO 1/4" TOLERANCE ON ALL MEASUREMENTS.
7. MODEL LINK: <https://a360.co/3zP0bmW>



	Product Recovery Management Inc. This information is proprietary and confidential. No copies or reproductions allowed without the express written consent of PRM, Inc.	SHEET TITLE #2 SS BANDED CLAMP DUAL PORT FILTER HOUSING BFHBF2DX	DATE 03/14/2023	DRAWING NUMBER D-1
	NO. REVISION DATE			