

## #2 316SS Bolt Plate Flanged Bag Filter Housing



PRM provides a 316 stainless steel bag filter housing for high pressure (<150 psi) applications in remediation and industrial filtration projects.

### Standard Features:

- 316 Stainless Steel Construction
- Trade Size # 2 Housing
- 2 Inch Flanged Inlet and Outlet Connections
- 100 GPM Flow Rate
- FKM (Viton) O-rings
- 150 psi Maximum Working Pressure
- Stainless Steel Strainer Basket
- Adjustable Mounting Stand
- 1 Inch Bottom Drain Port
- 1/4 Inch Top Port for Gauge or Relief Valve



PRM PART #: BFHBFH2SS316XV2

### \*\* Options and Services \*\*

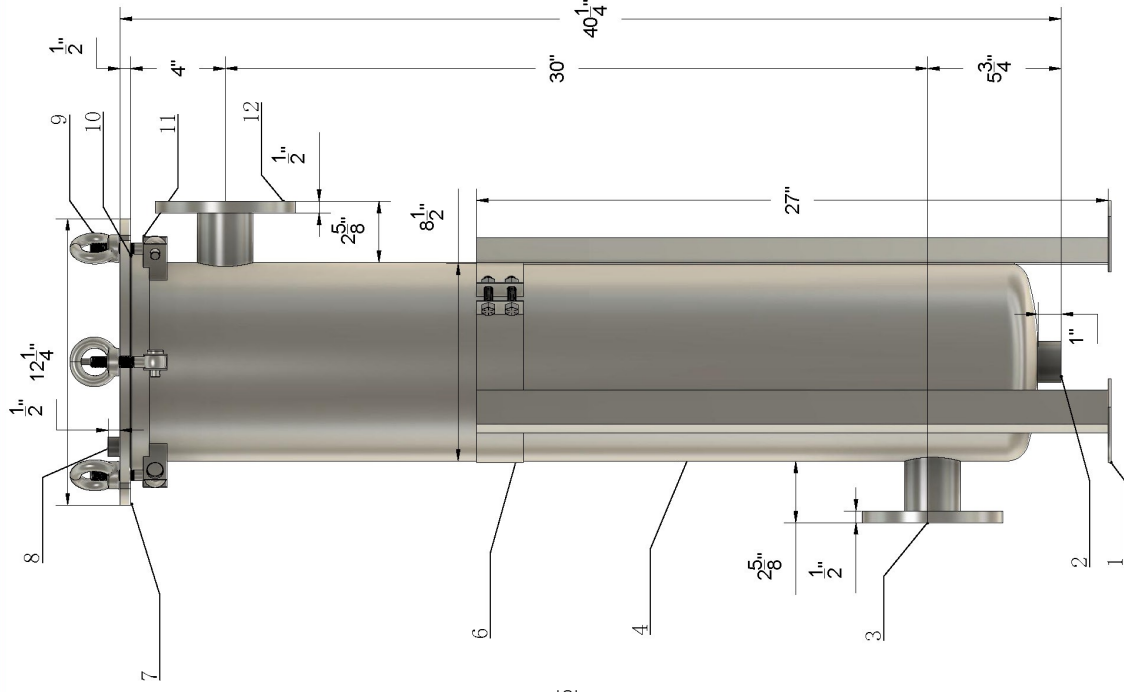
- Skid mounting, pre plumbed filter array
- Steel, Stainless Steel, or PVC Piping w/Valves
- Custom Integration Into Existing Systems
- Field Installation, Startup and Maintenance
- Replacement Bag Filters available in stock

888-TREAT-IT • [www.prmfiltration.com](http://www.prmfiltration.com) • [sales@prmfiltration.com](mailto:sales@prmfiltration.com)

NO.	ITEM	QTY	MATERIAL	NOTES
1	LEG	3	316 SS	ADJUSTABLE HEIGHT
2	DRAIN	1	316 SS	1" NPT
3	OUTLET	1	316 SS	2" FLANGE
4	SHELL	1	316 SS	
5	HANDLE	1	316 SS	
6	SHELL CLAMP	1	316 SS	
7	LID	1	316 SS	
8	EXHAUST VENT	1	316 SS	1" NPT
9	SWING BOLTS	6	316 SS	M12
10	O-RING	1	VITON	
11	BRACKETS	6	316 SS	
12	INLET	1	316 SS	2" FLANGE

NOTES:

- PRM FILTRATION IS ONLY A SUPPLIER OF THIS EQUIPMENT.
- PRM IS NOT RESPONSIBLE FOR SPECIFYING THIS PRODUCT FOR THE APPLICATION.
- BUYERS AND/OR USER SHOULD REQUIRE AN ENGINEER FOR ENSURING THAT THE PROPER EQUIPMENT IS INSTALLED FOR THE APPLICATION INCLUDING ALL PROPER SAFETY PRACTICES.
- PRM IS NOT RESPONSIBLE FOR ANY DAMAGES TO PROPERTY AND/OR INJURY/DEATH RELATED TO IMPROPER INSTALLATION. FILTRATION EQUIPMENT INSTALLATIONS SHOULD ALWAYS INCLUDE ANCILLARY SAFETY DEVICES AND/OR OPERATIONAL PRACTICES.
- IT IS AGREED THAT PRM NOR ITS OWNERS HAVE LIABILITY WITH THE INSTALLATION AND OPERATION OF THESE OR OTHER PRODUCTS PURCHASED FROM PRM.
- ALLOW UP TO 1/4" TOLERANCE ON ALL MEASUREMENTS.
- MODEL LINK: <https://a360.co/3Y09tvb>



FOOT ANCHOR HOLES Ø1.2"



Product Recovery Management Inc.  
This information is proprietary and confidential.  
No copies or reproductions allowed without the express written consent of PRM, Inc.

SHEET TITLE

#2 316 SS SINGLE BAG HOUSING  
BFHBFH2SS316XV2

DATE

03/14/2023

DRAWING NUMBER

D-1

NO. REVISION

DATE