

#2 High Pressure Bolt Plate Tri-Clamp Bag Filter Housing



PRM provides a 316L stainless steel bag filter housing with tri-clamp connections for sanitary filtration applications.

Standard Features:

- 316L Stainless Steel Housing
- Trade Size # 2
- 2 Inch Tri-Clamp Inlet and Outlet Connections
- 100 GPM Flow Rate
- EPDM O-rings Standard
- 150 psi Maximum Working Pressure
- Stainless Steel Strainer Basket
- Adjustable Mounting Stand
- 1/2 Inch Tri-Clamp Bottom Drain Port
- 1/2 Inch Tri-Clamp Top Port for Gauge or Relief Valve
- Uses #2 Size Liquid Filter Bags (7-1/16" Dia x 32" L, Sold Separately)



** Options and Services **

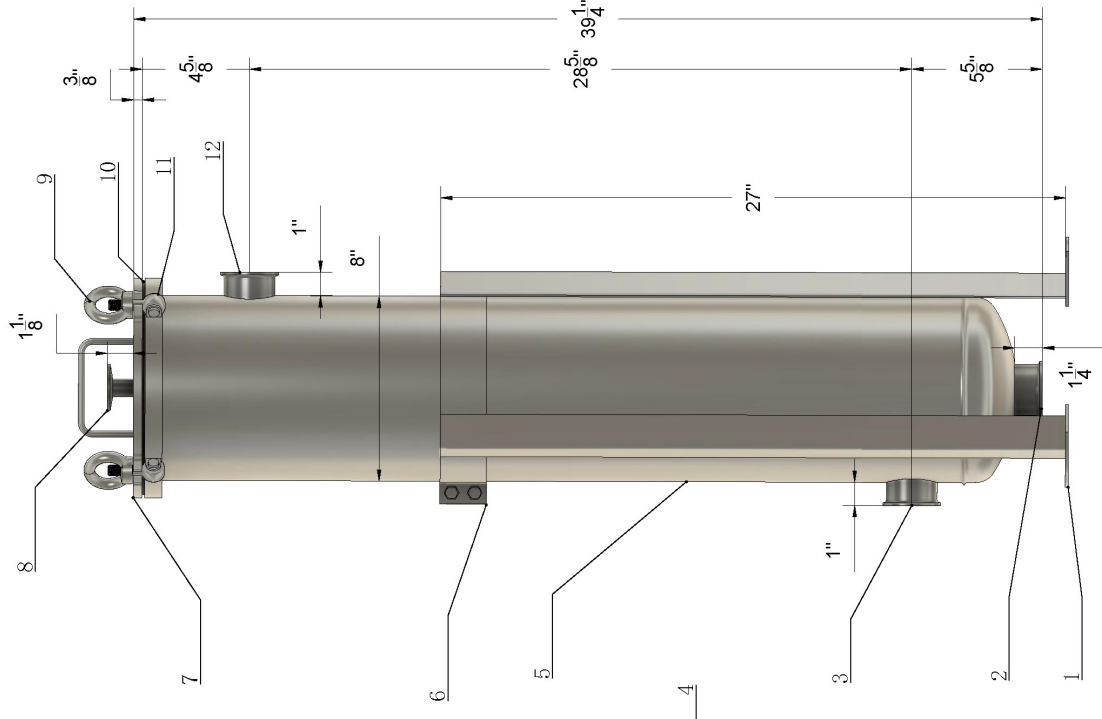
- Skid mounting, pre plumbed filter array
- Steel, Stainless Steel, or PVC Piping w/Valves
- Custom Integration Into Existing Systems
- Field Installation, Startup and Maintenance
- Replacement Bag Filters available in stock

888-TREAT-IT • www.prmfiltration.com • sales@prmfiltration.com

NO.	ITEM	QTY	MATERIAL	NOTES
1	LEG	3	316 SS	ADJUSTABLE HEIGHT
2	DRAIN	1	316 SS	2" TRI CLAMP
3	OUTLET	1	316 SS	2" TRI CLAMP
4	HANDLE	1	316 SS	
5	SHELL	1	316 SS	
6	SHELL CLAMP	1	316 SS	
7	LID	1	316 SS	
8	EXHAUST VENT	1	316 SS	1" TRI CLAMP
9	SWING BOLTS	4	316 SS	M12
10	O-RING	1	EPDM	
11	BRACKETS	4	316 SS	
12	INLET	1	316 SS	2" TRI CLAMP

NOTES:

- PRM FILTRATION IS ONLY A SUPPLIER OF THIS EQUIPMENT.
- PRM IS NOT RESPONSIBLE FOR SPECIFYING THIS PRODUCT FOR THE APPLICATION.
- BUYERS AND/OR USER SHOULD REQUIRE AN ENGINEER FOR ENSURING THAT THE PROPER EQUIPMENT IS INSTALLED FOR THE APPLICATION INCLUDING ALL PROPER SAFETY PRACTICES.
- PRM IS NOT RESPONSIBLE FOR ANY DAMAGES TO PROPERTY AND/OR INJURY/DEATH RELATED TO IMPROPER INSTALLATION. FILTRATION EQUIPMENT INSTALLATIONS SHOULD ALWAYS INCLUDE ANCILLARY SAFETY DEVICES AND/OR OPERATIONAL PRACTICES.
- IT IS AGREED THAT PRM NOR ITS OWNERS HAVE LIABILITY WITH THE INSTALLATION AND OPERATION OF THESE OR OTHER PRODUCTS PURCHASED FROM PRM.
- ALLOW UP TO 1/4" TOLERANCE ON ALL MEASUREMENTS.
- MODEL LINK: <https://a360.co/3kaxH5u>



	Product Recovery Management Inc. This information is proprietary and confidential. It is not to be distributed without the express written consent of PRM, Inc.	SHEET TITLE #2 316 SS SINGLE BAG HOUSING BFHBFH2SS316LTRIXV2	DATE 03/14/2023	NO. REVISION DATE	DRAWING NUMBER D-1
	(Empty revision table)				