

#1 CARBON STEEL FILTER HOUSING



Bolt Plate # 1 Industry Size Carbon Steel Filter Housing. Industrial Filter Housings provide excellent filtration in both industrial and chemical applications.

Standard design pressure 150 PSI maximum, design, materials, and construction conform to CE and ASME code.

Typical Features Include:

- Carbon Steel Construction
- Trade Size # 1 Housing (7 x 16)
- 2 Inch NPT Inlet and Outlet Connections
- Dual Outlet Configuration on the Side and Bottom for Flexibility in Piping Options.
- 304 SS NPT End Plug Included to Close Off Outlet Not Being Used
- 75 GPM Flow Rate
- FKM (Viton) O-rings standard
- 150 psig Maximum Working Pressure
- Stainless Steel Strainer Basket and Internal Bag Support Rack
- Mounting Stand
- Epoxy Coated
- Safety Release Vent for Maintenance



PRM PART #: BFHBFH1DCSX

**** Options and Services ****

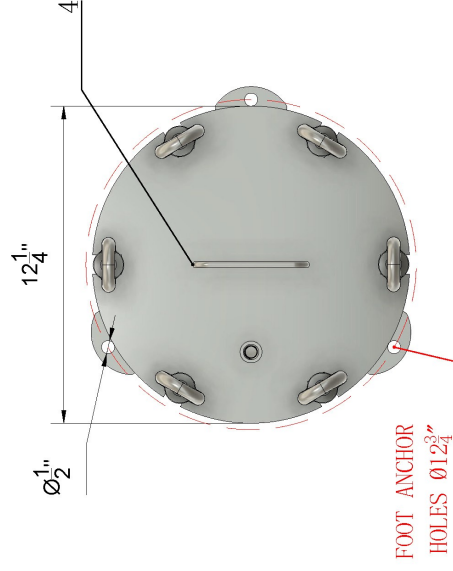
- Skid mounting, pre plumbed filter array
- Steel, Stainless Steel, or PVC Piping with Valves
- Custom Integration Into Existing Systems
- Replacement Bag Filters available in stock

888-TREAT-IT • www.prmfiltration.com • sales@prmfiltration.com

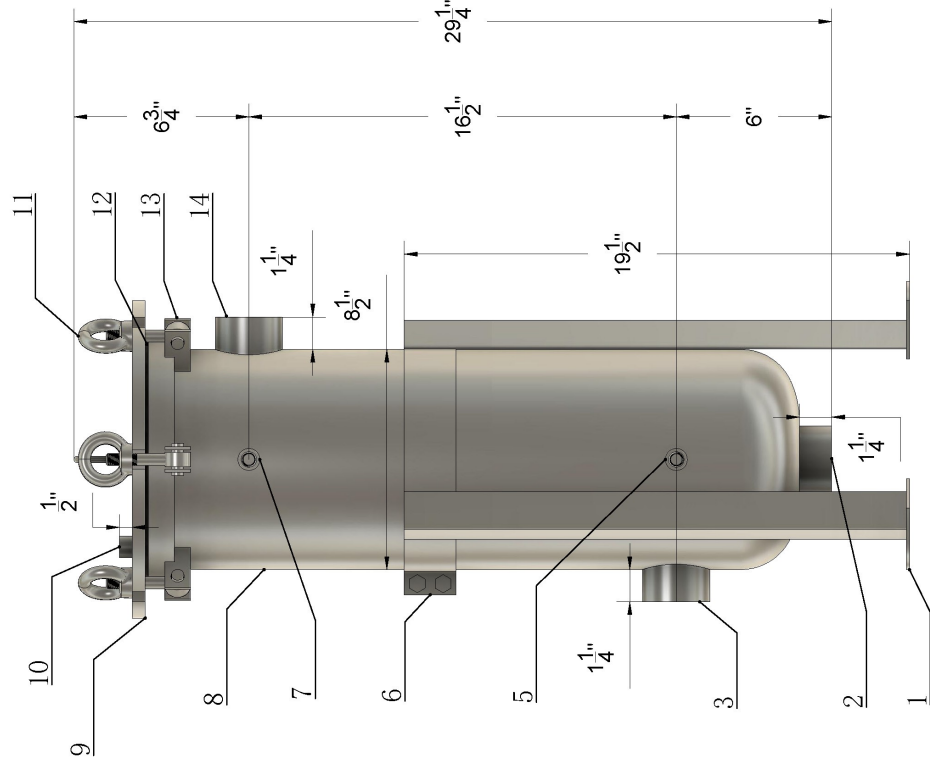
| NO. | ITEM | QTY. | MATERIAL | NOTES |
|-----|----------------------|------|--------------|-------------------|
| 1 | LEGS | 3 | CARBON STEEL | ADJUSTABLE HEIGHT |
| 2 | DRAIN | 1 | CARBON STEEL | 2" NPT |
| 3 | OUTLET | 1 | CARBON STEEL | 2" NPT |
| 4 | HANDLE | 1 | CARBON STEEL | |
| 5 | OUTLET PRESSURE PORT | 1 | CARBON STEEL | 1/4" NPT |
| 6 | SHELL CLAMP | 1 | CARBON STEEL | |
| 7 | INLET PRESSURE PORT | 1 | CARBON STEEL | 1/4" NPT |
| 8 | SHELL | 1 | CARBON STEEL | |
| 9 | LID | 1 | CARBON STEEL | |
| 10 | VENT | 1 | CARBON STEEL | 1/4" NPT |
| 11 | SWING BOLTS | 6 | 304 SS | M12 |
| 12 | O-RING | 1 | VITON | |
| 13 | BRACKETS | 6 | 304 SS | M12 |
| 14 | INLET | 1 | CARBON STEEL | 2" NPT |

NOTES:

- PRM FILTRATION IS ONLY A SUPPLIER OF THIS EQUIPMENT.
- PRM IS NOT RESPONSIBLE FOR SPECIFYING THIS PRODUCT FOR THE APPLICATION.
- BUYERS AND/OR USER SHOULD REQUIRE AN ENGINEER FOR ENSURING THAT THE PROPER EQUIPMENT IS INSTALLED FOR THE APPLICATION INCLUDING ALL PROPER SAFETY PRACTICES.
- PROPERTY AND/OR INJURY/DEATH RELATED TO IMPROPER INSTALLATION. FILTRATION EQUIPMENT INSTALLATIONS SHOULD ALWAYS INCLUDE ANCILLARY SAFETY DEVICES AND/OR OPERATIONAL PRACTICES.
- IT IS AGREED THAT PRM NOR ITS OWNERS HAVE LIABILITY WITH THE INSTALLATION AND OPERATION OF THESE OR OTHER PRODUCTS PURCHASED FROM PRM.
- ALLOW UP TO 1/8" TOLERANCE ON ALL MEASUREMENTS.
- MODEL LINK: <https://a360.co/3PM0EBS>



FOOT ANCHOR
HOLES Ø1 1/2"



SHEET TITLE

#1 CS SINGLE BAG HOUSING
BFHBFH1DCSX

DATE
07/10/2023

NO. REVISION
DATE
DRAWING NUMBER
D-1



Product Recovery Management Inc.
This information is proprietary and confidential.
No copies or reproductions allowed without the
express written consent of PRM, Inc.