

#4 Low Pressure Banded Bag Filter Housing



PRM provides #4 size stainless steel bag filter housings for low pressure (<100 psi) applications in remediation and industrial filtration projects.

Standard Features:

- 304 Stainless Steel Construction
- Trade Size # 4 Housing
- **BFHBFL4DX**—1 Inch NPT Inlet / Outlet or **BFHBFL4D2X**— 2 Inch NPT Inlet / Outlet
- 304SS NPT plug to close off outlet not being used.
- 40 GPM Flow Rate
- Viton® O-rings Standard
- 100 psi Maximum Working Pressure
- Stainless Steel Strainer Basket and Internal Bag Support Coil
- Adjustable Mounting Stand
- 1/4 Inch Top Port for Gauge or Relief Valve
- Uses Industry Size #4 Bags (4" dia x 14" L)



** Options and Services **

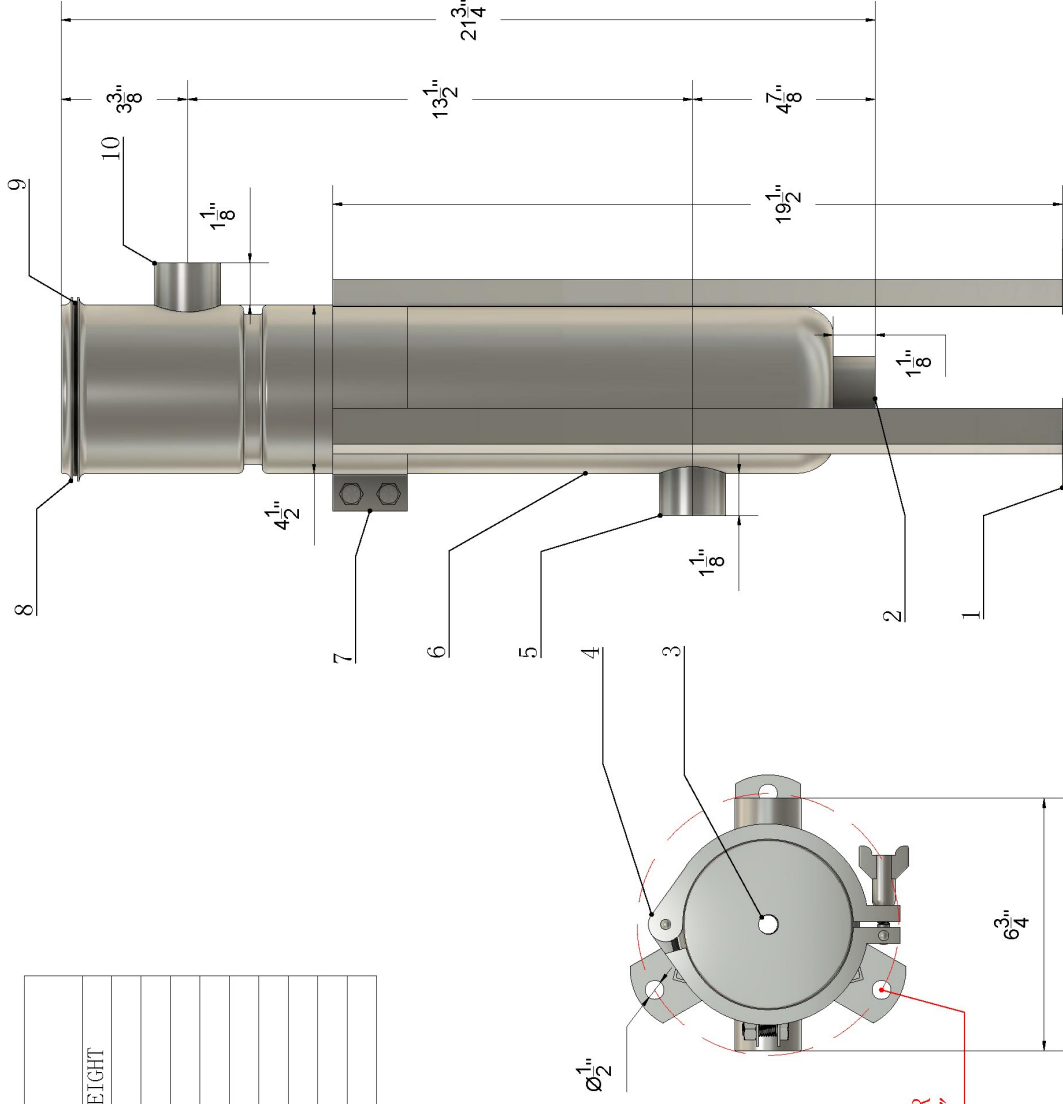
- Skid mounting, pre plumbed filter arrays
- Steel, Stainless Steel, or PVC Piping w/Valves
- Custom Integration Into Existing Systems
- Field Installation, Startup and Maintenance
- Replacement Bag Filters available in stock

888-TREAT-IT • www.prmfiltration.com • sales@prmfiltration.com

NO.	ITEM	QTY	MATERIAL	NOTES
1	LEG	3	304 SS	ADJUSTABLE HEIGHT
2	DRAIN	1	304 SS	1" NPT
3	EXHAUST VENT	1	304 SS	1/4" NPT
4	LID CLAMP	1	304 SS	
5	OUTLET	1	304 SS	1" NPT
6	SHELL	1	304 SS	
7	SHELL CLAMP	1	304 SS	
8	TOP HEAD	1	304 SS	
9	O-RING	1	VITON	
10	INLET	1	304 SS	1" NPT

NOTES:

1. PRM FILTRATION IS ONLY A SUPPLIER OF THIS EQUIPMENT.
2. PRM IS NOT RESPONSIBLE FOR SPECIFYING THIS PRODUCT FOR THE APPLICATION.
3. BUYERS AND/OR USER SHOULD REQUIRE AN ENGINEER FOR ENSURING THAT THE PROPER EQUIPMENT IS INSTALLED FOR THE APPLICATION INCLUDING ALL PROPER SAFETY PRACTICES.
4. PRM IS NOT RESPONSIBLE FOR ANY DAMAGES TO PROPERTY AND/OR INJURY/DEATH RELATED TO IMPROPER INSTALLATION. FILTRATION EQUIPMENT INSTALLATIONS SHOULD ALWAYS INCLUDE ANCILLARY SAFETY DEVICES AND/OR OPERATIONAL PRACTICES.
5. IT IS AGREED THAT PRM NOR ITS OWNERS HAVE LIABILITY WITH THE INSTALLATION AND OPERATION OF THESE OR OTHER PRODUCTS PURCHASED FROM PRM.
6. ALLOW UP TO 1/4" TOLERANCE ON ALL MEASUREMENTS.
7. MODEL LINK: <https://a360.co/3qcJqcc>

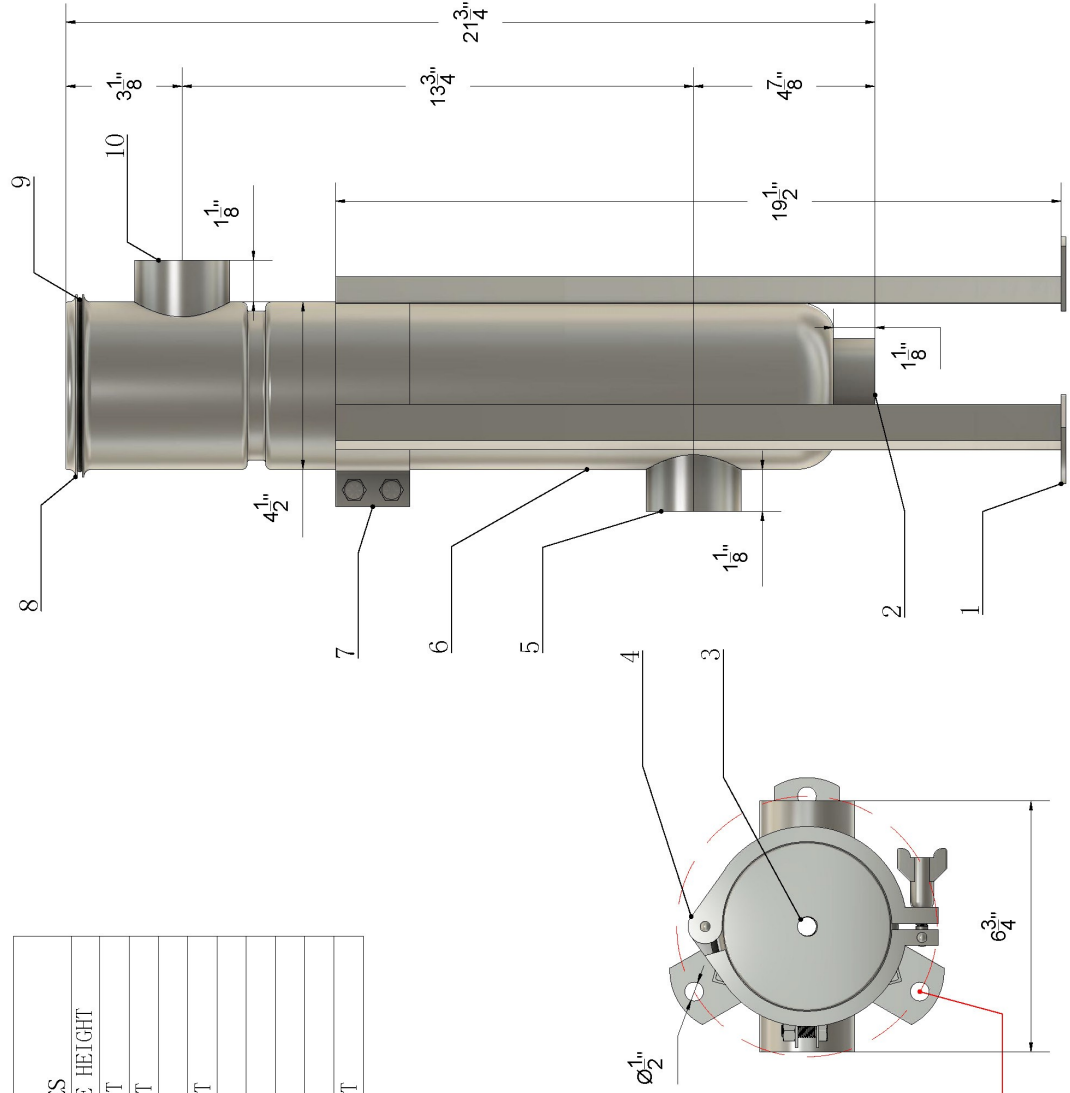


FOOT ANCHOR HOLES Ø 1/2"

NO.	ITEM	QTY	MATERIAL	NOTES
1	LEG	3	304 SS	ADJUSTABLE HEIGHT
2	DRAIN	1	304 SS	2" NPT
3	EXHAUST VENT	1	304 SS	1/4" NPT
4	LID CLAMP	1	304 SS	
5	OUTLET	1	304 SS	2" NPT
6	SHELL	1	304 SS	
7	SHELL CLAMP	1	304 SS	
8	TOP HEAD	1	304 SS	
9	O-RING	1	VITON	
10	INLET	1	304 SS	2" NPT

NOTES:

- PRM FILTRATION IS ONLY A SUPPLIER OF THIS EQUIPMENT.
- PRM IS NOT RESPONSIBLE FOR SPECIFYING THIS PRODUCT FOR THE APPLICATION.
- BUYERS AND/OR USER SHOULD REQUIRE AN ENGINEER FOR ENSURING THAT THE PROPER EQUIPMENT IS INSTALLED FOR THE APPLICATION INCLUDING ALL PROPER SAFETY PRACTICES.
- PRM IS NOT RESPONSIBLE FOR ANY DAMAGES TO PROPERTY AND/OR INJURY/DEATH RELATED TO IMPROPER INSTALLATION. FILTRATION EQUIPMENT INSTALLATIONS SHOULD ALWAYS INCLUDE ANCILLARY SAFETY DEVICES AND/OR OPERATIONAL PRACTICES.
- IT IS AGREED THAT PRM NOR ITS OWNERS HAVE LIABILITY WITH THE INSTALLATION AND OPERATION OF THESE OR OTHER PRODUCTS PURCHASED FROM PRM.
- ALLOW UP TO 1/4" TOLERANCE ON ALL MEASUREMENTS.
- MODEL LINK: <https://a360.co/3B0UDMq>



SHEET TITLE

Product Recovery Management Inc.
This information is proprietary and confidential.
No copies or reproductions allowed without the express written consent of PRM, Inc.



#4 SS LOW PRESSURE 2" I/O FILTER HOUSING
BFHBF4D2X

DATE: 05/25/2023

NO.	REVISION	DATE

DRAWING NUMBER: D-1