

## #4 High Pressure Bolt Plate Bag Filter Housing



PRM provides #4 size stainless steel bag filter housings for high pressure (<150 psi) applications in remediation and industrial filtration projects.

### Standard Features:

- 304 Stainless Steel Construction
- Trade Size # 4 Housing
- 1 Inch (standard) or 2 Inch (optional) NPT Inlet and Outlet Connections
- Dual Port Outlet on Side and Bottom, comes with 304 SS End Plug to seal off outlet not being used
- 40 GPM Flow Rate
- Viton® O-rings Standard
- 150 psi Maximum Working Pressure
- Stainless Steel Strainer Basket and Internal Bag Support Rack
- Adjustable Mounting Stand
- 1/4 Inch Top Port for Gauge or Relief Valve
- Uses Industry Size #4 Bags (4" dia x 14" L)



| PRM PART NUMBER | DESCRIPTION         |
|-----------------|---------------------|
| BFHBHL4DX       | 1 Inch Inlet/Outlet |
| BFHBHL4D2X      | 2 Inch Inlet/Outlet |

### \*\* Options and Services \*\*

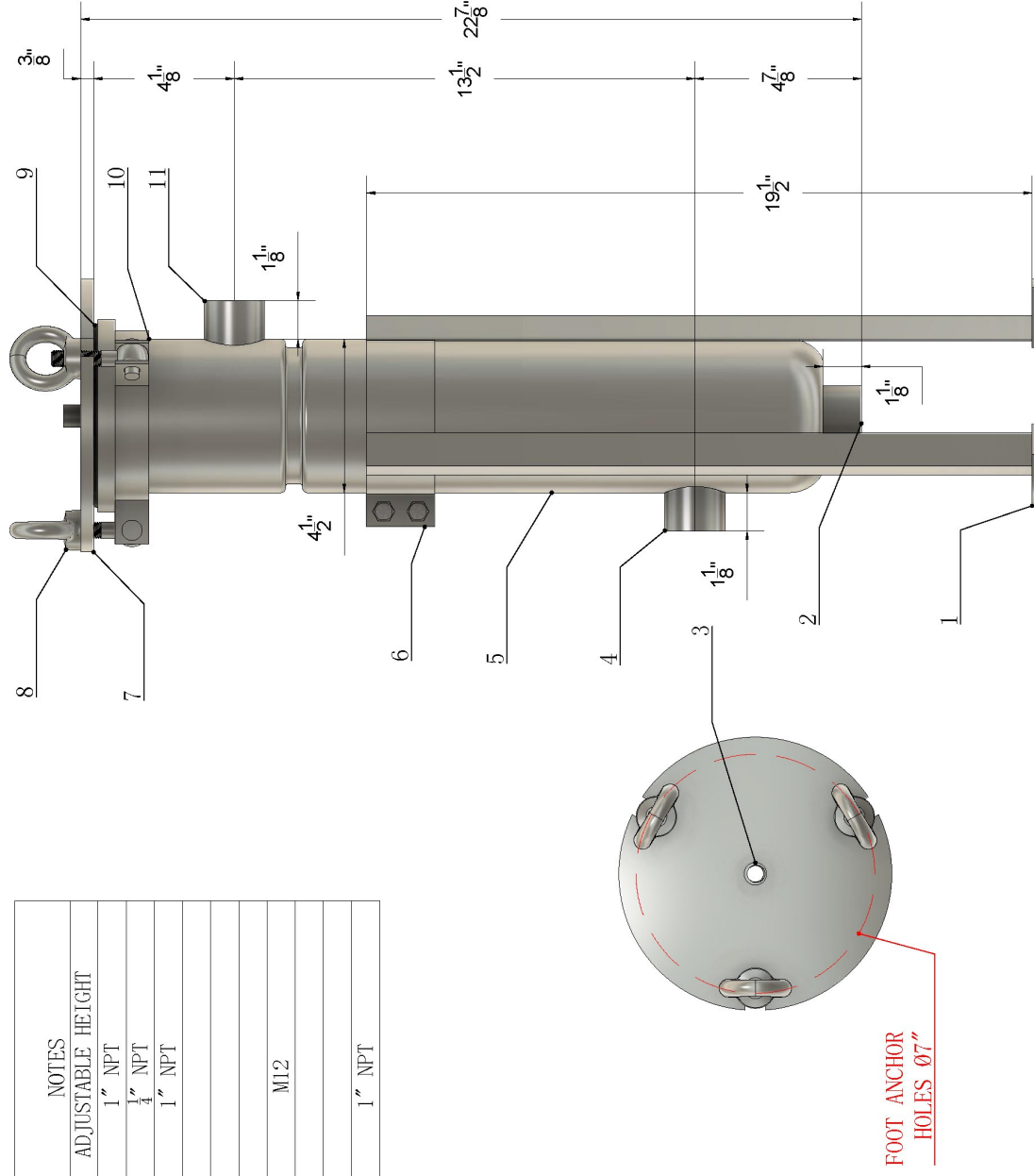
- Skid mounting, pre plumbed filter arrays
- Steel, Stainless Steel, or PVC Piping w/Valves
- Custom Integration Into Existing Systems
- Field Installation, Startup and Maintenance
- Replacement Bag Filters available in stock

888-TREAT-IT • [www.prmfiltration.com](http://www.prmfiltration.com) • [sales@prmfiltration.com](mailto:sales@prmfiltration.com)

| NO. | ITEM         | QTY | MATERIAL | NOTES             |
|-----|--------------|-----|----------|-------------------|
| 1   | LEG          | 3   | 304 SS   | ADJUSTABLE HEIGHT |
| 2   | DRAIN        | 1   | 304 SS   | 1" NPT            |
| 3   | EXHAUST VENT | 1   | 304 SS   | 1/4" NPT          |
| 4   | OUTLET       | 1   | 304 SS   | 1" NPT            |
| 5   | SHELL        | 1   | 304 SS   |                   |
| 6   | SHELL CLAMP  | 1   | 304 SS   |                   |
| 7   | LID          | 1   | 304 SS   |                   |
| 8   | SWING BOLTS  | 3   | 304 SS   | M12               |
| 9   | O-RING       | 1   | VITON    |                   |
| 10  | BRACKETS     | 3   | 304 SS   |                   |
| 11  | INLET        | 1   | 304 SS   | 1" NPT            |

NOTES:

- PRM FILTRATION IS ONLY A SUPPLIER OF THIS EQUIPMENT.
- PRM IS NOT RESPONSIBLE FOR SPECIFYING THIS PRODUCT FOR THE APPLICATION.
- BUYERS AND/OR USER SHOULD REQUIRE AN ENGINEER FOR ENSURING THAT THE PROPER EQUIPMENT IS INSTALLED FOR THE APPLICATION INCLUDING ALL PROPER SAFETY PRACTICES.
- PRM IS NOT RESPONSIBLE FOR ANY DAMAGES TO PROPERTY AND/OR INJURY/DEATH RELATED TO IMPROPER INSTALLATION. FILTRATION EQUIPMENT INSTALLATIONS SHOULD ALWAYS INCLUDE ANCILLARY SAFETY DEVICES AND/OR OPERATIONAL PRACTICES.
- IT IS AGREED THAT PRM NOR ITS OWNERS HAVE LIABILITY WITH THE INSTALLATION AND OPERATION OF THESE OR OTHER PRODUCTS PURCHASED FROM PRM.
- ALLOW UP TO 1/4" TOLERANCE ON ALL MEASUREMENTS.
- MODEL LINK: <https://a360.co/45o8tCZ>



| NO. | ITEM         | QTY | MATERIAL | NOTES             |
|-----|--------------|-----|----------|-------------------|
| 1   | LEG          | 3   | 304 SS   | ADJUSTABLE HEIGHT |
| 2   | DRAIN        | 1   | 304 SS   | 2" NPT            |
| 3   | EXHAUST VENT | 1   | 304 SS   | 1" NPT            |
| 4   | OUTLET       | 1   | 304 SS   | 2" NPT            |
| 5   | SHELL        | 1   | 304 SS   |                   |
| 6   | SHELL CLAMP  | 1   | 304 SS   |                   |
| 7   | LID          | 1   | 304 SS   |                   |
| 8   | SWING BOLTS  | 3   | 304 SS   | M12               |
| 9   | O-RING       | 1   | VITON    |                   |
| 10  | BRACKETS     | 3   | 304 SS   |                   |
| 11  | INLET        | 1   | 304 SS   | 2" NPT            |

NOTES:

1. PRM FILTRATION IS ONLY A SUPPLIER OF THIS EQUIPMENT.
2. PRM IS NOT RESPONSIBLE FOR SPECIFYING THIS PRODUCT FOR THE APPLICATION.
3. BUYERS AND/OR USER SHOULD REQUIRE AN ENGINEER FOR ENSURING THAT THE PROPER EQUIPMENT IS INSTALLED FOR THE APPLICATION INCLUDING ALL PROPER SAFETY PRACTICES.
4. PRM IS NOT RESPONSIBLE FOR ANY DAMAGES TO PROPERTY AND/OR INJURY/DEATH RELATED TO IMPROPER INSTALLATION. FILTRATION EQUIPMENT INSTALLATIONS SHOULD ALWAYS INCLUDE ANCILLARY SAFETY DEVICES AND/OR OPERATIONAL PRACTICES.
5. IT IS AGREED THAT PRM NOR ITS OWNERS HAVE LIABILITY WITH THE INSTALLATION AND OPERATION OF THESE OR OTHER PRODUCTS PURCHASED FROM PRM.
6. ALLOW UP TO  $\frac{1}{4}$ " TOLERANCE ON ALL MEASUREMENTS.
7. MODEL LINK: <https://a360.co/4lYeqnb>

