

#2 PVC BAG FILTER HOUSING

PRM **Filtration**

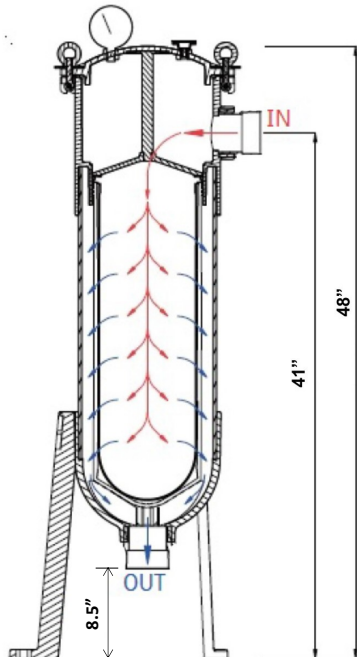
Low Pressure PVC Bag Filter Housing, Uses #2 Size Bags.

Industrial Filter Housings provide excellent filtration in both industrial and chemical applications.

Standard design pressure 100 PSI maximum, design, materials, and construction conform to CE and ASME code.

Features Include:

- Full PVC Construction
- Trade Size # 2 Housing (8 x 30)
- Dome Lid with 304 SS Eyebolts and 1/4" Ports for Gauge or Relief Valve
- 2 Inch FNPT Inlet and Outlet Connections
- 100 GPM Flow Rate
- Viton® O-rings standard
- 100 psi Maximum Working Pressure
- 113°F Maximum Temperature

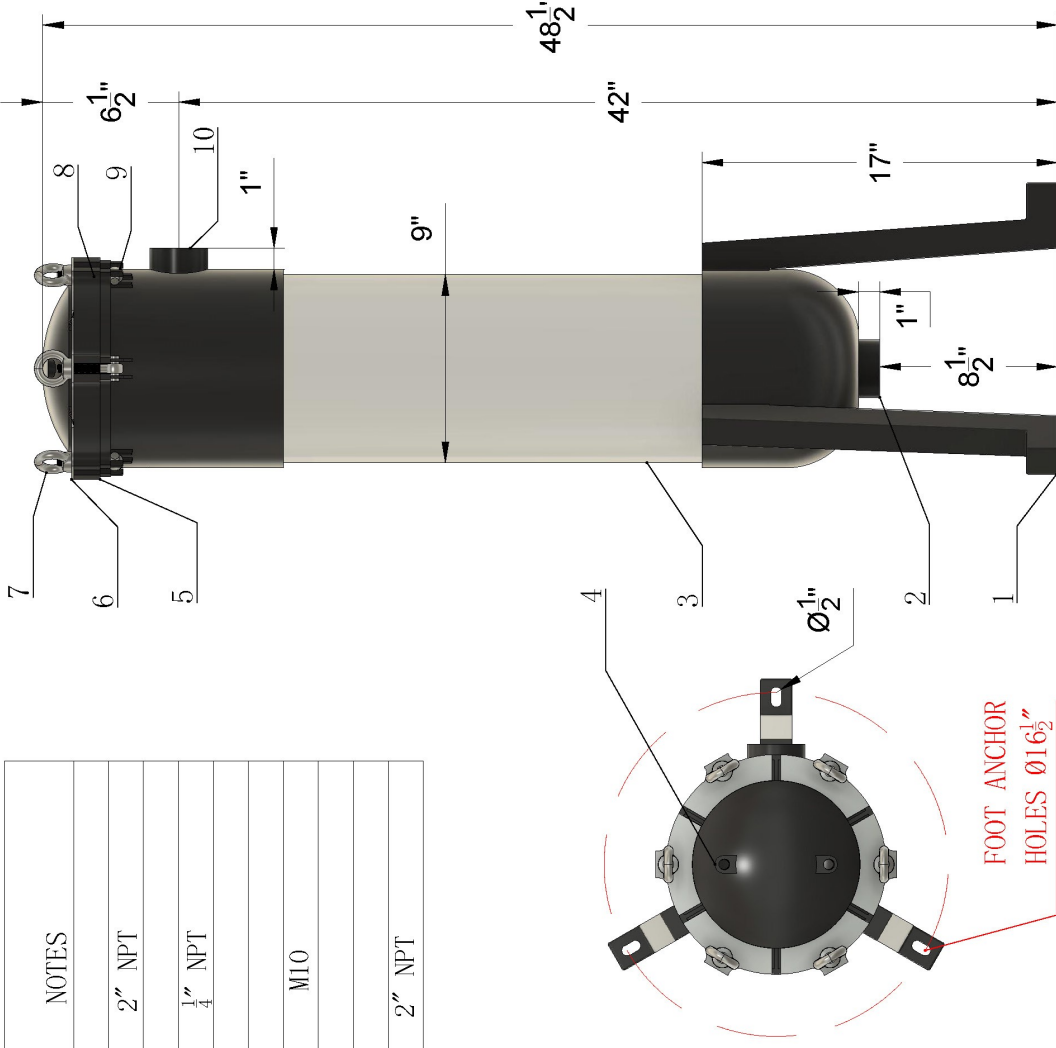


PRM PART #: BFHPVCBF12BXV2



888-TREAT-IT • www.prmfiltration.com • sales@prmfiltration.com

| NO. | ITEM | QTY | MATERIAL | NOTES |
|-----|------------------|-----|----------|----------|
| 1 | LEG | 3 | PVC | |
| 2 | OUTLET | 1 | PVC | 2" NPT |
| 3 | SHELL | 1 | PVC | |
| 4 | EXHAUST VENT | 2 | PVC | 1/4" NPT |
| 5 | LID | 1 | PVC | |
| 6 | LID CLAMP PLATES | 6 | 304 SS | |
| 7 | SWING BOLTS | 6 | 304 SS | M10 |
| 8 | O-RING | 1 | VITON | |
| 9 | BRACKETS | 6 | 304 SS | |
| 10 | INLET | 1 | PVC | 2" NPT |



NOTES:

1. PRM FILTRATION IS ONLY A SUPPLIER OF THIS EQUIPMENT.
2. PRM IS NOT RESPONSIBLE FOR SPECIFYING THIS PRODUCT FOR THE APPLICATION.
3. BUYERS AND/OR USER SHOULD REQUIRE AN ENGINEER FOR ENSURING THAT THE PROPER EQUIPMENT IS INSTALLED FOR THE APPLICATION INCLUDING ALL PROPER SAFETY PRACTICES.
4. PRM IS NOT RESPONSIBLE FOR ANY DAMAGES TO PROPERTY AND/OR INJURY/DEATH RELATED TO IMPROPER INSTALLATION. FILTRATION EQUIPMENT INSTALLATIONS SHOULD ALWAYS INCLUDE ANCILLARY SAFETY DEVICES AND/OR OPERATIONAL PRACTICES.
5. IT IS AGREED THAT PRM NOR ITS OWNERS HAVE LIABILITY WITH THE INSTALLATION AND OPERATION OF THESE OR OTHER PRODUCTS PURCHASED FROM PRM.
6. ALLOW UP TO 1/4" TOLERANCE ON ALL MEASUREMENTS.
7. MODEL LINK: <https://a360.co/3J7fgYI>

Product Recovery Management, Inc.
This information is proprietary and confidential.
No copies or reproductions allowed without the
express written consent of PRM, Inc.

SHEET TITLE

#2 PVC SINGLE BAG HOUSING
BFHPVCBF-12BXV2

DATE

03/02/2023

NO. | REVISION

DATE

DRAWING NUMBER

D-1

