

# BFHBFM6FCSXV2 - 12 BAG FILTER HOUSING

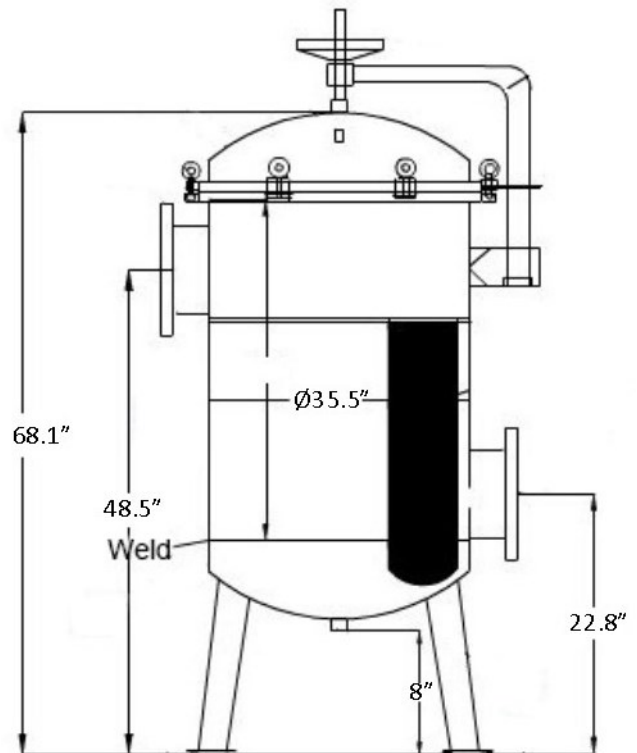
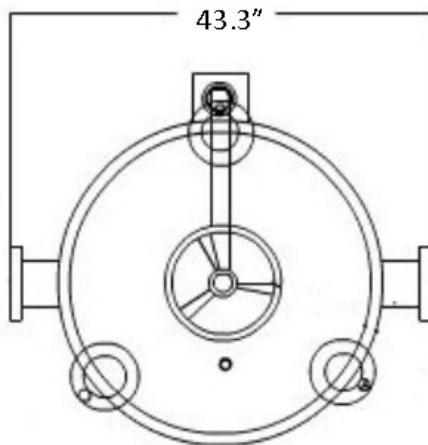


**CARBON STEEL #2 FILTER HOUSING,  
MULTIBAG (12 BAG) FILTER HOUSING**

**PRM PART NUMBER: BFHBFM12FCSXV2**

### Specifications:

- 12 Bag Filter housing for remediation and industrial filtration
- Uses (12) #2 Size Liquid Filter Bags
- Heavy Duty Carbon Steel Construction
- 8 Inch Flanged Inlet / Outlet
- 1580 GPM Maximum Flow Rate
- 150 PSI Maximum Working Pressure
- Viton® O-rings Standard
- 304 SS Strainer Baskets– PTFE Coated
- 1 Inch Drain Port
- 1/4 Inch Gauge Port



Information in drawings is provided for reference only.

**(888-TREAT-IT) • [www.prmfiltration.com](http://www.prmfiltration.com) • [sales@prmfiltration.com](mailto:sales@prmfiltration.com)**