

## #2 High Pressure Bolt Plate Flanged Bag Filter Housing



PRM provides stainless steel bag filter housings for high pressure (<150 psi) applications in remediation and industrial filtration projects.

### Features:

- 304 Stainless Steel Construction
- Trade Size # 2 Housing  
(Uses 7-1/16" Dia x 32" L #2 Size Filter Bags)
- 2 Inch Flanged Inlet and Outlet Connections
- 100 GPM Flow Rate
- FKM (Viton) O-rings
- 150 psi Maximum Working Pressure
- 304 Stainless Steel Strainer Basket
- Adjustable Mounting Stand
- 1 Inch Bottom Drain Port
- 1/4 Inch Top Port for Gauge or Relief Valve



### PRM PART # BFHBFH2

#### \*\* Options and Services \*\*

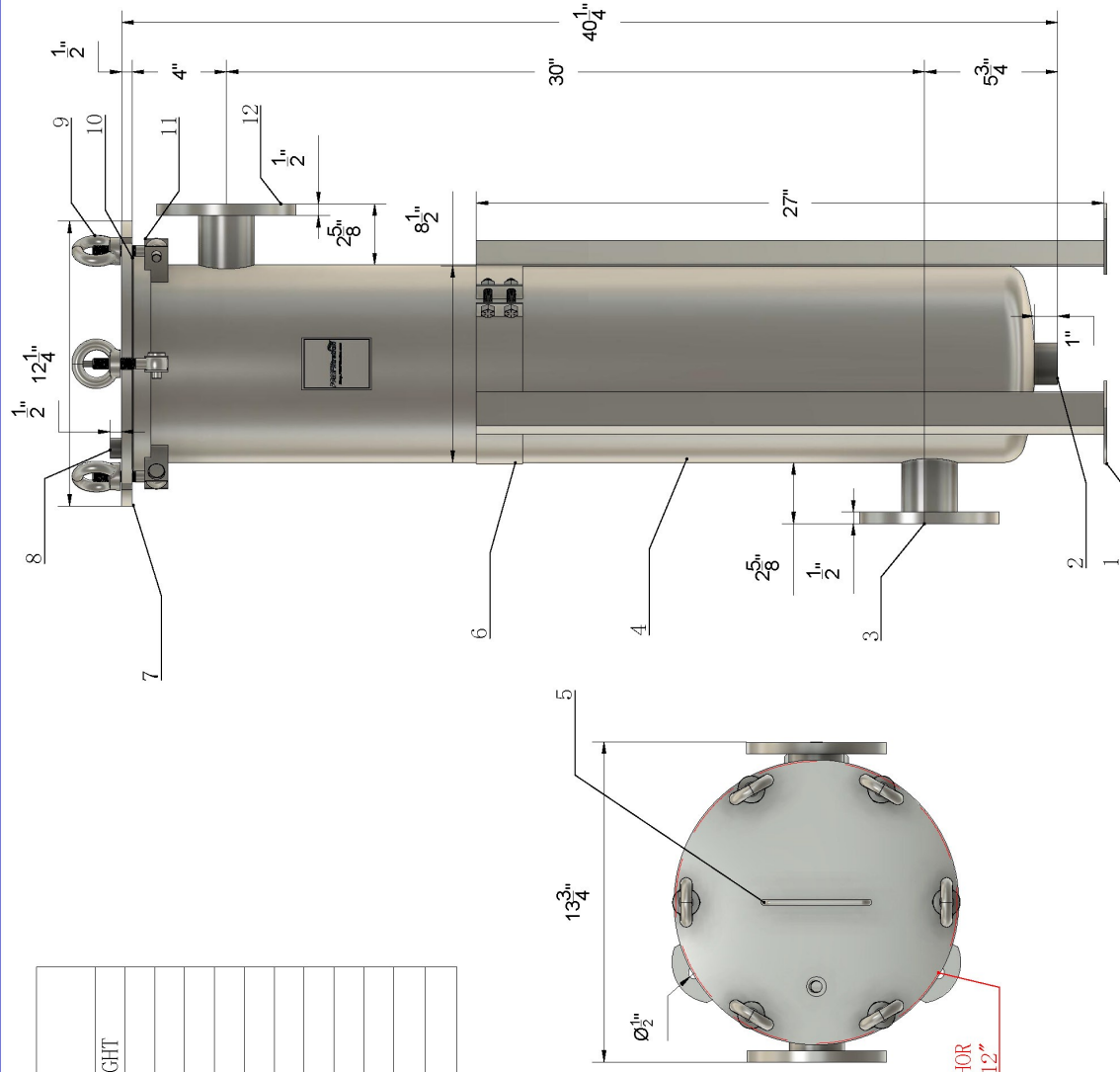
- Skid mounting, pre plumbed filter array
- Steel, Stainless Steel, or PVC Piping w/Valves
- Custom Integration Into Existing Systems
- Field Installation, Startup and Maintenance
- Replacement Bag Filters available in stock

888-TREAT-IT • [www.prmfiltration.com](http://www.prmfiltration.com) • [sales@prmfiltration.com](mailto:sales@prmfiltration.com)

NO.	ITEM	QTY	MATERIAL	NOTES
1	LEG	3	304 SS	ADJUSTABLE HEIGHT
2	DRAIN	1	304 SS	1" NPT
3	OUTLET	1	304 SS	2" FLANGE
4	SHELL	1	304 SS	
5	HANDLE	1	304 SS	
6	SHELL CLAMP	1	304 SS	
7	LID	1	304 SS	
8	EXHAUST VENT	1	304 SS	1/4" NPT
9	SWING BOLTS	6	304 SS	M12
10	O-RING	1	VITON	
11	BRACKETS	6	304 SS	
12	INLET	1	304 SS	2" FLANGE

NOTES:

1. PRM FILTRATION IS ONLY A SUPPLIER OF THIS EQUIPMENT.
2. PRM IS NOT RESPONSIBLE FOR SPECIFYING THIS PRODUCT FOR THE APPLICATION.
3. BUYERS AND/OR USER SHOULD REQUIRE AN ENGINEER FOR ENSURING THAT THE PROPER EQUIPMENT IS INSTALLED FOR THE APPLICATION INCLUDING ALL PROPER SAFETY PRACTICES.
4. PRM IS NOT RESPONSIBLE FOR ANY DAMAGES TO PROPERTY AND/OR INJURY/DEATH RELATED TO IMPROPER INSTALLATION. FILTRATION EQUIPMENT INSTALLATIONS SHOULD ALWAYS INCLUDE ANCILLARY SAFETY DEVICES AND/OR OPERATIONAL PRACTICES.
5. IT IS AGREED THAT PRM NOR ITS OWNERS HAVE LIABILITY WITH THE INSTALLATION AND OPERATION OF THESE OR OTHER PRODUCTS PURCHASED FROM PRM.
6. ALLOW UP TO 1/4" TOLERANCE ON ALL MEASUREMENTS.
7. MODEL LINK: <https://a360.co/3R8qJrc>



Product Recovery Management Inc.  
This information is proprietary and confidential.  
No copies or reproductions allowed without the  
express written consent of PRM, Inc.

SHEET TITLE

#2 SINGLE BAG HOUSING  
BFHBFH2

DATE

03/14/2023

NO. REVISION

DATE

DRAWING NUMBER

D-1