

PRM DFG-6T Oxygen Rotameter



Air Injection/ Air Sparge Rotameter with Integrated Flow Control

The DFG-6T Rotameters are designed for measuring small flow rates, allowing for fine adjustments with the integrated flow valve. This 6T rotameter series is made specifically for oxygen service with a 304 stainless steel float and control valve and FKM (Viton) o-rings. PRM manufactures these standard flow control rotameters with a heavy duty acrylic body to make the rotameters stationary and prohibit flexing.

PART#

FMDFG6T5LPM: 1-5 LPM / 1-10 SCFH
 FMDFG6T10LPM: 1-10 LPM / 2-20 SCFH
 FMDFG6T25LPM: 5-25 LPM / 10-50 SCFH

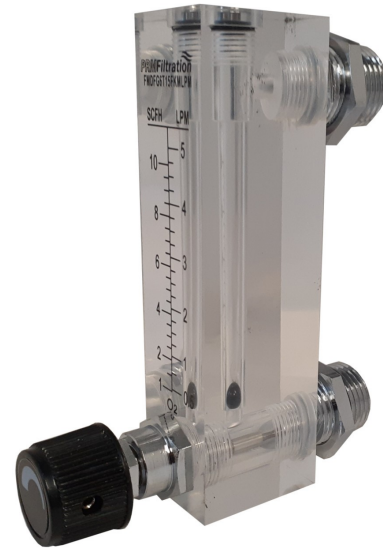
Maximum Pressure: 100 psi
 Maximum Temperature: 145° F
 Connection: 1/4" Female NPT Thread
 Accuracy: +/-4%

It is important to understand that a rotameter is affected by variations in temperature and air pressure. This rotameter has been calibrated at the Standard operating conditions of 14.7 psia (0 psi) pressure and 70° F. When using the rotameter at a different temperature and pressure than where it was calibrated, the following formula will provide a correction factor:

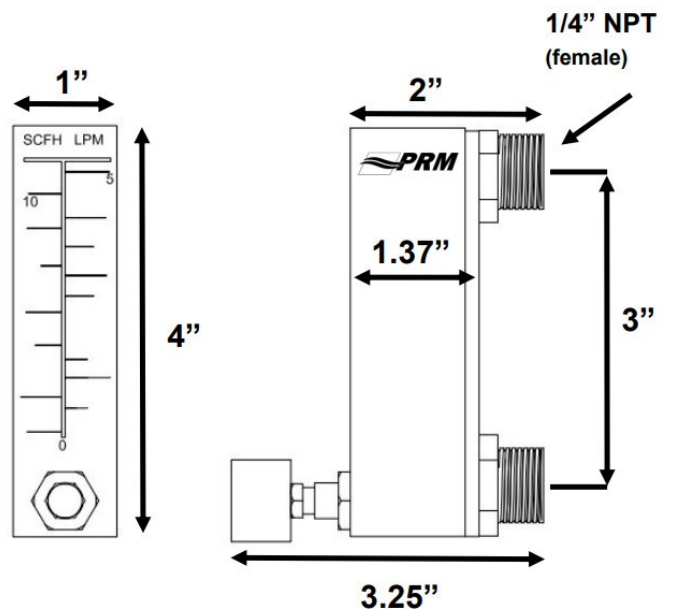
$$Q_2 = Q_1 \times \sqrt{\frac{P_1 \times T_2}{P_2 \times T_1}}$$

Where:

- Q1 = Actual or Observed Flowmeter Reading
- Q2 = Standard Flow Corrected for Pressure and Temp.
- P1 = Actual Pressure (14.7 psia + Gauge Pressure)
- P2 = Standard Pressure (14.7 psia, which is 0 psig)
- T1 = Actual Temperature (460 R + Temp °F)
- T2 = Standard Temperature (530 R, which is 70°F)



Materials:
 Body: Acrylic
 O-Ring: FKM (Viton)
 Float: 304 Stainless Steel
 Fitting: Nickel Plated Brass



888-TREAT-IT • www.prmfiltration.com • sales@prmfiltration.com