

## PRM DFG6T Mini Rotameter



### Air Rotameter with Integrated Flow Control

The DFG6T Rotameters are designed for measuring small flow rates, allowing for fine control with the integrated flow valve.

PRM manufactures these standard flow control rotameters with a heavy duty acrylic body.

PART#

**FMDFG6T055LPM: 1-10 SCFH / 0.5 - 5 LPM**

Maximum Pressure: 100 psi

Maximum Temperature: 145° F

Connection: 1/4" Female NPT Thread

Accuracy: +/-4%

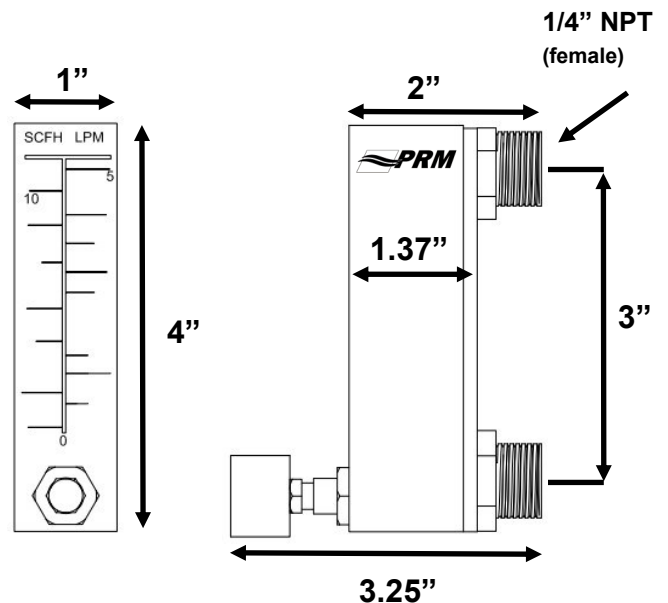
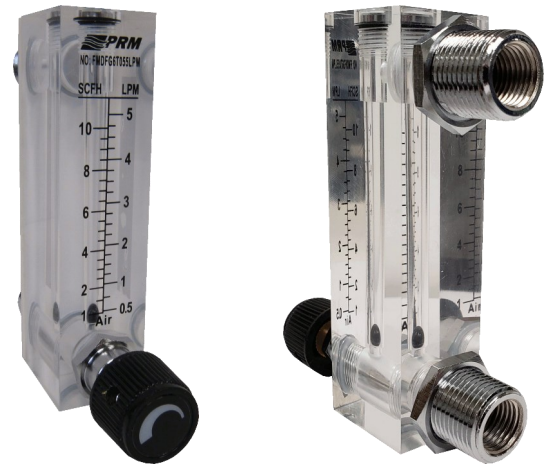
Materials:

Body: Acrylic

O-Ring: Silicon

Float: Agate Ball

Fitting: Stainless Steel



888-TREAT-IT • [www.prmfiltration.com](http://www.prmfiltration.com) • [sales@prmfiltration.com](mailto:sales@prmfiltration.com)