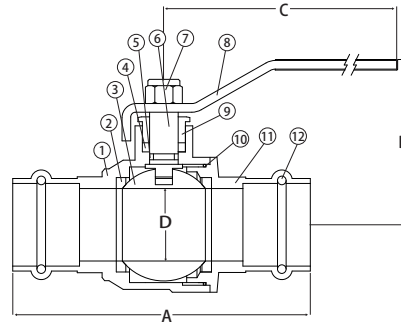


Lead Free Brass Ball Valve

2 Piece, Full Port, Press Connection, Stainless Steel Trim with Drain, 600 WOG

JP-110G



FEATURES

- Dezincification Resistant Brass Alloy
- Gland Follower and Single O-Ring Stem Design
- Blow-Out Proof Stem
- 100% Leak Tested
- IAPMO Certified - NSF 61 & NSF 372 Certified
- Wetted Surfaces Contain Less than .25% Content

CERTIFICATIONS/APPROVALS

- IAPMO Certified
- NSF 61-8
- NSF 372

PRESSURE/TEMPERATURE RATING

- 250 WOG
- Max 250°F

MATERIALS

No.	Part	Material
1	Body	Lead Free Brass - C46400
2	Seat	PTFE
3	Ball	304 Stainless Steel
4	Packing	PTFE
5	O-ring	Buna-N
6	Stem	304 Stainless Steel
7	Handle Nut	Steel - Chrome Plated
8	Handle	Steel - Chrome Plated
9	Packing Nut	Brass
10	O-Ring	NBR
11	Cap	Lead Free Brass - C46400
12	O-Ring	EPDM
13	Flat Washer*	Buna-N
14	Bleeder Cap*	Brass

*Not Shown in Drawing

DIMENSIONS

Part No	Size	A	B	C	D
150-233G	1/2"	3.35	1.81	3.46	0.59
150-234G	3/4"	3.76	2.09	2.28	0.75
150-235G	1"	4.07	2.25	4.29	0.98