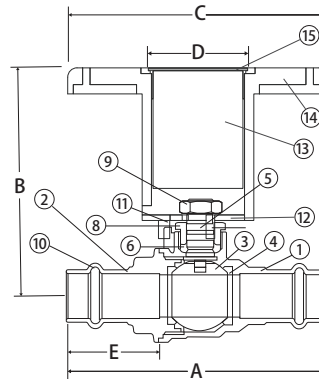


## Lead Free Brass Ball Valve

2 Piece, Full Port, Press Connection, Stainless Steel Trim, Insulated Handle, 250 WOG

**JP-100SSG-IH**



### FEATURES

- Dezincification Resistant Brass Alloy
- Triple Sealing Stem with 2 FKM O-Rings and PTFE G300
- Blow-out Proof Stem
- 100% Leak Tested
- 100% Made in Italy (Valve Only)
- Leakproof Stem - Lifetime Warranty
- Wetted Surfaces Contain Less Than .25% Lead Content
- Accessories Available

### CERTIFICATIONS/APPROVALS

- UL-2043 Certified Insulated Handle
- NSF 372
- NSF 61-8
- NSF 61 - Annex G
- Conforms to IAPMO PS 117
- Meets ISO 6509

### PRESSURE/TEMPERATURE RATING

- 250 WOG
- MAX. 250° F

### MATERIALS

No.	Part	Material
1	Body	Lead Free Brass - C27453
2	End Connection	Lead Free Brass - C27453
3	Ball	316 Stainless Steel
4	Seat (2)	PTFE G300
5	Stem	316 Stainless Steel
6	Packing	PTFE G300
7	Stem O-Ring (2)*	FKM
8	Packing Gland	Brass - C38500
9	Handle Nut	Steel - Geomet® Plated
10	O-Ring (2)	EPDM
11	Slide	Chrome Plated Steel
12	Base Plate	Chrome Plated Steel
13	Foam Insert	Polystyrene
14	Handle	Nylon
15	Cap	LDPE
16	Sleeve*	CAB Tubing

\*Not Pictured

### DIMENSIONS

Part No	Size	A	B	C	D	E	C <sub>v</sub>
100-203SSG-IH	1/2"	3.54	2.90	4.25	1.77	1.24	16.82
100-204SSG-IH	3/4"	3.84	3.28	4.25	1.77	1.28	34.80
100-205SSG-IH	1"	4.31	4.00	4.25	1.77	1.38	52.20
100-206SSG-IH	1-1/4"	4.80	4.15	4.25	1.77	1.30	112.52
100-207SSG-IH	1-1/2"	5.61	5.15	5.51	2.36	1.50	174.00
100-208SSG-IH	2"	7.16	5.50	5.51	2.36	2.01	255.20