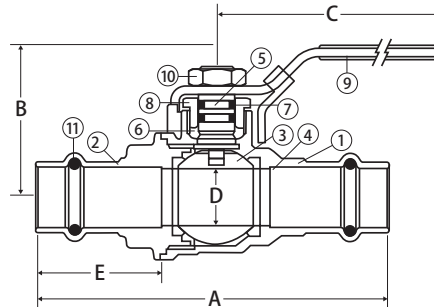


## Lead Free Brass Ball Valve

2 Piece, Full Port, Press Connection, Locking Handle, 250 WOG

**JP-100G-LH**



### FEATURES

- Dezincification Resistant Brass Alloy
- Leak Detection O-Rings
- Triple Sealing Stem with 2 FKM O-Rings and PTFE G300
- Blow-out Proof Stem
- 100% Leak Tested
- 100% Made in Italy
- Leakproof Stem - Lifetime Warranty
- Wetted Surfaces Contain Less than .25% Lead Content

### CERTIFICATIONS/APPROVALS

- NSF 372
- NSF 61-8
- NSF 61 - Annex G
- Conforms to IAPMO PS 117
- Meets ISO 6509

### PRESSURE/TEMPERATURE RATING

- 250 WOG
- MAX. 250° F

### MATERIALS

No.	Part	Material
1	Body	Lead Free Brass - C27453
2	End Connection	Lead Free Brass - C27453
3	Ball	T.E.A. Coated Brass - C28500
4	Seat (2)	PTFE G300
5	Stem	Lead Free Brass - C28500
6	Packing	PTFE G300
7	Stem O-Ring (2)	FKM
8	Packing Gland	Brass - C38500
9	Handle	304 Stainless Steel
10	Handle Nut	Steel - Geomet® Plated
11	O-Ring (2)	EPDM

### DIMENSIONS

Part No	Size	A	B	C	D	E	C <sub>v</sub>
100-203G-LH	1/2"	3.54	2.45	3.58	0.59	1.24	16.82
100-204G-LH	3/4"	3.84	2.90	4.40	0.79	1.28	34.80
100-205G-LH	1"	4.31	3.37	5.20	0.97	1.38	52.20
100-206G-LH	1-1/4"	4.80	3.55	5.20	1.23	1.30	112.52
100-207G-LH	1-1/2"	5.61	3.93	6.73	1.49	1.50	174.00
100-208G-LH	2"	7.16	4.20	6.73	1.99	2.01	255.20