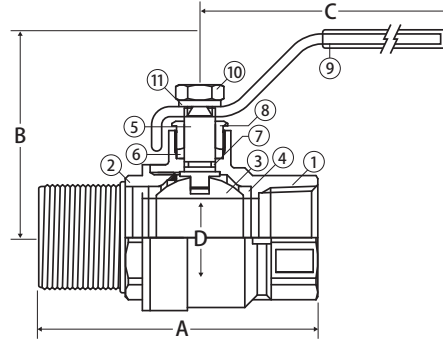
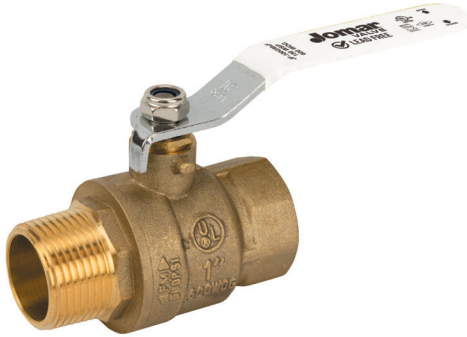


Lead Free Brass Ball Valve

2 Piece, Full Port, Male x Female Connection, Stainless Steel Trim, 600 WOG

JF-100GMxF



FEATURES

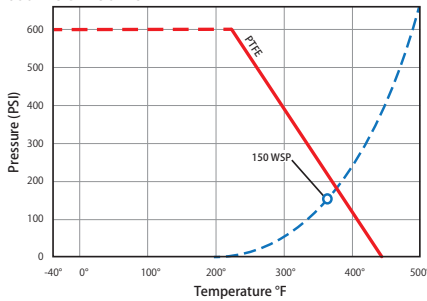
- Dezincification Resistant Brass Alloy
- Gland Follower and Single O-Ring Stem Design
- Blow-Out Proof Stem
- 100% Leak Tested
- IAPMO Certified - NSF 61 & NSF 372
- Wetted Surfaces Contain Less than .25% Content

CERTIFICATIONS/APPROVALS

- UL Listed up to 175 PSI (1/4" - 1")
 - MHKZ - Manual Valves
 - YRPV - Gas Shut-Off Valves
- IAPMO Certified
 - NSF 61-8
 - NSF 372
 - Uniform Plumbing Code (cUPC)
 - IAPMO/ANSI Z1157-2014
 - NSF/ANSI 14-2014
- FM Approval (1/2" - 2")
- MSS SP-110
- ANSI B1.20.1

VALVE SEAT RATING

600 WOG - 150 WSP



MATERIALS

No.	Part	Material
1	Body	Lead Free Brass - C46400
2	End Connection	Lead Free Brass - C46400
3	Ball	304 Stainless Steel
4	Seat (2)	PTFE
5	Stem	304 Stainless Steel
6	Packing	PTFE
7	Stem O-ring	Buna-N
8	Packing Gland	Lead Free Brass - C46400
9	Handle	Steel - Chrome Plated
10	Handle Nut	Steel - Chrome Plated
11	Lock Washer	Steel - Chrome Plated

DIMENSIONS

Part No	Size	A	B	C	D
100-131G	1/4"	2.05	1.69	3.54	0.39
100-132G	3/8"	2.13	1.69	3.54	0.39
100-133G	1/2"	2.5	1.81	3.54	0.59
100-134G	3/4"	3	2.12	4.55	0.75
100-135G	1"	3.27	2.25	4.55	0.98