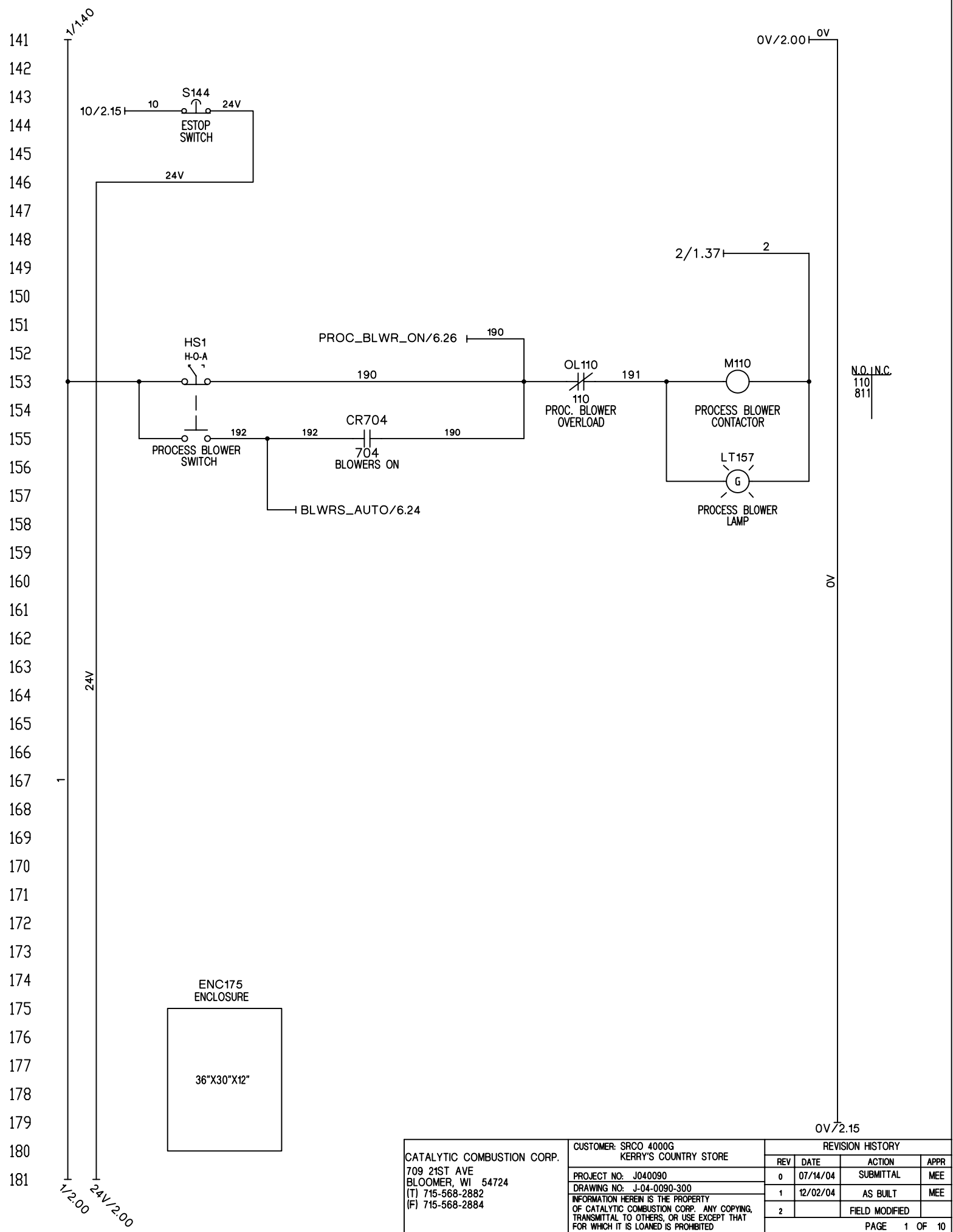
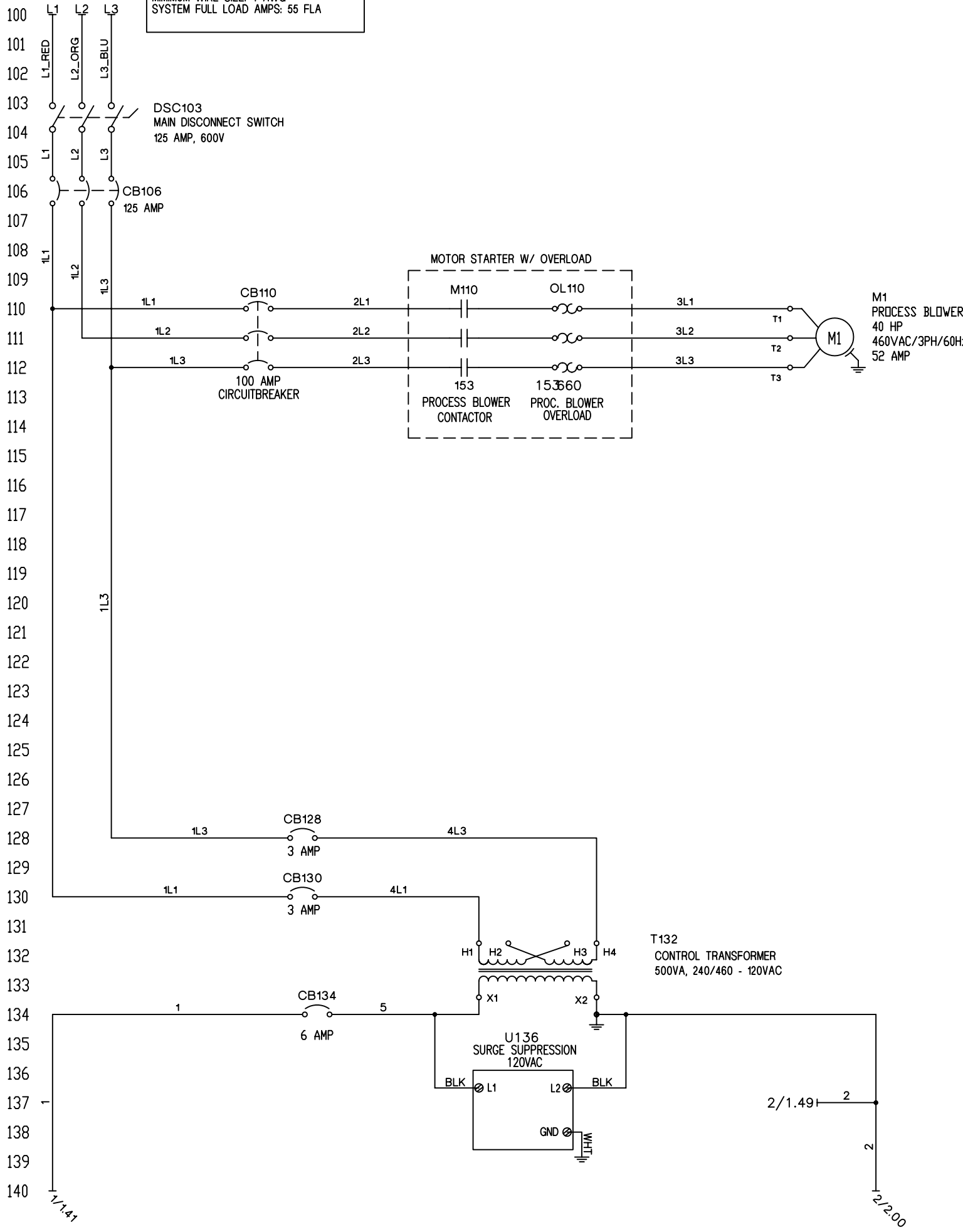
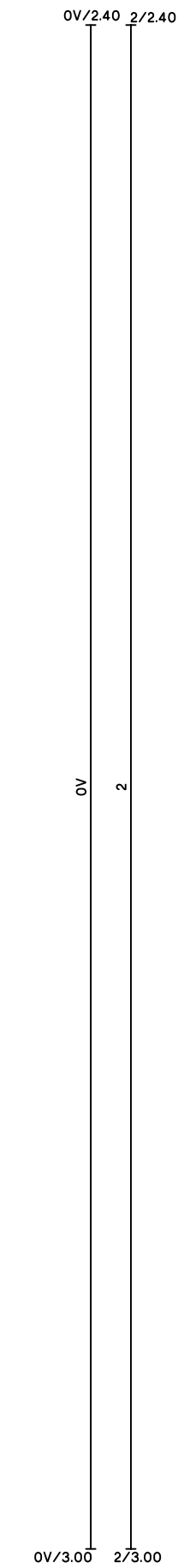
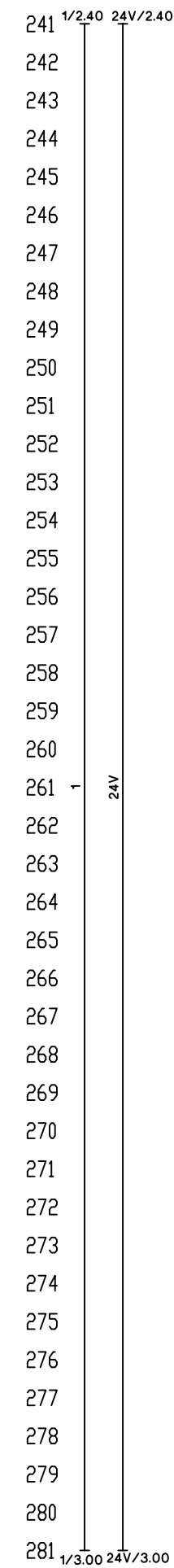
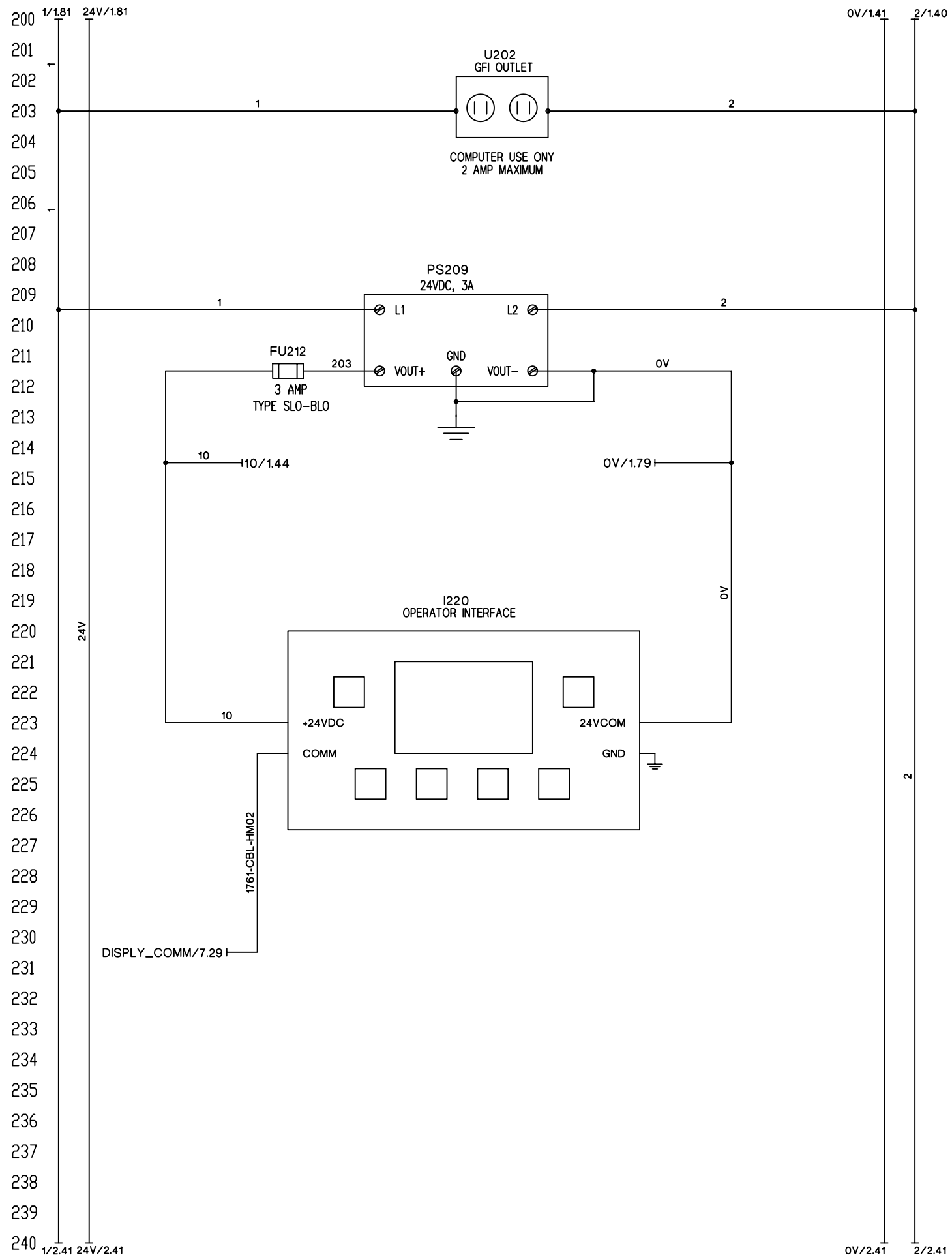


POWER SOURCE: SUPPLIED FROM OTHERS
 POWER SUPPLY: 460V/3PH/60Hz
 MINIMUM WIRE SIZE: 4 AWG
 SYSTEM FULL LOAD AMPS: 55 FLA

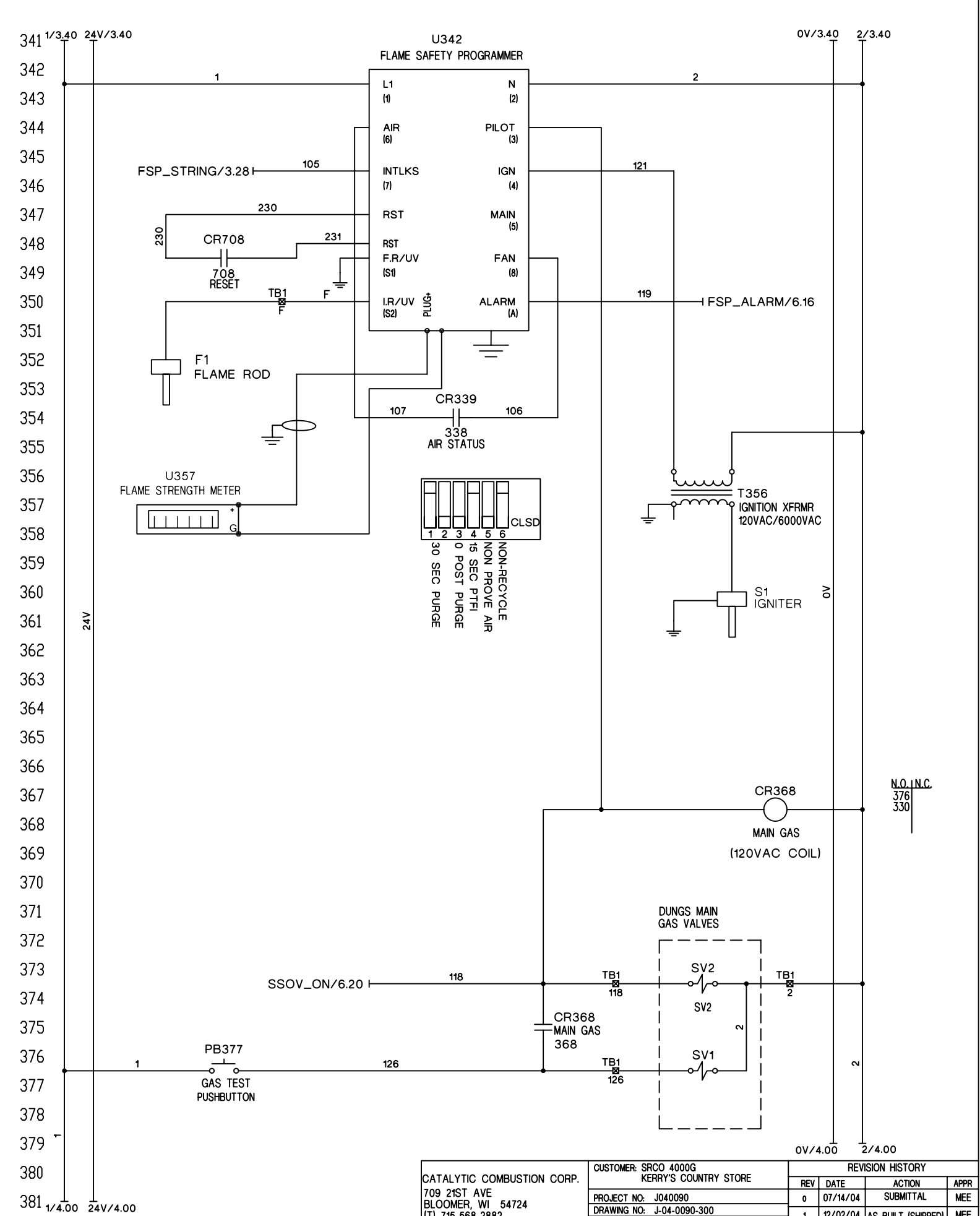
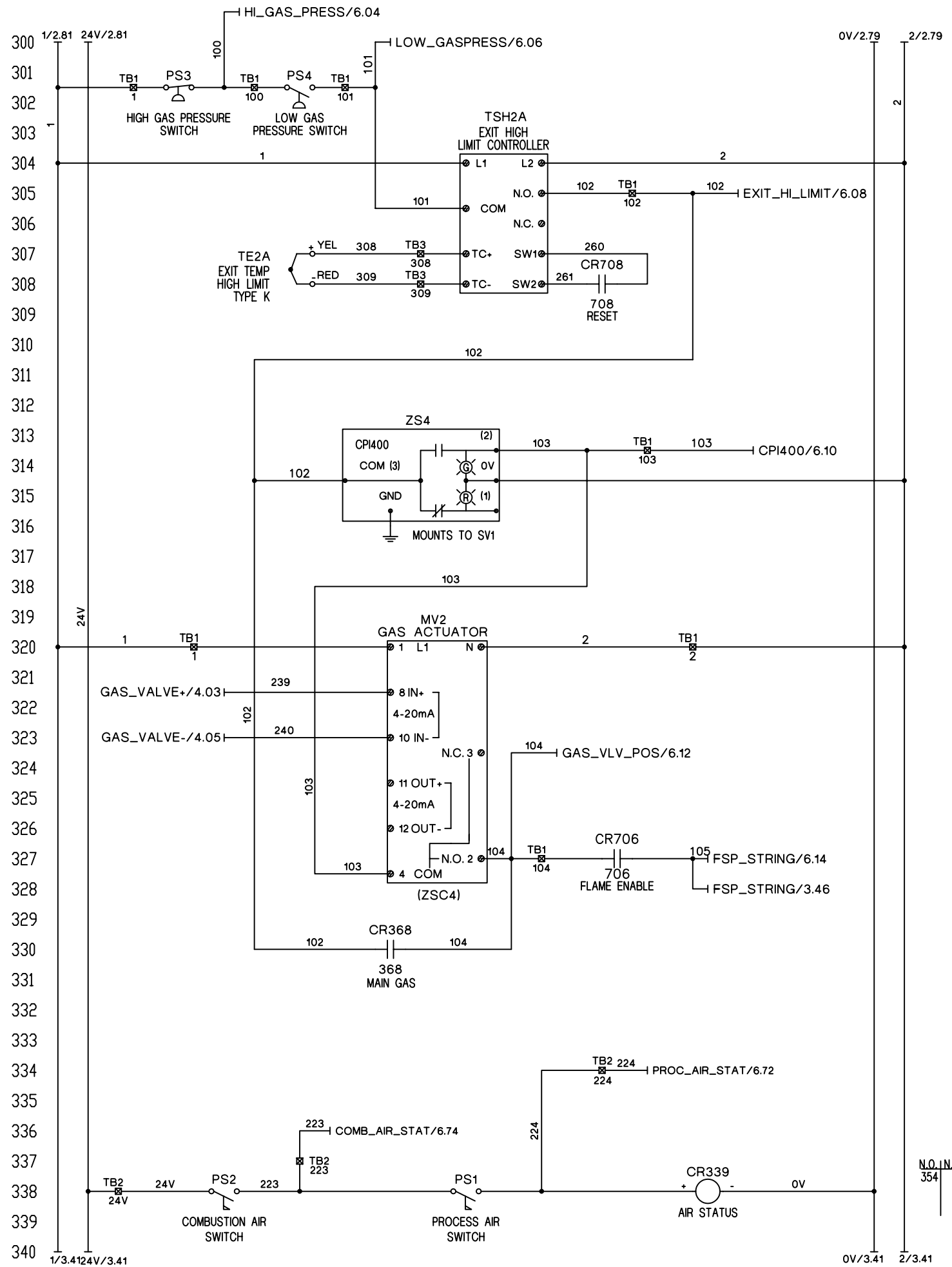


N.O.I.N.C.
 110
 811

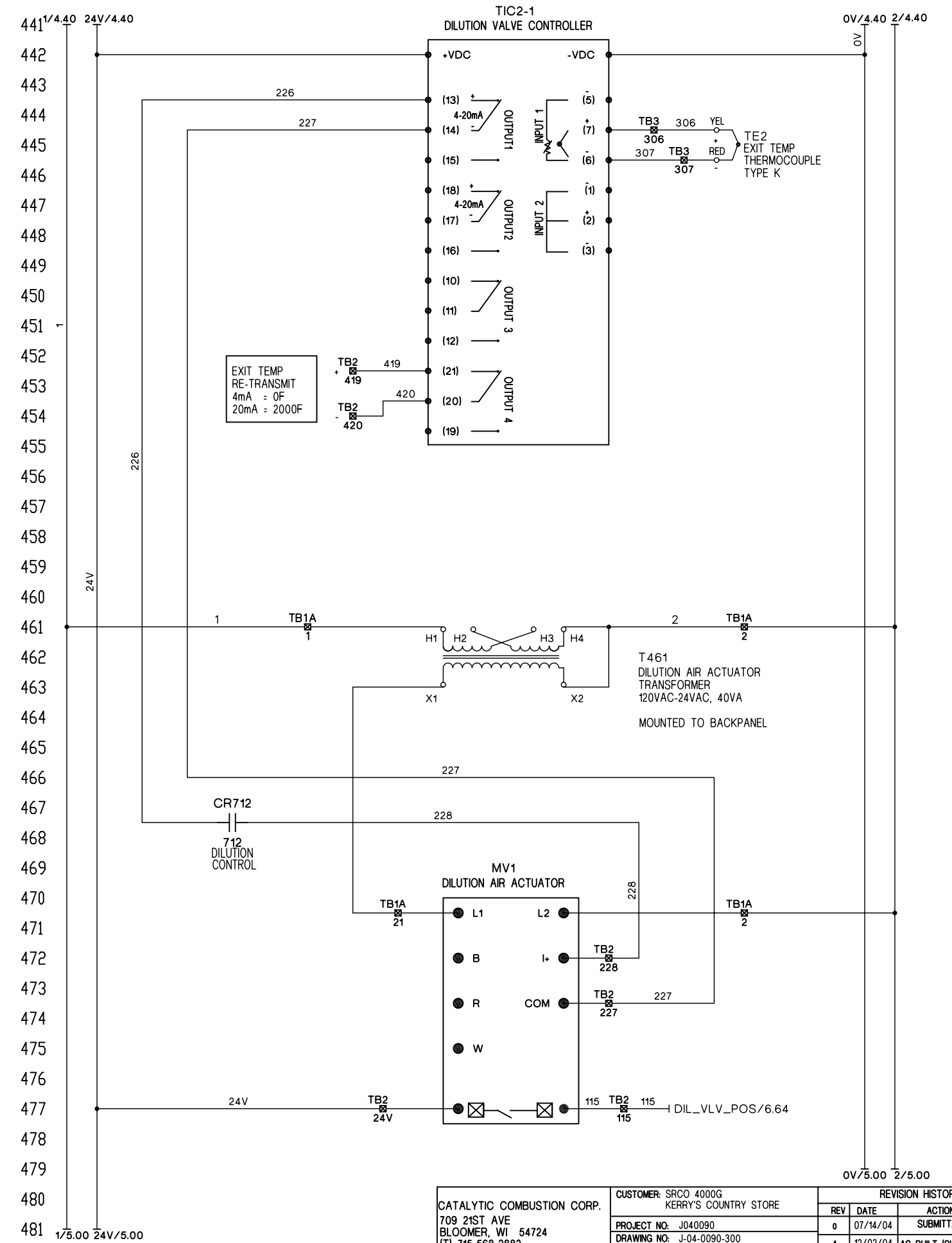
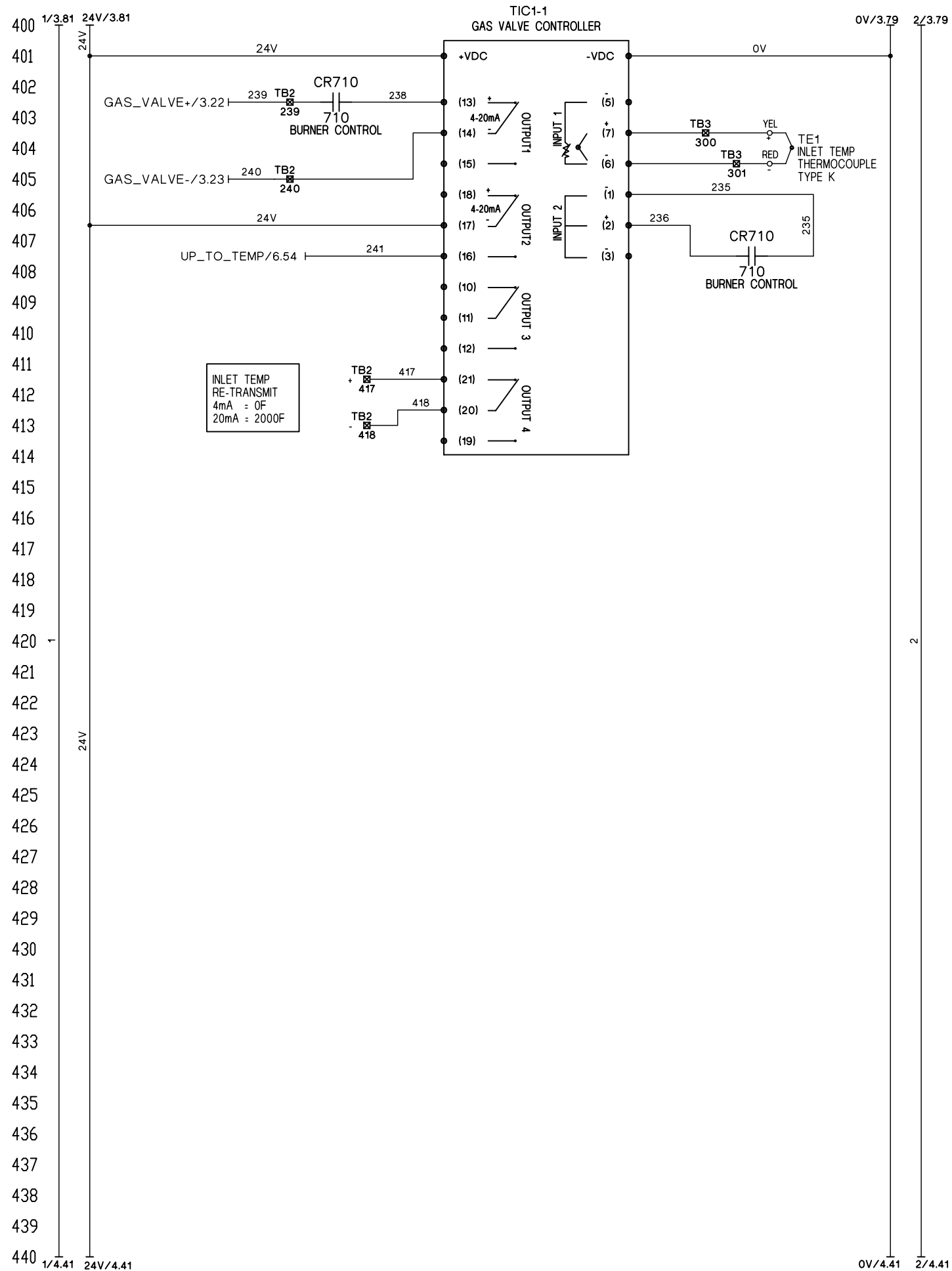
CATALYTIC COMBUSTION CORP. 709 21ST AVE BLOOMER, WI 54724 (T) 715-568-2882 (F) 715-568-2884	CUSTOMER: SRCO 4000G KERRY'S COUNTRY STORE		REVISION HISTORY		
	PROJECT NO: J040090 DRAWING NO: J-04-0090-300	REV 0 DATE 07/14/04	ACTION SUBMITTAL	APPR MEE	
	INFORMATION HEREIN IS THE PROPERTY OF CATALYTIC COMBUSTION CORP. ANY COPYING, TRANSMITTAL TO OTHERS, OR USE EXCEPT THAT FOR WHICH IT IS LOANED IS PROHIBITED	REV 1 DATE 12/02/04	ACTION AS BUILT	APPR MEE	
		REV 2	ACTION FIELD MODIFIED	APPR	PAGE 1 OF 10



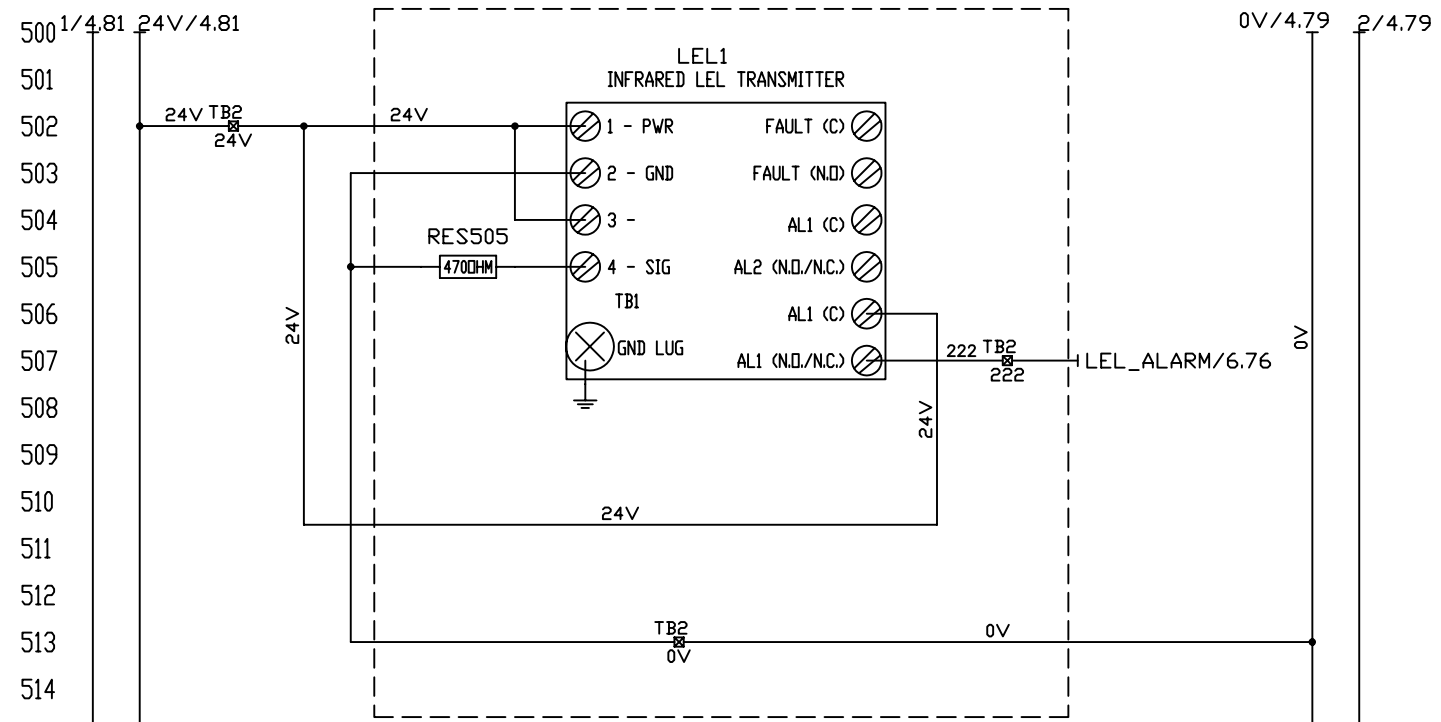
CATALYTIC COMBUSTION CORP. 709 21ST AVE BLOOMER, WI 54724 (T) 715-568-2882 (F) 715-568-2884	CUSTOMER: SRCO 4000G KERRY'S COUNTRY STORE		REVISION HISTORY		
	PROJECT NO: J040090	REV 0	DATE 07/14/04	ACTION SUBMITTAL	APPR MEE
	DRAWING NO: J-04-0090-300	REV 1	DATE 12/02/04	ACTION AS BUILT	APPR MEE
	INFORMATION HEREIN IS THE PROPERTY OF CATALYTIC COMBUSTION CORP. ANY COPYING, TRANSMITTAL TO OTHERS, OR USE EXCEPT THAT FOR WHICH IT IS LOANED IS PROHIBITED	REV 2	DATE	ACTION FIELD MODIFIED	APPR
PAGE 2 OF 10					



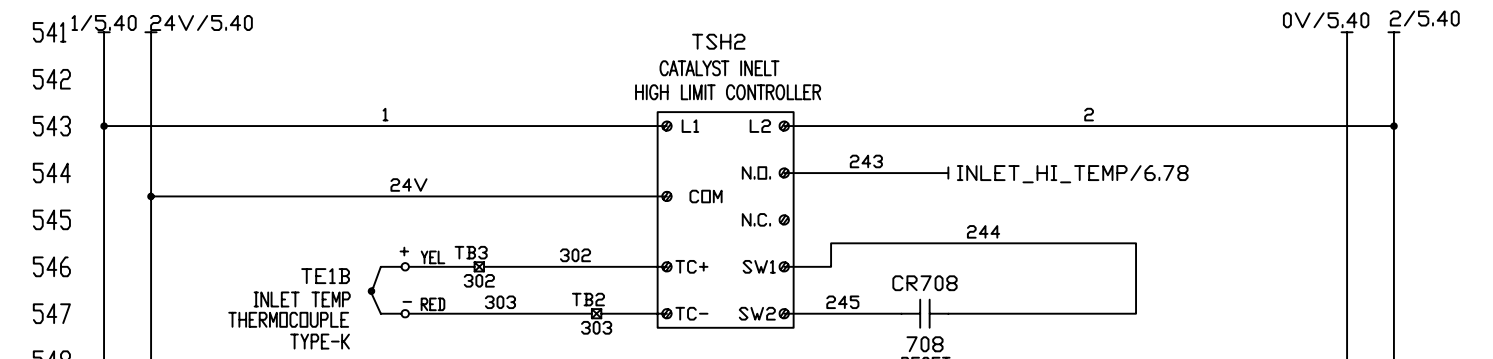
CATALYTIC COMBUSTION CORP. 709 21ST AVE BLOOMER, WI 54724 (T) 715-568-2882 (F) 715-568-2884		CUSTOMER: SRCO 4000G KERRY'S COUNTRY STORE		REVISION HISTORY	
		PROJECT NO: J040090	REV	DATE	ACTION
DRAWING NO: J-04-0090-300 INFORMATION HEREIN IS THE PROPERTY OF CATALYTIC COMBUSTION CORP. ANY COPYING, TRANSMITTAL TO OTHERS, OR USE EXCEPT THAT FOR WHICH IT IS LOANED IS PROHIBITED		0	07/14/04	SUBMITTAL	MEE
		1	12/02/04	AS BUILT (SHIPPED)	MEE
		2		FIELD MODIFIED	
PAGE 3 OF 10					



CATALYTIC COMBUSTION CORP. 709 21ST AVE BLOOMER, WI 54724 (T) 715-568-2882 (F) 715-568-2884		CUSTOMER: SRCO 4000G KERRY'S COUNTRY STORE		REVISION HISTORY			
REV	DATE	ACTION	APPR	REV	DATE	ACTION	APPR
0	07/14/04	SUBMITTAL	MEE	1	12/02/04	AS BUILT (SHIPPED)	MEE
2		FIELD MODIFIED		PAGE 4 OF 10			



OPTIONAL LEL
TRANSMITTER NOT
INSTALLED ON THIS SYSTEM



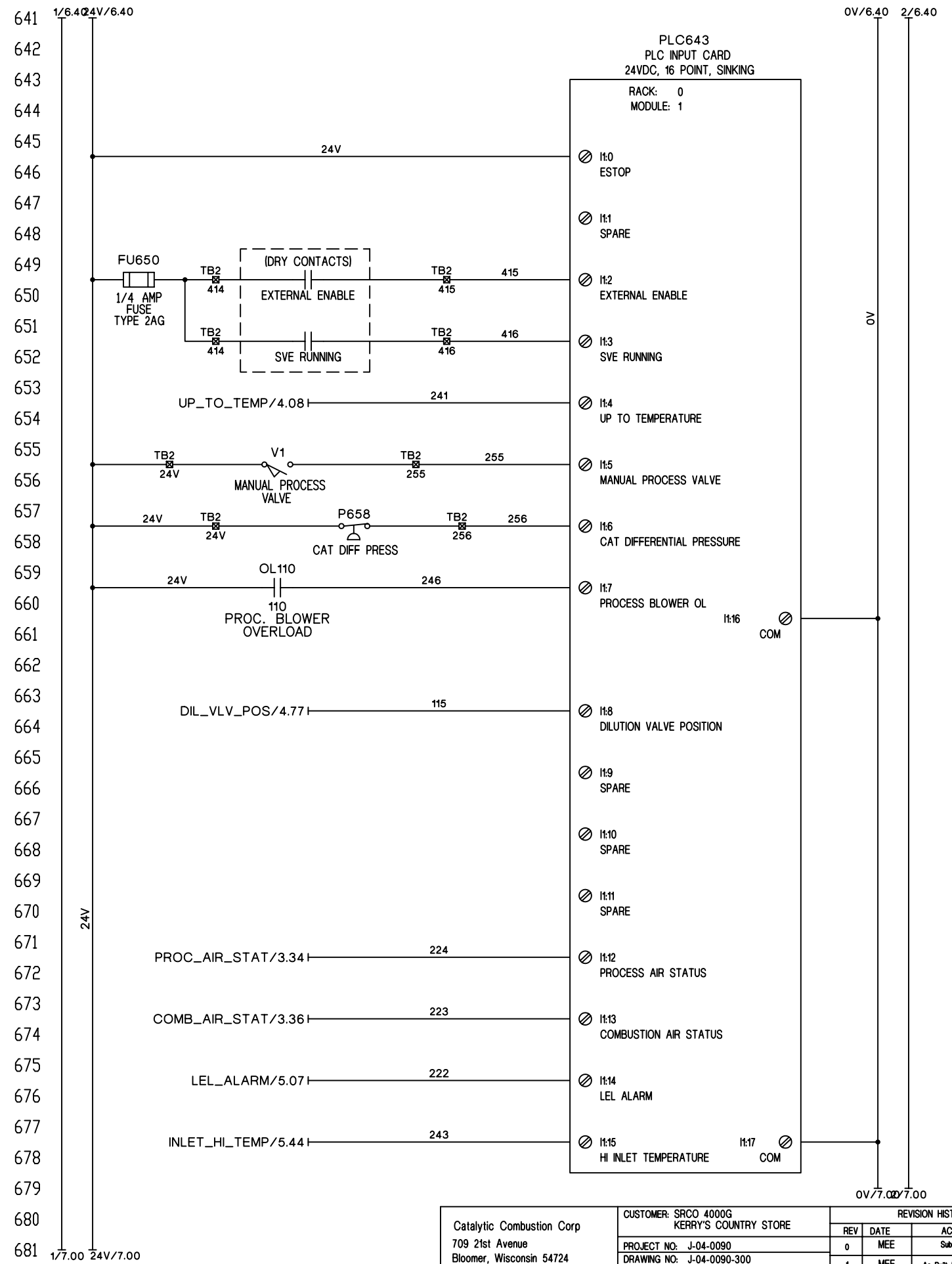
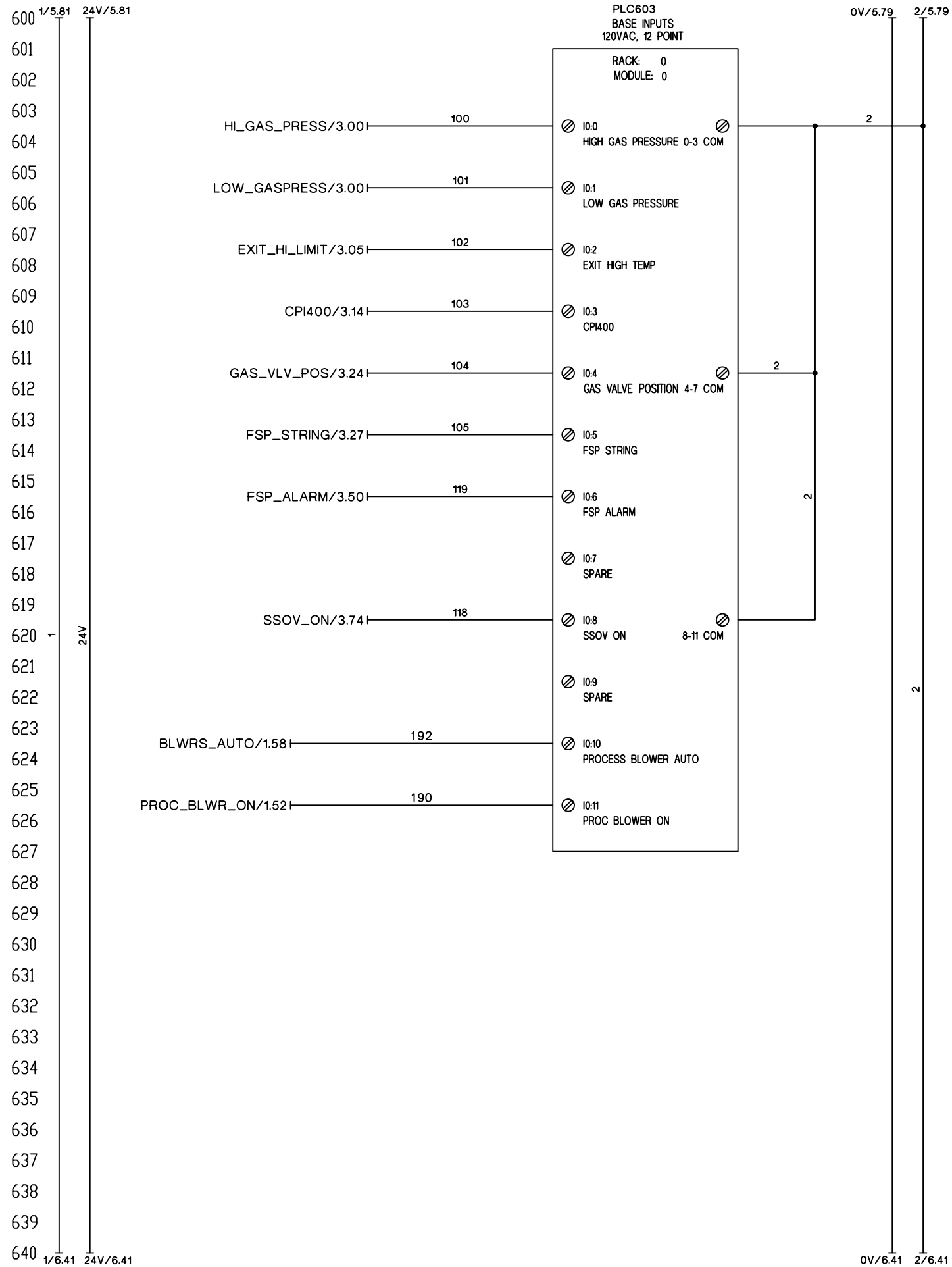
500 1/4.81 24V/4.81
501
502 24V TB2 24V
503
504
505 RES505 4700HM
506 TB1
507 24V
508
509
510 24V
511
512
513 TB2 0V
514
515
516
517
518
519
520 24V
521
522
523
524
525
526
527
528
529
530
531
532
533
534
535
536
537
538
539
540 1/5.41 24V/5.41

0V/4.79 2/4.79
0V
0V
0V
0V/5.41 2/5.41

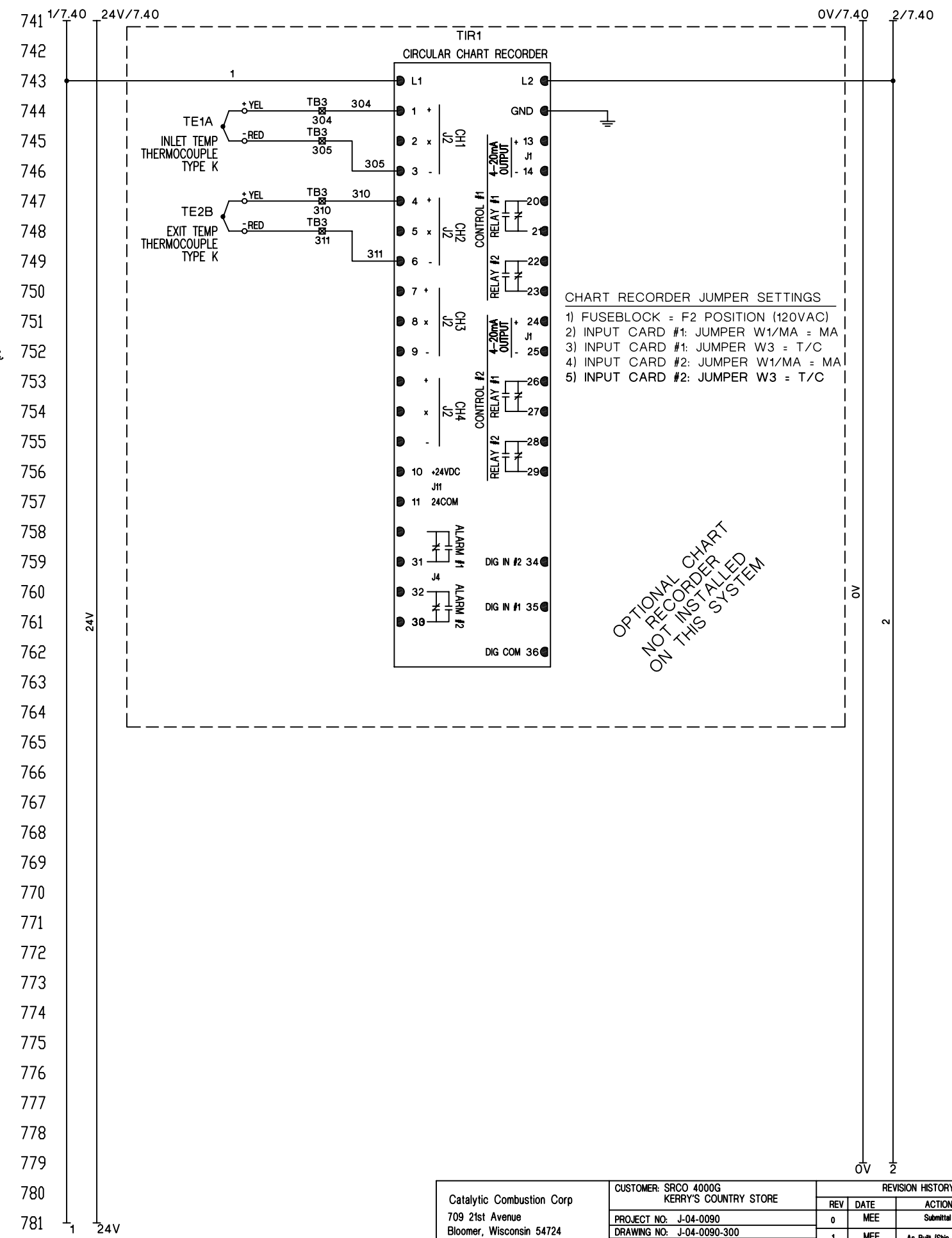
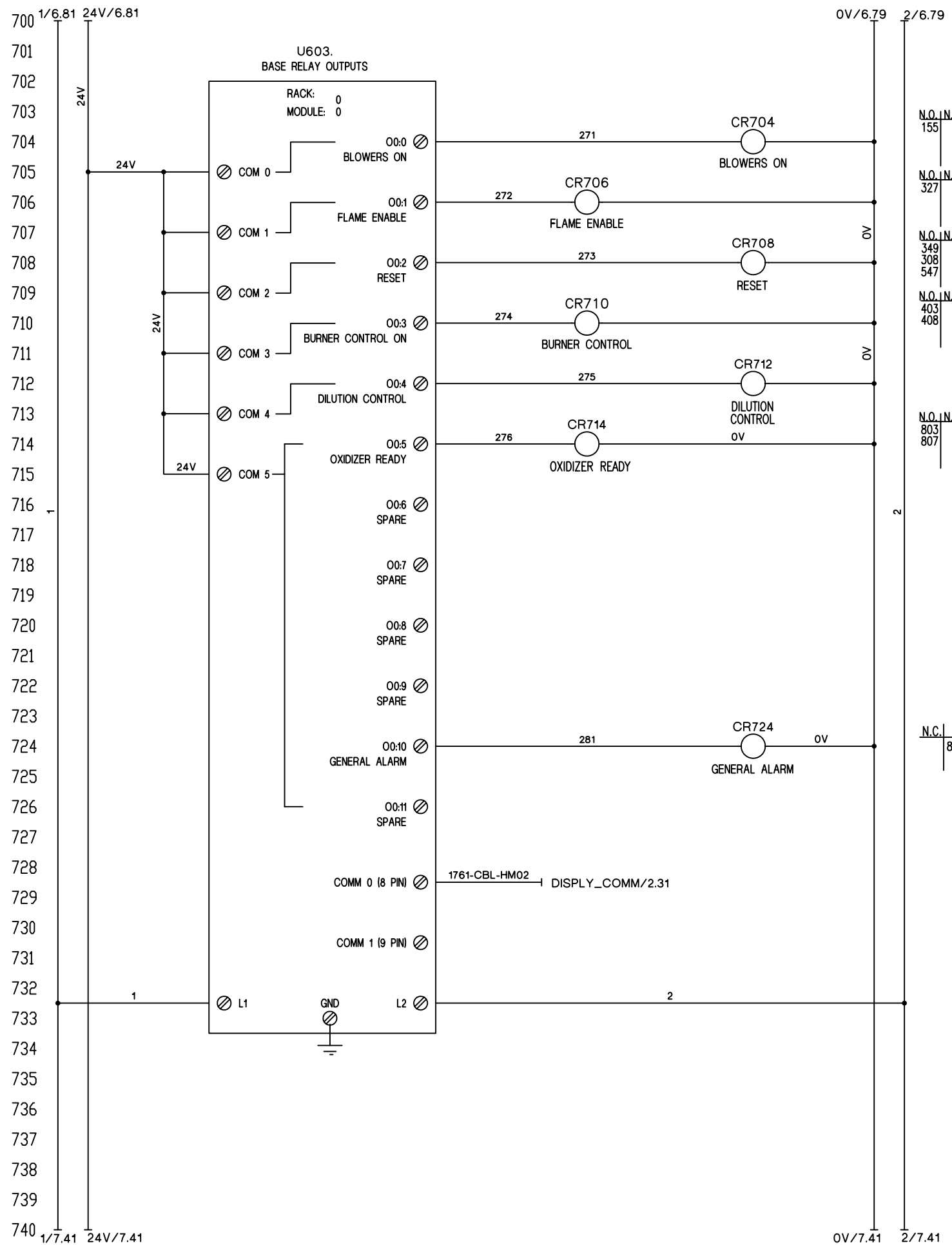
541 1/5.40 24V/5.40
542
543 1 2
544 24V
545
546 TE1B INLET TEMP THERMOCOUPLE TYPE-K
547 + YEL TB3 302
548 - RED 303 TB2 303
549
550
551
552
553
554
555
556
557
558
559
560
561
562
563
564
565
566
567
568
569
570
571
572
573
574
575
576
577
578
579
580
581 1/6.00 24V/6.00

0V/5.40 2/5.40
0V/6.00 2/6.00

Catalytic Combustion Corp 709 21st Avenue Bloomer, Wisconsin 54724 (t) 715-568-2882 (f) 715-568-2884	CUSTOMER: SRCO 4000G KERRY'S COUNTRY STORE		REVISION HISTORY		
	PROJECT NO: J-04-0090	REV	DATE	ACTION	APPR
	DRAWING NO: J-04-0090-300	0	MEE	Submittal	
	INFORMATION HEREIN IS THE PROPERTY OF CATALYTIC COMBUSTION CORP. ANY COPYING, TRANSMITTAL TO OTHERS, OR USE EXCEPT THAT FOR WHICH IT IS LOANED PROHIBITED	1	MEE	As Built (Ship Date)	
	2		Field Modified #1		
PAGE 5 OF 10					



Catalytic Combustion Corp 709 21st Avenue Bloomer, Wisconsin 54724 (t) 715-568-2882 (f) 715-568-2884	CUSTOMER: SRCO 4000G KERRY'S COUNTRY STORE		REVISION HISTORY		
	PROJECT NO: J-04-0090 DRAWING NO: J-04-0090-300	0 1 2	MEE MEE	ACTION Submittal As Built (Ship Date) Field Modified #1	APPR
	INFORMATION HEREIN IS THE PROPERTY OF CATALYTIC COMBUSTION CORP. ANY COPYING, TRANSMITTAL TO OTHERS, OR USE EXCEPT THAT FOR WHICH IT IS LOANED IS PROHIBITED.				PAGE 6 OF 10
	INFORMATION HEREIN IS THE PROPERTY OF CATALYTIC COMBUSTION CORP. ANY COPYING, TRANSMITTAL TO OTHERS, OR USE EXCEPT THAT FOR WHICH IT IS LOANED IS PROHIBITED.				

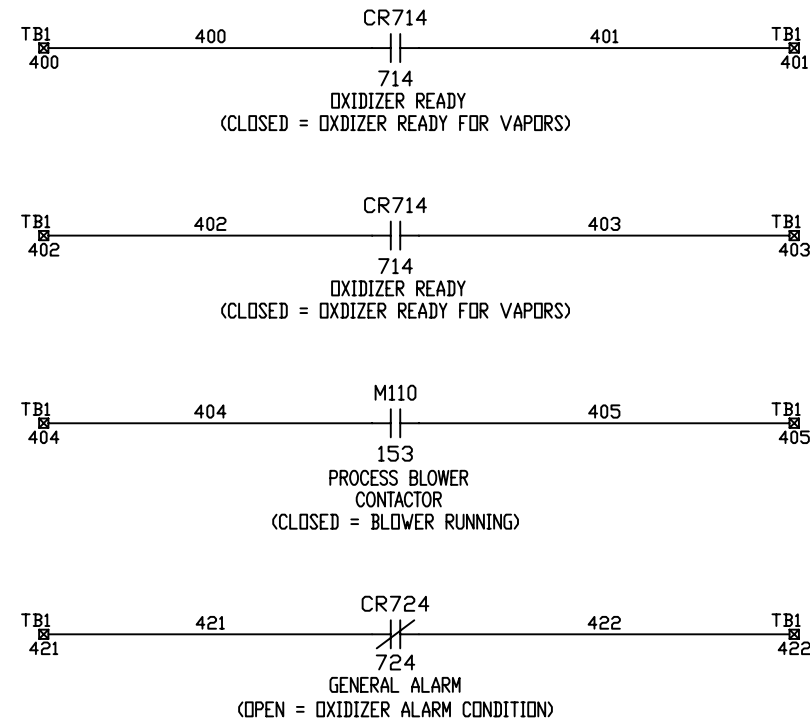


- CHART RECORDER JUMPER SETTINGS
- 1) FUSEBLOCK = F2 POSITION (120VAC)
 - 2) INPUT CARD #1: JUMPER W1/MA = MA
 - 3) INPUT CARD #1: JUMPER W3 = T/C
 - 4) INPUT CARD #2: JUMPER W1/MA = MA
 - 5) INPUT CARD #2: JUMPER W3 = T/C

Catalytic Combustion Corp 709 21st Avenue Bloomer, Wisconsin 54724 (t) 715-568-2882 (f) 715-568-2884	CUSTOMER: SRCO 4000G KERRY'S COUNTRY STORE		REVISION HISTORY	
	PROJECT NO: J-04-0090 DRAWING NO: J-04-0090-300	REV 0 DATE MEE	ACTION Submittal	APPR
	INFORMATION HEREIN IS THE PROPERTY OF CATALYTIC COMBUSTION CORP. ANY COPYING, TRANSMITTAL TO OTHERS, OR USE EXCEPT THAT FOR WHICH IT IS LOANED PROHIBITED	REV 1 DATE MEE	ACTION As Built (Ship Date)	APPR
		REV 2	ACTION Field Modified #1	APPR
			PAGE 7 OF 10	

800
801
802
803
804
805
806
807
808
809
810
811
812
813
814
815
816
817
818
819
820
821
822
823
824
825
826
827
828
829
830
831
832
833
834
835
836
837
838
839
840

OUTPUTS
(DRY CONTACTS)

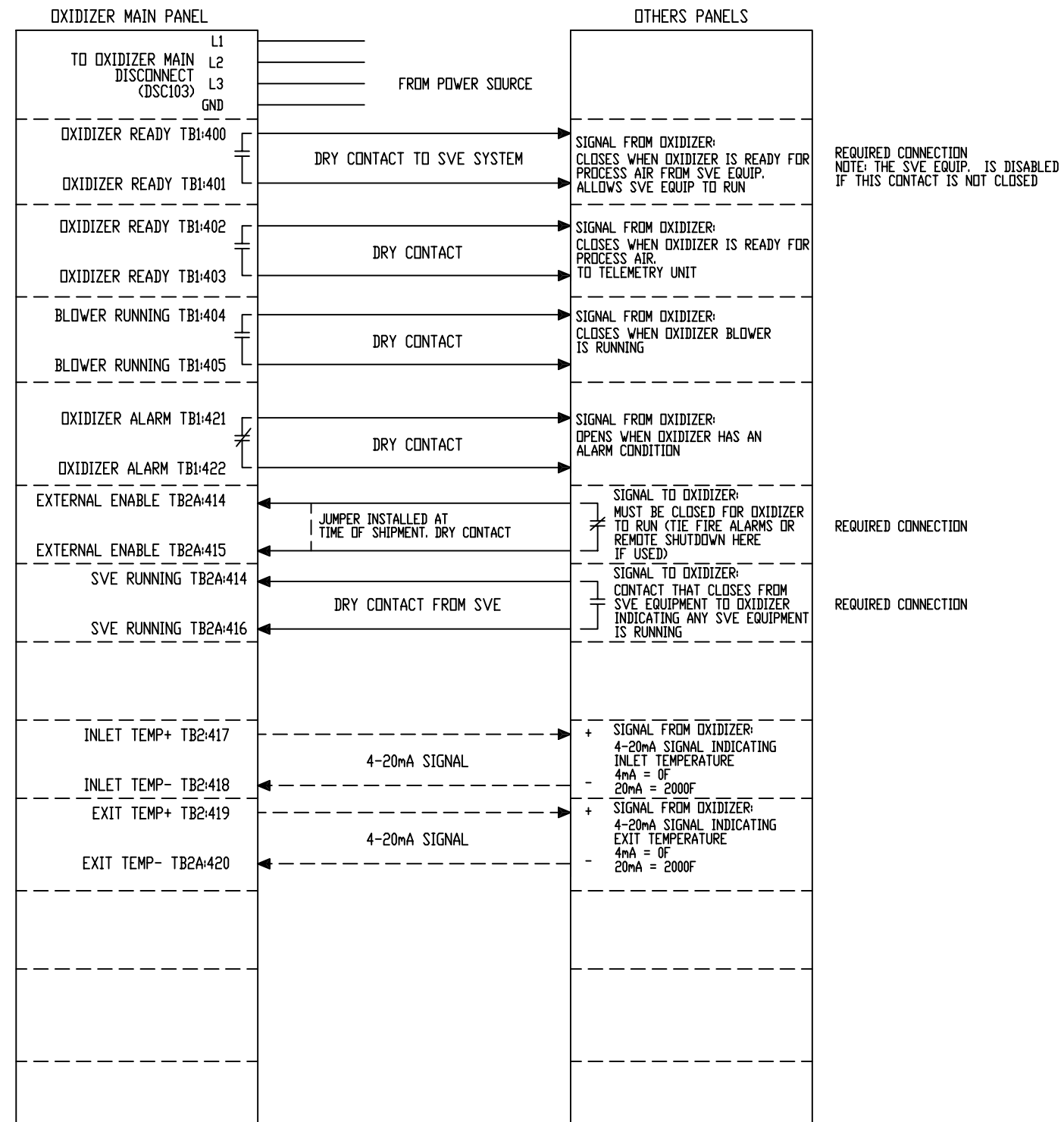


841
842
843
844
845
846
847
848
849
850
851
852
853
854
855
856
857
858
859
860
861
862
863
864
865
866
867
868
869
870
871
872
873
874
875
876
877
878
879
880
881

CATALYTIC COMBUSTION CORP. 709 21ST AVE BLOOMER, WI 54724 (T) 715-568-2882 (F) 715-568-2884	CUSTOMER: SRCO 4000G KERRY'S COUNTRY STORE		REVISION HISTORY	
	REV	DATE	ACTION	APPR
	0	07/14/04	SUBMITTAL	MEE
	1	12/02/04	AS BUILT	MEE
	2		FIELD MODIFIED	
INFORMATION HEREIN IS THE PROPERTY OF CATALYTIC COMBUSTION CORP. ANY COPYING, TRANSMITTAL TO OTHERS, OR USE EXCEPT THAT FOR WHICH IT IS LOANED IS PROHIBITED			PAGE 8 OF 10	

CONDUIT AND WIRING INFORMATION

SYSTEM INTERFACE REQUIRED CONNECTIONS



REQUIRED CONNECTION
NOTE: THE SVE EQUIP. IS DISABLED IF THIS CONTACT IS NOT CLOSED

REQUIRED CONNECTION

REQUIRED CONNECTION

INCOMING POWER: 460VAC/3PH/60Hz, 55 FLA

INCOMING POWER IS SUPPLIED BY OTHERS TO THE MAIN PANEL DISCONNECT. SEE SCHEMATIC LINE 101.
WIRE MUST BE SIZED TO ME NEC & LOCAL CODE REQUIREMENTS

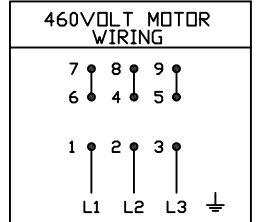
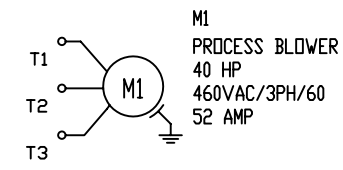
MOTOR CONNECTIONS

ALL FIELD WIRING FOR MOTORS SHALL BE BLACK IN COLOR AND SIZED TO MEET LOCAL & NEC REQUIREMENTS.
CONNECTIONS ARE TO BE MADE DIRECTLY FROM THE MOTOR OVERLOAD BLOCK AS SHOWN ON PAGE #1 OF THE SCHEMATIC.

ALL MOTOR GROUND CONNECTIONS ARE TO BE CONNECTED TO THE GROUND BAR ON THE PANEL.

ALWAYS ISOLATE MOTOR WIRING FROM LOW VOLTAGE WIRING.

MOTORS TO BE WIRED AS SHOWN BELOW:



BLOWERS PRE-WIRED FROM FACTORY

ELECTRICIAN'S WIRING NOTES

- 1) ISOLATE ALL LOW VOLTAGE AND HIGH VOLTAGE WIRING
- 2) NO HOLES ALLOWED IN TOP OF CONTROL PANEL
- 3) COVER CONTROL PANEL COMPONENTS WHILE DRILLING HOLES TO PREVENT METAL SHAVINGS FROM FALLING ON COMPONENTS
- 4) OXIDIZER MUST BE CHASSIS GROUNDED WITH 1/2" X 8' COPPER ROD
- 5) ALL DRY CONTACT WIRING FROM OXIDIZER PANEL TO EXTERNAL PANELS SHALL BE YELLOW 14AWG THHN WIRE
- 6) ALL 4-20mA WIRING MUST BE AT LEAST 20 AWG TWISTED SHIELDED PAIR WIRE

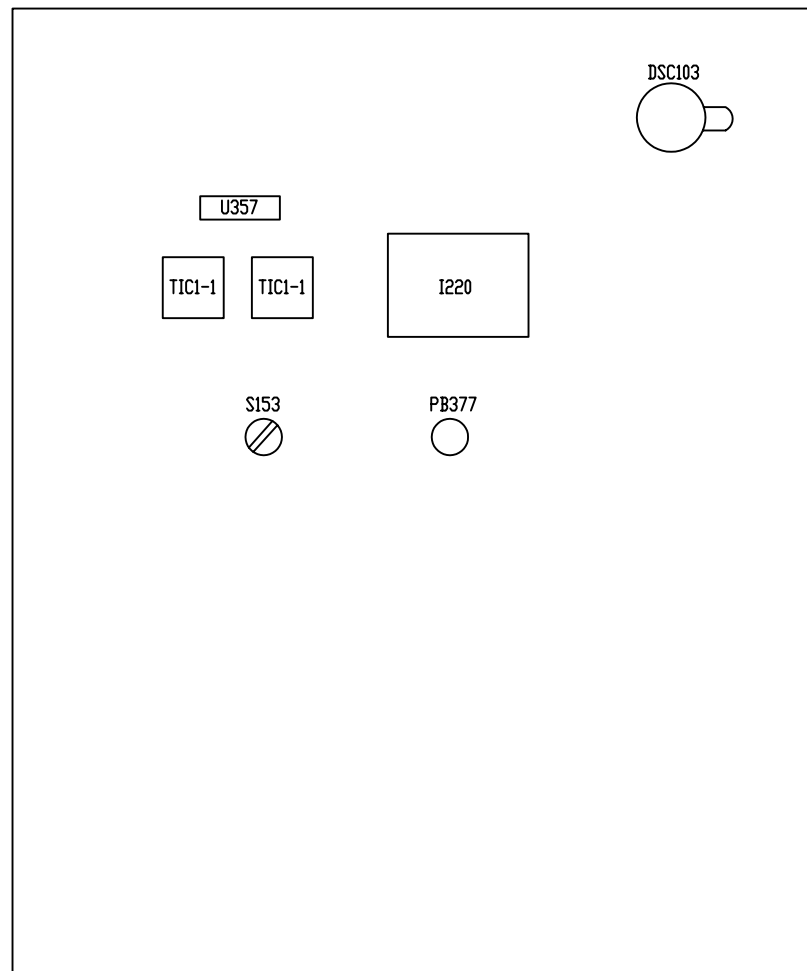
WIRE ASSIGNMENTS

- 120VAC - RED, 18AWG, TFFN, STRANDED
- N (2) - WHITE, 18 AWG, TFFN, STRANDED
- 24VDC - BLUE, 18 AWG, TFFN, STRANDED
- 0VDC - WHITE W/ BLUE STRIPE, 18 AWG, TFFN, STRANDED
- 460VAC - BLACK, TFFN, STRANDED
- THERMOCOUPLE - TYPE K EXTENSION WIRE, 22AWG, SHIELDED, TWISTED
- 4-20mA - SHIELDED TWISTED PAIR, 20AWG

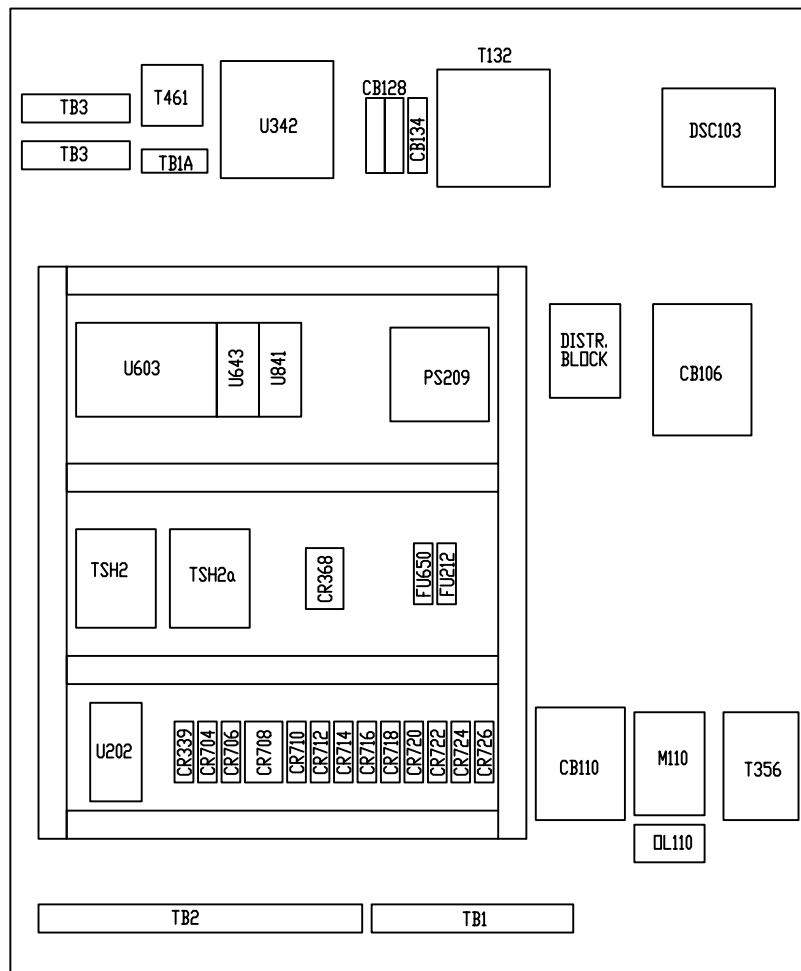
CATALYTIC COMBUSTION CORP. 709 21ST AVE BLOOMER, WI 54724 (T) 715-568-2882 (F) 715-568-2884	CUSTOMER: SRCO 4000G	REVISION HISTORY			
	WIRING INFORMATION COUNTRY STORE	REV	DATE	ACTION	APPR
	PROJECT NO: J040090	0	07/14/04	SUBMITTAL	MEE
	DRAWING NO: J-04-0090-300	1	12/02/04	BUILT (SHIPPED)	MEE
INFORMATION HEREIN IS THE PROPERTY OF CATALYTIC COMBUSTION CORP. ANY COPYING, TRANSMITTAL TO OTHERS, OR USE EXCEPT THAT FOR WHICH IT IS LOANED IS PROHIBITED		2		FIELD MODIFIED	
PAGE 9 OF 10					

PANEL LAYOUT & TERMINAL DIAGRAM

SWING OUT PANEL



BACK PANEL



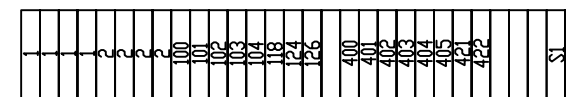
36' X 30' X 12'

TERMINAL ASSIGNMENTS

TB1A - WHITE TERMINALS



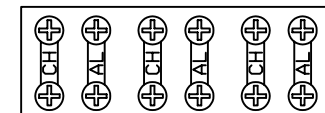
TB1 - WHITE TERMINALS (BOTTOM OF PANEL)



TB2 - BLACK TERMINALS (24VDC)

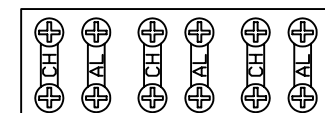


TB3 - THERMOCOUPLE TERMINALS



INLET THERMOCOUPLE

300 301 302 303 304 305



EXIT THERMOCOUPLE

306 307 308 309 310 311

CATALYTIC COMBUSTION CORP. 709 21ST AVE BLOOMER, WI 54724 (T) 715-568-2882 (F) 715-568-2884	CUSTOMER: SRCO 4000G PANEL LAYOUT TERMINAL ASSIGNMENT	REVISION HISTORY			
	PROJECT NO: J040090	REV	DATE	ACTION	APPR
	DRAWING NO: J-04-0090-300	0	07/14/04	SUBMITTAL	MEE
	INFORMATION HEREIN IS THE PROPERTY OF CATALYTIC COMBUSTION CORP. ANY COPYING, TRANSMITTAL TO OTHERS, OR USE EXCEPT THAT FOR WHICH IT IS LOANED IS PROHIBITED	1	12/02/04	BUILT (SHIPPED)	MEE
	2		FIELD MODIFIED		
PAGE 10 OF 10					