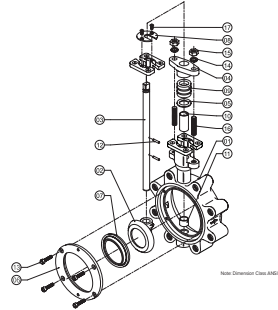


# High Performance Butterfly Valve

Lug Style, Stainless Steel Body, Stainless Steel Disc and Stem, ANSI Class 150

## HPBFV STAINLESS STEEL 150 CLASS



### FEATURES

- Corrosion Resistant One-Piece Body
- RPTFE, Fire-Safe, or Metal Seats Available
- Bubble-Tight Shut-off Design
- Durable One-Piece Stem
  - A564 Gr.630/17-4 PH® Materials
- ISO 5211 Mounting Pad
  - 2" - 12" = Square Design
  - 14" - 24" = Keyed Design
- Dual Offset Disc Design
- Internal Stop to Prevent Disc Over-Travel
- Tight Gland Packing Flange to Prevent Uneven Load Distribution
- Bidirectional for Dead End Service
- 29 in-Hg Vacuum Rating

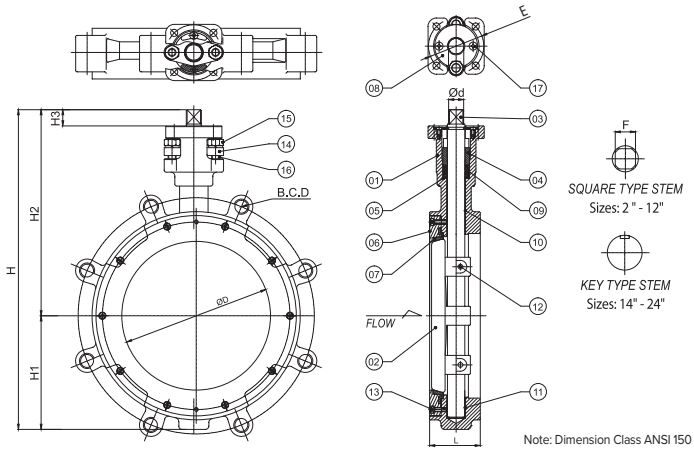
### VALVE SEAT RATING

- Basic Design: API 609, MSS-SP-68, BS 5155, ISO 5752
- Pressure / Temperature Rating = ANSI B16.34
- Shell / Seat Test = API 598, MSS-SP-61
- Working Pressure = Class 150 (285 PSIG)
- Metal to Metal Seat Leakage = Class IV per ASME/FCI 70-2

### MATERIALS

No.	Part	RPTFE Seat	Fire-Safe	Metal Seat	Quantity
1	Body	-	Seat	-	1
2	Disc	-	A351 CF8M	-	1
3	Stem	-	A564 Gr. 630	-	1
4	Gland Flange	-	A351 CF8M	-	1
5	Packing Retainer	-	A276 TP 316	-	1
6	Retainer Ring	-	A351 CF8M	-	1
7	Seat	RPTFE	RTFE/316SS	316SS	1
8	Top Retainer	-	A276 TP 316	-	1
9	Grand Packing	-	Graphite	-	3
10	Upper Bearing	-	RPTFE+316SS	-	1
11	Lower Bearing	-	RPTFE+316SS	-	1
12	Disc Pin	-	A276 TP 316	-	2
13	Hex Socket Bolt	-	A276 316SS	-	4 ~ 14
14	Spring Washer	-	A276 316SS	-	2
15	Hex Nut	-	A276 316SS	-	2
16	Stud Bolt	-	A276 316SS	-	2
17	Flat Head Screw	-	A276 316SS	-	2

## Dimensions



### DIMENSIONS

Size (in)	H	H1	H2	H3	Ød	F	ØD	E	L	B.C.D	n*	h*	Bolt Size
2"	8.63	2.36	6.27	0.60	0.51	0.43	1.65	F07	1.73	4.75	4	0.75	5/8" x 1-1/4"
2-1/2"	9.54	2.76	6.78	0.60	0.63	0.55	2.40	F07	1.81	5.50	4	0.75	5/8" x 1-1/2"
3"	9.85	3.01	6.84	0.60	0.63	0.55	2.91	F07	1.89	6.00	4	0.75	5/8" x 1-3/4"
4"	11.07	3.54	7.53	0.70	0.63	0.55	3.70	F07	2.13	7.50	8	0.75	5/8" x 1-7/8"
5"	12.55	4.09	8.45	0.70	0.71	0.55	4.65	F07	2.24	8.50	8	0.87	3/4" x 1-7/8"
6"	13.62	4.53	9.09	0.75	0.87	0.67	5.51	F07	2.28	9.50	8	0.87	3/4" x 2"
8"	15.91	5.65	10.26	0.81	0.87	0.67	7.40	F07	2.52	11.75	8	0.87	3/4" x 2-1/4"
10"	18.44	6.69	11.75	0.81	1.10	0.87	9.39	F10	2.81	14.25	12	1.00	7/8" x 2-1/4"
12"	20.63	7.76	12.88	0.95	1.10	0.87	11.02	F10	3.19	17.00	12	1.00	7/8" x 2-1/2"
14"	26.87	11.00	15.87	2.76	1.50	-	-	F14	3.62	18.75	12	1.13	1" x 2-1/2"
16"	31.66	12.54	19.12	3.48	1.77	-	-	F16	4.02	21.75	16	1.13	1" x 3"
18"	33.73	13.31	20.41	3.48	2.17	-	-	F16	4.49	22.75	16	1.25	1-1/8" x 3"
20"	34.59	14.17	20.41	3.48	2.17	-	-	F16	5.00	25.00	20	1.25	1-1/8" x 3-1/4"
24"	39.76	16.70	23.05	3.68	2.56	-	-	F16	6.06	29.50	20	1.37	1-1/4" x 3-1/2"



## Torque Data

### ACTUAL TORQUE: LBF.INCH


Size (in)	RPTFE SEAT		METAL SEAT	
	150 PSIG	285 PSIG	150-PSIG	285 PSIG
2"	200	270	564	677
2-1/2"	200	270	564	677
3"	200	270	564	677
4"	225	470	903	1128
5"	540	680	1467	2144
6"	540	680	1467	2144
8"	910	1620	2031	2595
10"	1620	2530	3385	4288
12"	2530	3600	4513	5190
14"	3720	5970	-	-
16"	5530	9180	-	-
18"	6840	11900	-	-
20"	10020	16970	-	-
24"	18330	32290	-	-

There are multiple factors that affect the torque required to operate butterfly valves. Please consult Jomar Valve for additional assistance.

## Flow Coefficient Charts

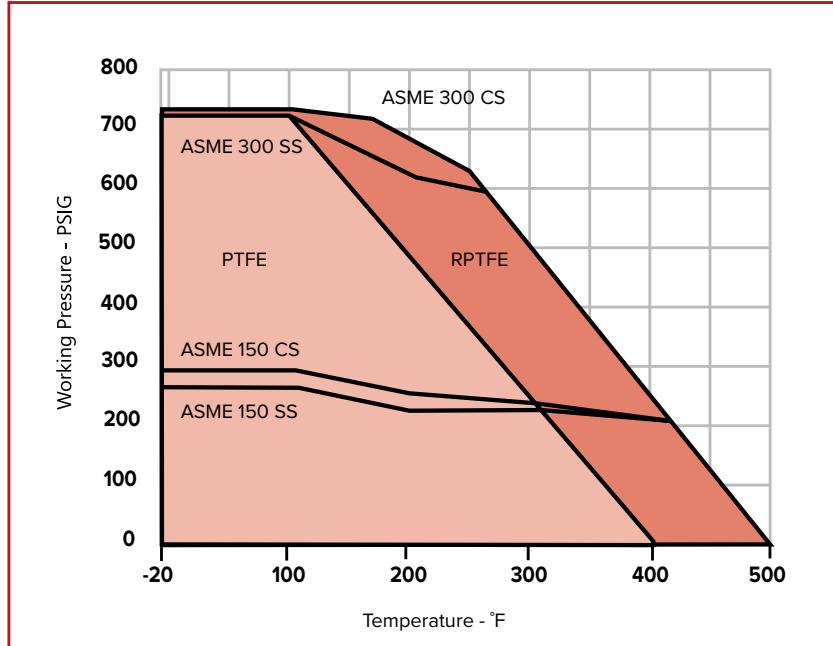
### DISC OPENING

Inches	20°	30°	40°	50°	60°	70°	80°	90°
	Cv							
2"	6	14	25	39	56	76	99	102
2-1/2"	9	21	37	56	80	110	142	146
3"	14	32	57	87	125	171	221	228
4"	27	63	114	171	248	338	437	451
5"	43	100	180	271	392	535	692	714
6"	66	154	278	419	607	827	1070	1103
8"	124	289	520	784	1135	1584	2002	2064
10"	211	492	886	1336	1934	2638	3411	3517
12"	290	677	1219	1838	2660	3628	4690	4837
14"	392	914	1646	2481	3592	4898	6530	6857
16"	531	1230	2229	3361	4865	6634	8845	9287
18"	684	1596	3873	4332	6270	8850	11270	11400
20"	828	1932	3478	5244	7590	10350	13800	14420
24"	1260	2940	5292	7890	11550	15750	21000	22050

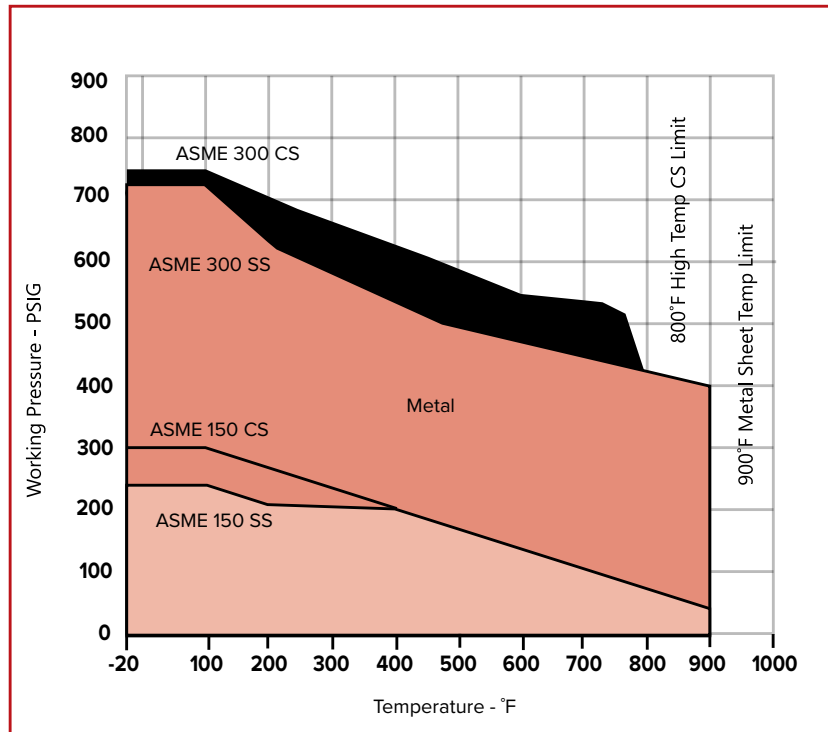
 WARNING: This product can expose you to chemicals including lead, which is known to the State of California to cause cancer, birth defects or other reproductive harm. For more information go to [www.P65Warnings.ca.gov](http://www.P65Warnings.ca.gov).

## Technical Data

### PTFE & RPTFE Seat

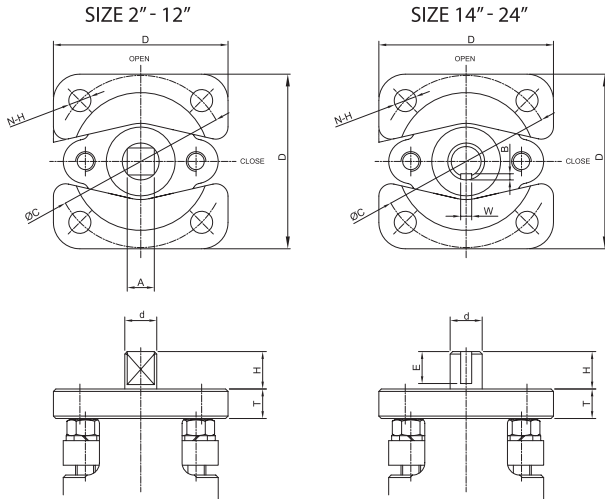


### Metal Seat, 150 Class



# Butterfly Valve Top Flange Dimensions

## High Performance Class 150



Size	d	T	ØC	N-H	A	D	B	W	H	E
2"	0.51	0.47	F07	0.35	0.43	2.80	-	-	0.60	-
2-1/2"	0.63	0.47	F07	0.35	0.55	2.80	-	-	0.60	-
3"	0.63	0.47	F07	0.35	0.55	2.80	-	-	0.60	-
4"	0.63	0.47	F07	0.35	0.55	2.80	-	-	0.70	-
5"	0.71	0.55	F07	0.35	0.55	2.80	-	-	0.70	-
6"	0.87	0.55	F07	0.35	0.67	2.80	-	-	0.75	-
8"	0.87	0.63	F07	0.35	0.67	2.80	-	-	0.81	-
10"	1.00	0.71	F10	0.43	0.87	3.74	-	-	0.81	-
12"	1.10	0.71	F10	0.43	0.87	3.74	-	-	0.95	-
14"	1.50	0.71	F14	0.71	-	5.51	0.20	0.47	2.76	2.36
16"	1.77	0.79	F16	0.87	-	6.30	0.20	0.47	3.48	2.76
18"	2.17	0.79	F16	0.87	-	6.30	0.20	0.47	3.48	2.76
20"	2.17	0.79	F16	0.87	-	6.30	0.20	0.47	3.48	2.76
24"	2.17	0.79	F16	0.87	-	6.30	0.20	0.47	3.68	2.76

## Material Selection / How to Order

