



Model Number: GR3-CI-TF-215TC-4-B-D-10

MFG PN: 1296

List Price:

All data shown at HIGH voltage setting

Format: STD 3 Phase

Electrical Data				General Data			
Rated Motor Output Power	10.0	HP		Frame Size	215TC		
Rated Motor Speed	1750	r/min 60Hz		Enclosure	TEFC		
	1445	r/min 50Hz		Mounting	Rigid/C-Flange		
Rated Motor Voltage (3 Phase)	230/460	V/60Hz		NEMA Design	A		
	190/380	V/50Hz		IP Rating	55		
Rated Motor Current	24/12	A (In) @ 60Hz		Insulation Class	F		
	30/15	A (In) @ 50Hz		Tropicalization	1		
FL Current @ 208V	None	A (In) @ 60Hz		Duty	Cont. / S1		
Service Factor	1.25	@ 60Hz		Cable Entry	1-NPT 1"		
	1.25	@ 50Hz		Feet Removable	1		
KVA Code	L	60Hz		Double Drilled	0		
	H	50Hz		Frame Material	Cast Iron		
Nominal Efficiency	91.7	% @ 60Hz		Shaft Material	None		
	87.5	% @ 50Hz		Coating	RAL	7024	
Nominal Power Factor	0.84	cos ϕ @ 60Hz					
Full Load Torque Ft-Lb	S			Mechanical Data			
Load Data	Trq Ft-Lb	Trq %FL	Current Amps	Bearing DE Side	6308ZZ		
Locked Rotor				Bearing NDE Side	6308ZZ		
Breakdown	115.3596	383.0	-	Comp Ring (wavy washer)	None		
Pull Up	60.24	200.0	-	Weight	181.9125	Lbs	
Load Data	RPM	Eff %	Current Amps	Moment of Inertia	None	kg.m3	
125% of FL	1171.8	90.64	12.41	Site Conditions			
75% of FL	1184.4	91.43	8.49	Temp Rise @ Full Load °C	B	@ 60Hz	
50% of FL	1189.7	90.32	6.98	Ambient Temperature °C	40		
No Load	1199.0	0	5.59	Altitude Above Sea Level (M)	1000		
Brake Torque (N-M)	100.0		Loaded Torque Curves		None		
Brake Coil Voltage	None		P1 = Output Power (KW), S = Slip (% of Sync RPM), η = Efficiency (%), cos ϕ = Power Factor				

CT VFD Range	
Haz Loc Rating	
Options:	
UL File Number	
CSA File Number	
DOE File Number	
CE APPROVAL	
Wiring Diagram	NEMA-3-9-YY-Y
3 Phase - YY/Y - 9 Lead	
4,1 Blue / 5,2 White / 6,3 Org / 7 Yl / 8 Blk / 9 RD	
Cast Iron- 1,2,3 Top - 4,5,6,7,8,9 Bottom	
Aluminum - 4,5,6,8,9 Top - 1,2,3,7 Bottom	
CONNECTIONS	
LOW VOLTAGE	HIGH VOLTAGE

Techtop Industries -2815 Colonnades Court - Peachtree Corners, GA 30071 - Phone: (678) 436-5540

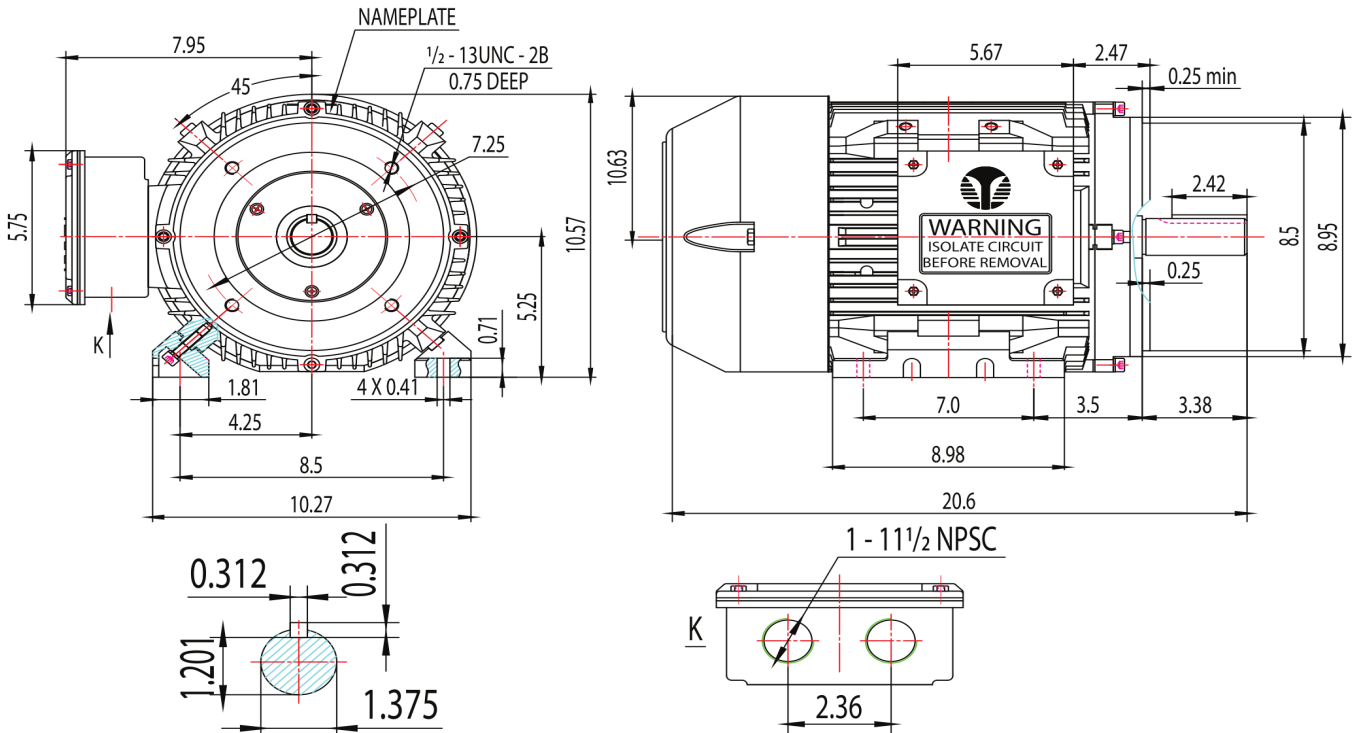


Model Number:	GR3-CI-TF-215TC-4-B-D-10
MFG PN:	
List Price:	1296

Dimensional Drawing (For Reference Only)

GR3-CI-TF-215TC-CFC-2D

FRAME: 215TC | HP: | RPM: | PHASE: 3 | VOLT: 208 - 230/460V | ENCL: TEFC | FREQ: 60 Hz | FLA: | LRA:



TECHTOP
 MATERIAL:
 UNITS: INCH | BY: SSEE
 DRAWN: 6/18/2018
 WWW.TECHTOP.COM

MODEL NUMBER:	REV	BY	DATE	CHANGES
GR3-CI-TF-215TC	1			
MFG PN:	2			
	3			
	4			
	5			
	6			
	7			

Components

Item	Model	Description	List Price
C-Face Kit			

D-Flange Kit			
DE Endplate Kit			
NDE Endplate Kit			
Junction Box			
Cooling Fan Cover			
Cooling Fan			
Replacement Feet			
DE Bearing Retainer Kit			
NDE Bearing Retainer Kit			

Techtop Industries -2815 Colonnades Court - Peachtree Corners, GA 30071 - Phone: (678) 436-5540