



<b>Model Number:</b>	GR3-CI-TF-145TC-4-B-D-2
<b>MFG PN:</b>	543
<b>List Price:</b>	

All data shown at HIGH voltage setting

Format: STD 3 Phase

Electrical Data				General Data			
Rated Motor Output Power	2.0	HP		Frame Size	145TC		
Rated Motor Speed	1730	r/min 60Hz		Enclosure	TEFC		
	1425	r/min 50Hz		Mounting	Rigid/C-Flange		
Rated Motor Voltage (3 Phase)	230/460	V/60Hz		NEMA Design	A		
	190/380	V/50Hz		IP Rating	55		
Rated Motor Current	5.55/2.78	A (In) @ 60Hz		Insulation Class	F		
	7.4/3.7	A (In) @ 50Hz		Tropicalization	1		
FL Current @ 208V	None	A (In) @ 60Hz		Duty	Cont.		
Service Factor	1.25	@ 60Hz		Cable Entry	1-NPT		
	1.25	@ 50Hz		Feet Removable	1		
KVA Code	K	60Hz		Double Drilled	0		
	J	50Hz		Frame Material	Cast		
Nominal Efficiency	86.5	% @ 60Hz		Shaft Material	None		
	82.0	% @ 50Hz		Coating	RAL	7024	
Nominal Power Factor	0.75	cos $\phi$ @ 60Hz					
Full Load Torque Ft-Lb	S			Mechanical Data			
Load Data	Trq Ft-Lb	Trq %FL	Current Amps	Bearing DE Side	6205ZZ		
Locked Rotor				Bearing NDE Side	6205ZZ		
Breakdown	19.68000205	325.0	-	Comp Ring (wavey washer)	None		
Pull Up	12.89797057	213.0	-	Weight	59.535	Lbs	
Load Data	RPM	Eff %	Current Amps	Moment of Inertia	None	kg.m3	
125% of FL	3472.1	85.23	3.14	Site Conditions			
75% of FL	3529.7	86.37	2.08	Temp Rise @ Full Load °C	B	@ 60Hz	
50% of FL	3554.1	84.53	1.67	Ambient Temperature °C	40		
No Load	1199.0	0	1.29	Altitude Above Sea Level (M)	1000		
Brake Torque (N-M)	100.0		Loaded Torque Curves		None		
Brake Coil Voltage	None		P1 = Output Power (KW), S = Slip (% of Sync RPM), $\eta$ = Efficiency (%), cos $\phi$ = Power Factor				

<b>CT VFD Range</b>	
Haz Loc Rating	
Options:	
<b>UL File Number</b>	
<b>CSA File Number</b>	
<b>DOE File Number</b>	
<b>CE APPROVAL</b>	
<b>Wiring Diagram</b>	<b>NEMA-3-9-YY-Y</b>
<b>3 Phase - YY/Y - 9 Lead</b>	
4,1 Blue / 5,2 White / 6,3 Org / 7 Yl / 8 Blk / 9 RD	
Cast Iron- 1,2,3 Top - 4,5,6,7,8,9 Bottom	
Aluminum - 4,5,6,8,9 Top - 1,2,3,7 Bottom	
<b>CONNECTIONS</b>	
LOW VOLTAGE	HIGH VOLTAGE

Techtop Industries -2815 Colonnades Court - Peachtree Corners, GA 30071 - Phone: (678) 436-5540

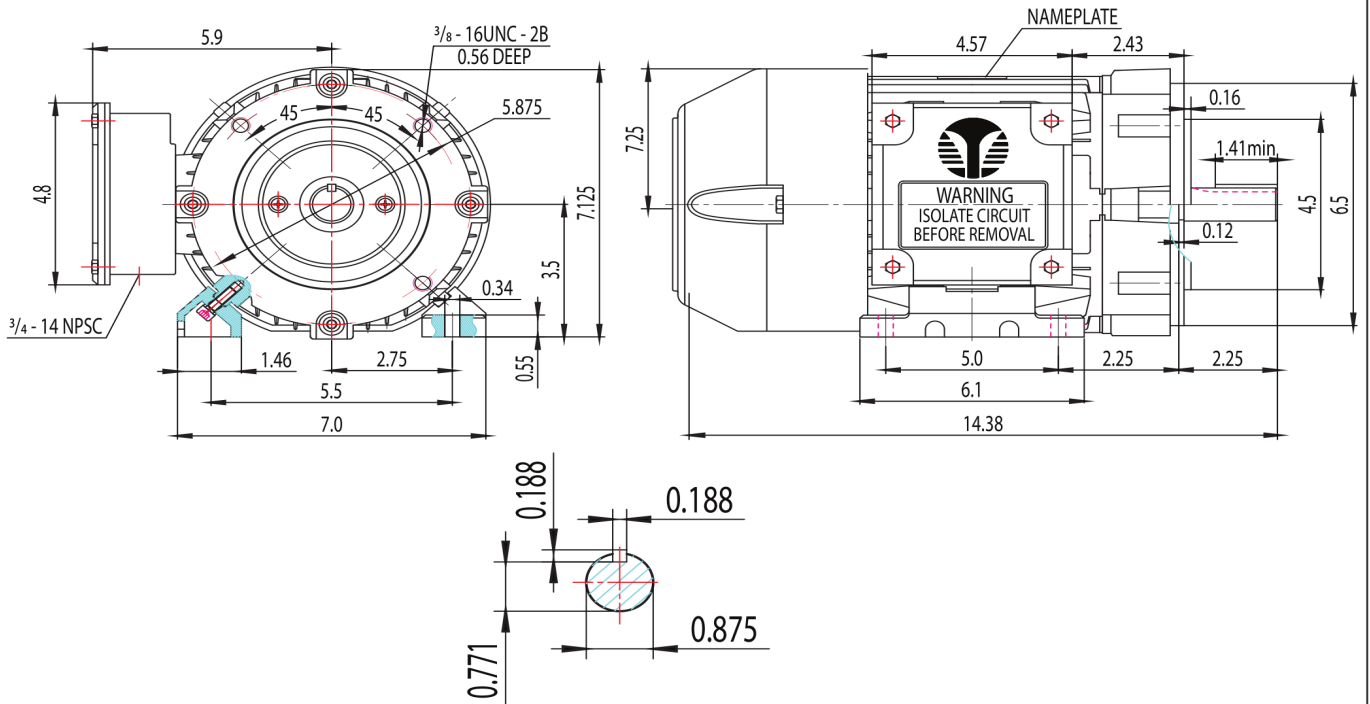


<b>Model Number:</b>	GR3-CI-TF-145TC-4-B-D-2
<b>MFG PN:</b>	
<b>List Price:</b>	543

Dimensional Drawing (For Reference Only)

GR3-CI-TF-145TC-CFC-2D

FRAME: 145TC | HP: | RPM: | PHASE: 3 | VOLT: 208 - 230/460V | ENCL: TEFC | FREQ: 60 Hz | FLA: | LRA:



	MODEL NUMBER:	REV	BY	DATE	CHANGES
	GR3-CI-TF-145TC	1			
	MFG PN:	2			
		3			
		4			
		5			
		6			
MATERIAL: _____ UNITS: INCH   BY: SSEE DRAWN: 6/15/2018 WWW.TECHTOP.COM					

**Components**

Item	Model	Description	List Price
C-Face Kit			

D-Flange Kit			
DE Endplate Kit			
NDE Endplate Kit			
Junction Box			
Cooling Fan Cover			
Cooling Fan			
Replacement Feet			
DE Bearing Retainer Kit			
NDE Bearing Retainer Kit			

Techtop Industries -2815 Colonnades Court - Peachtree Corners, GA 30071 - Phone: (678) 436-5540