

**TECHNICAL DATA SHEET PHOENIX P07**



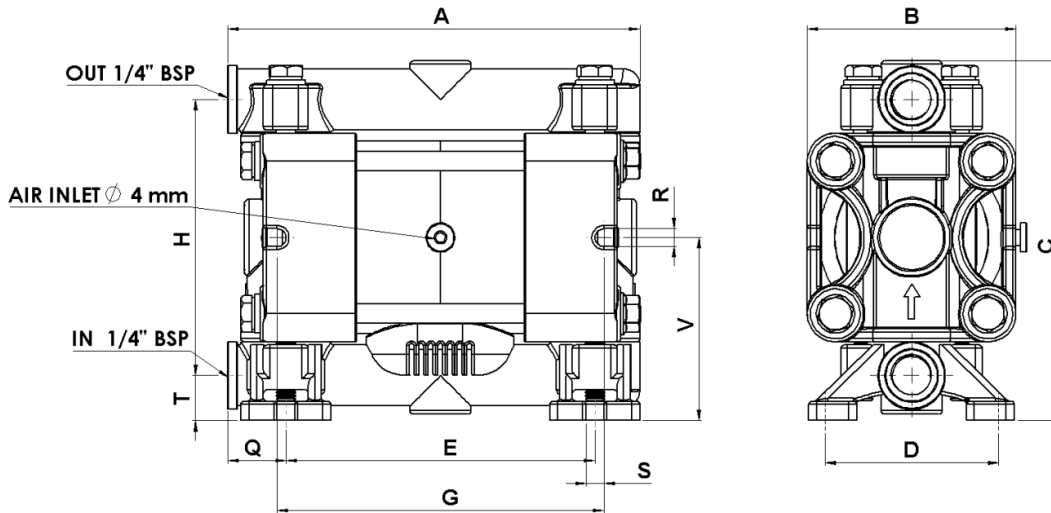
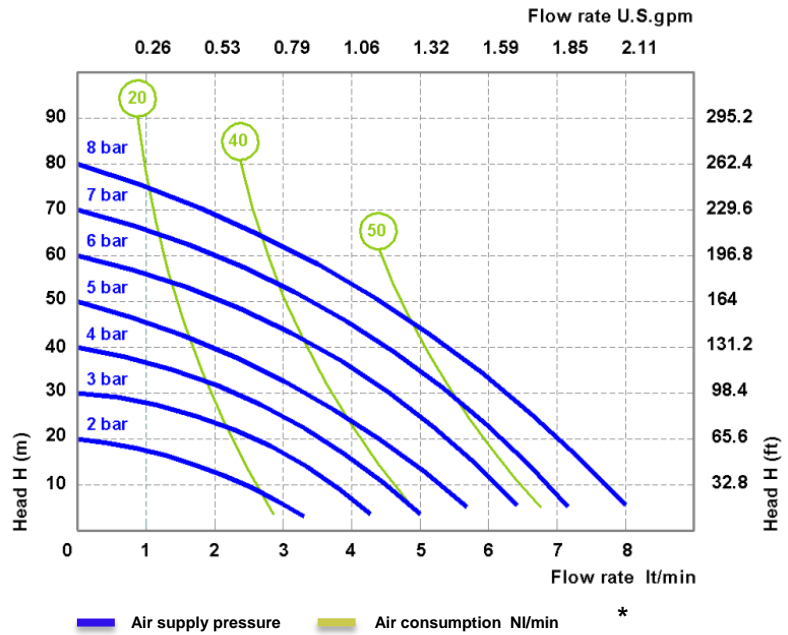
PP

PVDF+CF

POMc

**TECHNICAL DATA P07**

- FLUID CONNECTIONS : 1/4" BSP
- AIR CONNECTION : 4 mm
- MAX FLOW RATE : 8 lt/min
- MAX AIR PRESSURE: 8 bar
- MAX DELIVERY HEAD: 80 m
- MAX SUCTION LIFT DRY: 3 m
- MAX SUCTION LIFT WET: 9,8 m
- MAX SOLID PASSING: 2,5 mm
- NOISE LEVEL: 62 dB
- DISPLACEMENT FOR CYCLE: 8 cc
- MAX VISCOSITY : 6.000 cps
- ATEX zone 2 : EX II 3/3 GD c IIB T135°C



PHOENIX P07	A	B	C	D	E	G	H	Q	R	S	T	V	Weight Kg	Max Temperature
PP	129	65	112	54	96	102	86	18	5.5	5.5	14	57	0.9	65 °C
PVDF+CF	129	65	112	54	96	102	86	18	5.5	5.5	14	57	0.7	95°C
POMc	129	65	112	54	96	102	86	18	5.5	5.5	14	57	0.9	95 °C

\* The curves and performance values refer to pumps with submerged suction and a free delivery outlet with water at 20°C, and vary according to the construction material. Technical data are approximate and not binding for the manufacturer who reserves the right to change them without notice at any time.

**COMPOSITION**

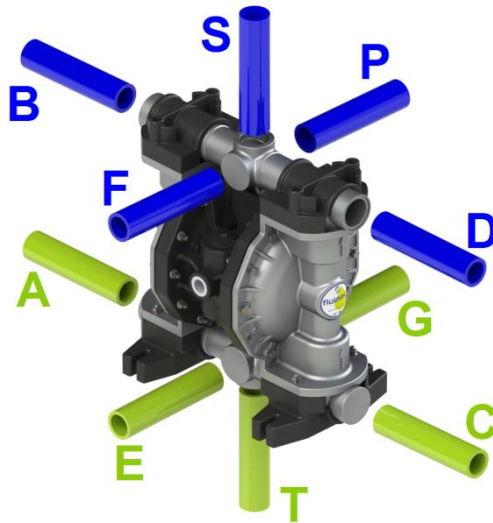
MODEL	CASING	DIAPHRAGM	BALL	SEATS	GASKET	CONNECTIONS	ATEX	PORTS IN/OUT
P0007	P= PP KC= PVDF+CF O= POMc	NT=NBR+PTFE	T= PTFE S= SS	P=PP K=PVDF O=POMc	D=EPDM V=VITON N=NBR T=PTFE	1=BSP 5=NPT	- = zone 2	AB=Standard

**AVAILABLE CONNECTIONS**

Standard = A B

IN = A-T-C

OUT =B-S-D



**HOW TO READ THE CODE**

