

Carbon Steel Ball Valve



2 Piece • Full Port • Flanged Connection • Stainless Steel Trim • 300 Class



CRN# 0C15754.524

FL-CS-100-300

Features

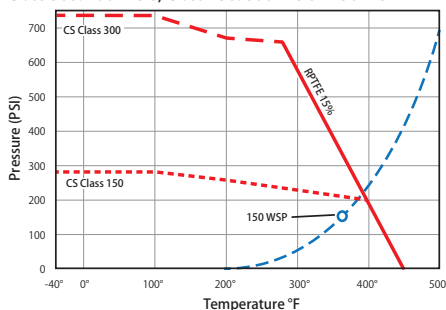
- Raised Face Flange
- Wrench Operator
- Locking Device Comes Standard
- Fire Safe Stem and Body Graphite Seals
- Air Tested Seat Leakage: 85 PSI
- Hydraulic Tested Body: 1124 PSI
- 100% Leak Tested
- Wetted Surfaces Contain Less than .25% Lead Content
- Repair Kits Available

Approvals

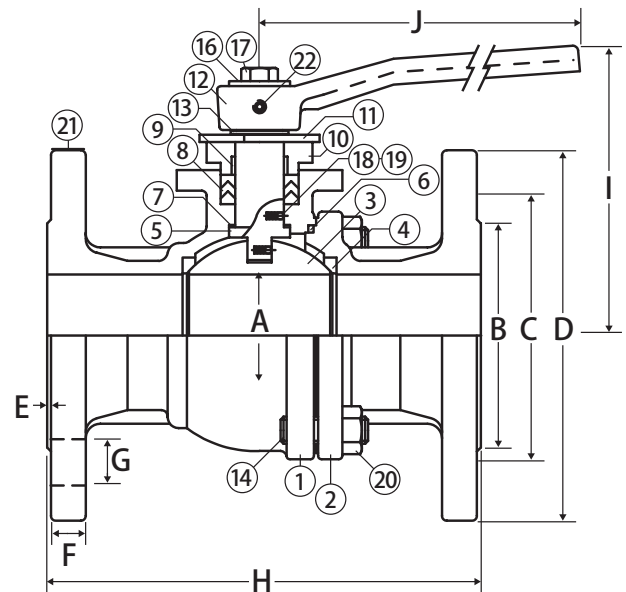
- CSA Certified
 - ASME B16.33 (125 PSIG) (2")
 - ASME B16.38 (125 PSIG) (3" - 8")
 - CSA 3.16-15 (125 PSIG) (2" - 8")
- Conforms to ANSI B16.34
- Flange: ANSI B16.5
- Face-to-Face: ANSI B16.10
- API 607 Fire Safe
- Buy American Act Compliant

Valve Seat Rating

Class 300: 700 WOG, Class 150: 300 WOG - 150 WSP



WARNING: This product can expose you to chemicals including diisononyl phthalate (DINP), which is known to the State of California to cause cancer, and diisononyl phthalate (DINP), which is known to the State of California to cause birth defects or other reproductive harm. For more information go to www.P65Warnings.ca.gov.



Material Specifications

No.	Part	Materials
1	Body	WCB Carbon Steel
2	Body Cap	WCB Carbon Steel
3	Ball	CF8 Stainless Steel
4	Seat (2) [†]	RPTFE - 15%
5	Stem	304 Stainless Steel
6	Body Seal [†]	PTFE / Graphite
7	Stem Seal [†]	PTFE
8	Packing Gland (3) [†]	PTFE / Graphite
9	Gland Bushing [†]	PTFE
10	Gland Flange	CF8 Stainless Steel
11	Stop Plate	304 Stainless Steel
12	Handle	Ductile Iron
13	Snap Ring	301 Stainless Steel
14	Body Bolt (4 or 6)	A193-B8 Steel
15	Gland Bolt (2)*	A193-B8 Steel
16	Handle Washer	304 Stainless Steel
17	Handle Bolt	304 Stainless Steel
18	Static Device (2)	304 Stainless Steel
19	Spring (2)*	304 Stainless Steel
20	Body Nut (4 or 6)**	A194-8M Steel
21	Tag	304 Stainless Steel
22	Set Screw	304 Stainless Steel

* Not shown in drawing, ** Component only on +5" valves, [†]Included in repair kit

Dimensions

Part No.	Size	A	B	C	D	E	F	G	H	I	J	Bolts	Torque	Cv	ISO5211
600-228	2"	1.97	3.62	5.00	6.50	0.06	0.81	0.75	8.50	5.28	9.06	8	1068	486	F07
600-230	3"	3.15	5.00	6.62	8.27	0.06	1.06	0.88	11.10	6.14	13.78	8	1752	1277	F10
600-231	4"	3.94	6.19	7.88	10.00	0.06	1.19	0.88	12.00	6.98	15.75	8	3216	2055	F10
600-232	6"	5.90	8.51	10.64	12.53	0.06	1.38	0.88	15.88	10.51	33.46	12	6900	4923	F12
600-233*	8"	7.88	10.64	13.00	15.01	0.06	1.56	1.00	19.75	13.23	43.31	12	16620	9036	F14

*8" Special Order