

## Check Valve

Cast Iron, Wafer Style, Double Door, Aluminum Bronze Disc, 125 Class

**F-591**



Install 5 pipe diameters minimum downstream from pump discharge or changes in direction to avoid flow turbulence. Flow straighteners may be required in extreme cases.

Note: On pump discharge, the preferred check valves are: inline, spring assisted, center-guided, lift checks.

### CERTIFICATIONS/APPROVALS

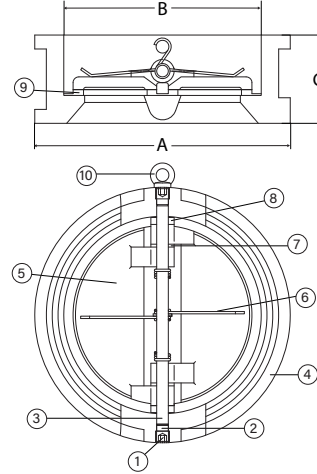
ANSI B16.1

### PRESSURE/TEMPERATURE RATING

Class 125

Lead Free Compliant

14°F - 176°F



### MATERIALS

No.	Part	Material
1	Screw	Carbon Steel
2	Sealing Ring	NBR/EPDM
3	Shaft	Stainless Steel - SS316
4	Body	CI/DI
5	Disc	Aluminum Bronze - C95400
6	Spring	Stainless Steel - SS316
7	Gasket	PTFE
8	Gasket	PTFE
9	Seat	NBR/EPDM
10	Lifting Ring (For 8" and above)	Carbon Steel

### DIMENSIONS

Part No	Size	Weight	A	B	C	C <sub>v</sub>
105-925	2-1/2"	11	4.84	3.15	1.81	120
105-903	3"	13	5.59	3.7	2.52	226
105-904	4"	20	6.18	4.61	2.52	404
105-906	6"	33	8.58	6.69	2.99	1075
105-908	8"	62	10.55	8.82	3.5	1920
105-910	10"	56	12.91	10.43	4.49	3360
105-912	12"	90	14.76	12.2	4.49	5320