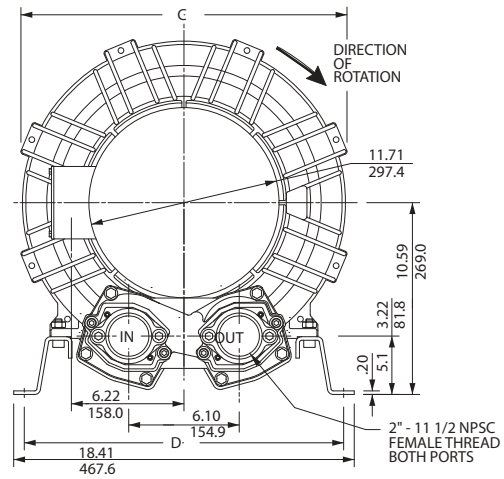
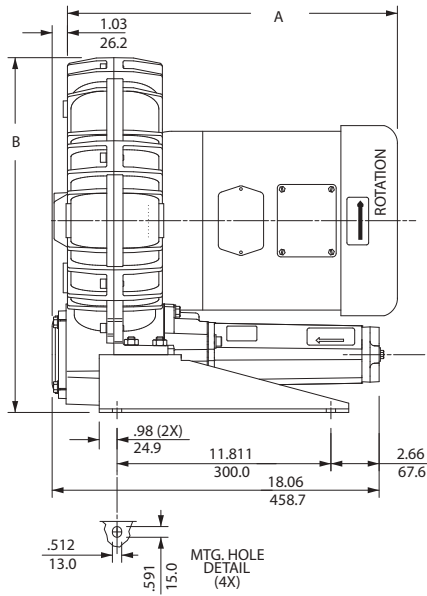


7.5 HP High Pressure Sealed Regenerative w/Explosion-Proof Motor



IN
MM

NOTES

- 1 TERMINAL BOX CONNECTOR HOLE 3/4" NPT FEMALE THREAD.
- 2 DRAWING NOT TO SCALE, CONTACT FACTORY FOR SCALE CAD DRAWING.
- 3 CONTACT FACTORY FOR BLOWER MODEL LENGTHS NOT SHOWN.

MODEL	A	B	C	D
EN633	18.1	18.94	16.7	17.3
EN833	18.2	19.59	18.0	17.6

Specification	Units	Part/Model Number	
		EN833BA72LM	CP833FY72LRM
		081712	081708
Motor Enclosure - Shaft Mtl.	-	XP-CS	CHEM XP-SS
Horsepower	-	7.5	7.5
Voltage	AC	208-230/460	208-230/460
Phase - Frequency	-	Three - 60 Hz	Three - 60 Hz
Insulation Class	-	B	B
NEMA Rated Motor Amps	Amps (A)	20-18/9.3	20-18/9.3
Service Factor	-	1.0	1.0
Max. Blower Amps	Amps (A)	19/9.5	19/9.5
Locked Rotor Amps	Amps (A)	177/88.7	177/88.7
Starter Size	-	1/1	1/1
Shipping Weight	Lbs	297	297
	Kg	134.7	134.7

Voltage - ROTRON motors are designed to handle a broad range of world voltages and power supply variations. Our dual voltage 3 phase motors are factory tested and certified to operate on both: **208-230/415-460 VAC-3 ph-60 Hz** and **190-208/380-415 VAC-3 ph-50 Hz**. Our dual voltage 1 phase motors are factory tested and certified to operate on both: **104-115/208-230 VAC-1 ph-60 Hz** and **100-110/200-220 VAC-1 ph-50 Hz**. All voltages above can handle a ±10% voltage fluctuation. Special wound motors can be ordered for voltages outside our certified range.

Operating Temperatures - Maximum operating temperature: Motor winding temperature (winding rise plus ambient) should not exceed 140°C for Class F rated motors or 120°C for Class B rated motors. Blower outlet air temperature should not exceed 140°C (air temperature rise plus inlet temperature). Performance curve maximum pressure and suction points are based on a 40°C inlet and ambient temperature. Consult factory for inlet or ambient temperatures above 40°C.

Maximum Blower Amps - Corresponds to the performance point at which the motor or blower temperature rise with a 40°C inlet and/or ambient temperature reaches the maximum operating temperature.

XP Motor Class - Group - See Explosive Atmosphere Classification Chart in Section I

Shop.PRMFiltration.Com
855-341-7649

This document is for informational purposes only and should not be considered as a binding description of the products or their performance in all applications. The performance data on this page depicts typical performance under controlled laboratory conditions. AMETEK is not responsible for blowers driven beyond factory specified speed, temperature, pressure, flow or without proper alignment. Actual performance will vary depending on the operating environment and application. AMETEK products are not designed for and should not be used in medical life support applications. AMETEK reserves the right to revise its products without notification. The above characteristics represent standard products. For product designed to meet specific applications, contact AMETEK Technical & Industrial Products Sales department.