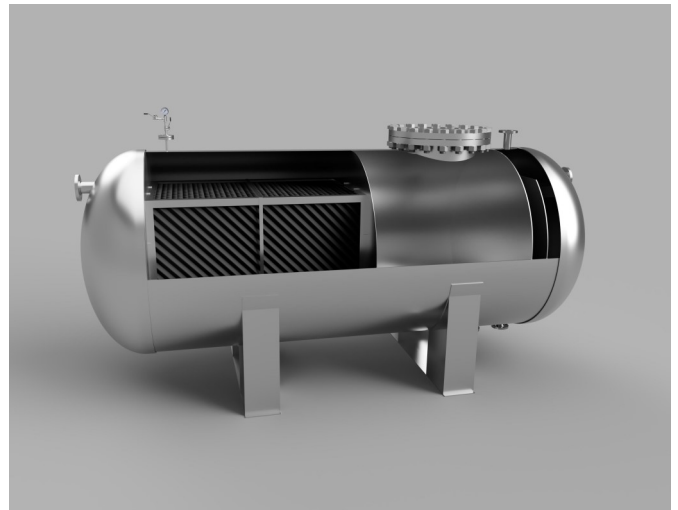


PRM Pressurized Coalescing Oil/Water Separators are designed for DNAPL (Dense Non-Aqueous Phase Liquids) and LNAPL (Light Non-Aqueous Phase Liquids) separation from wastewater or process streams, providing high efficiency fluid separation with low maintenance that can operate as a stand alone unit or used with integrated systems. This style separator is used in a process line when there is a need for a separator without reboosting.

Specifications:

- Pressurized Oil Water Separator— Available in a variety of pressure ratings
- 304 Stainless Steel Welded Construction (Optional Carbon Steel with Epoxy Coatings)
- PVC Coalescing Media Pack
- Stainless Steel Hardware
- Viton O-Rings
- Removable Manway with SS Bolts
- Vent Port, Drain, and Oil Outlet Port
- Option for ASME Section 8 Code Stamp

Please talk to a PRM representative to ensure that the oil water separator is properly sized and specific for your application.



OWS-25 DNAPL: 25 GPM

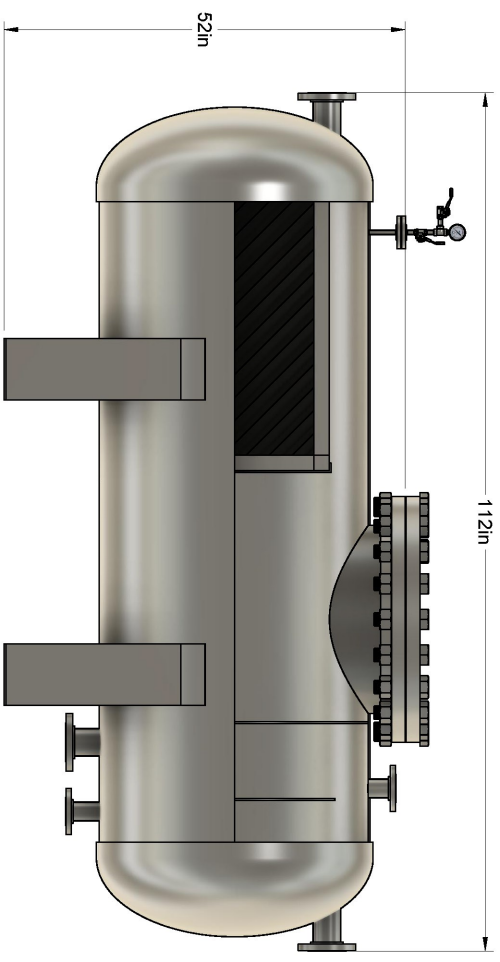
OWS-50 DNAPL: 50 GPM

OWS-100 DNAPL: 100 GPM

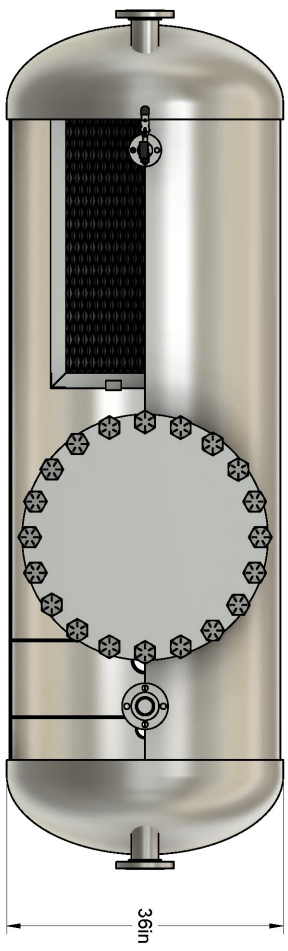
** Options and Services **

- UL 508A and 698A Control Panels for Pump Up , Pump Down, and High Level Alarm
- Custom Integration Into New or Existing Systems
- Field Installation, Startup and Operations Services

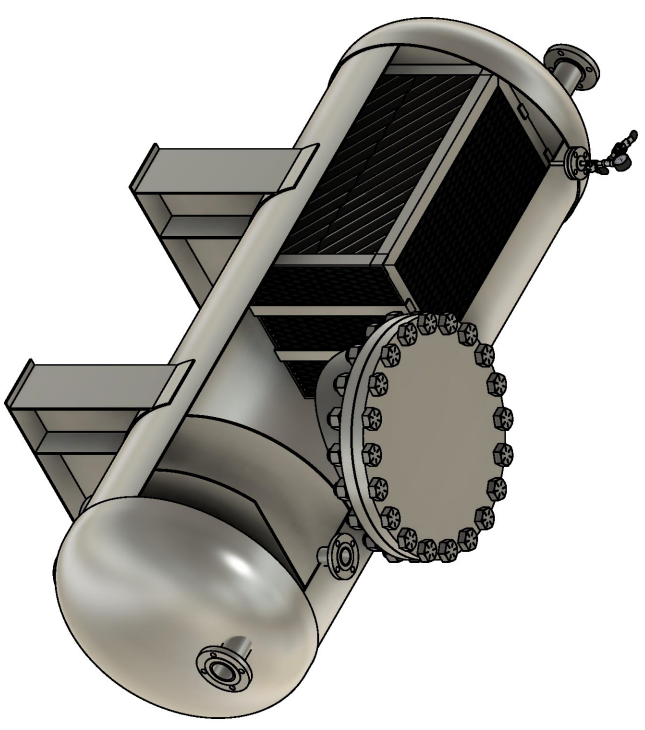
**PRESSURIZED OWS-25 FRONT
ELEVATION DETAIL**



PRESSURIZED OWS-25 PLAN DETAIL



**PRESSURIZED OWS-25 ISOMETRIC
DETAIL**



Product Recovery Management Inc.
This information is proprietary and confidential. No copies or reproductions are allowed without the express written consent of Product Recovery Management Inc.

CLIENT

PROJECT TITLE
PRESSURIZED OWS-25

SHEET TITLE
PRESSURIZED OWS-25 DETAILS

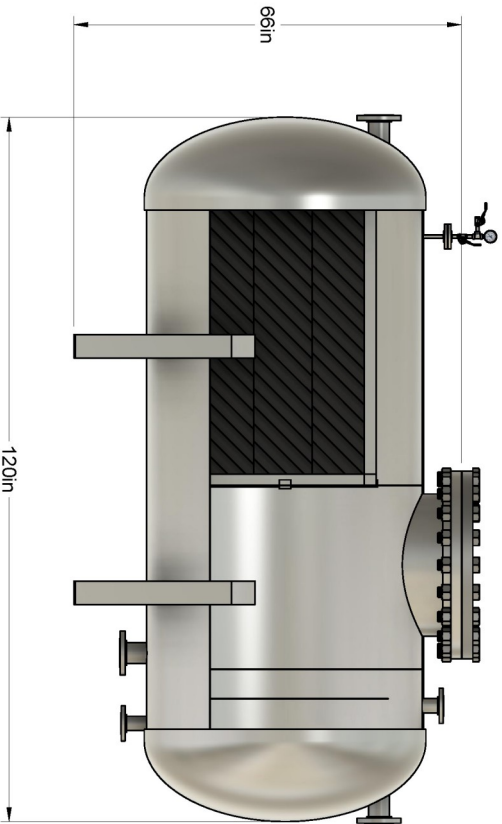
QUOTE NUMBER
DATE
04/27/23

PROJECT NUMBER
DRAWN BY
LXL

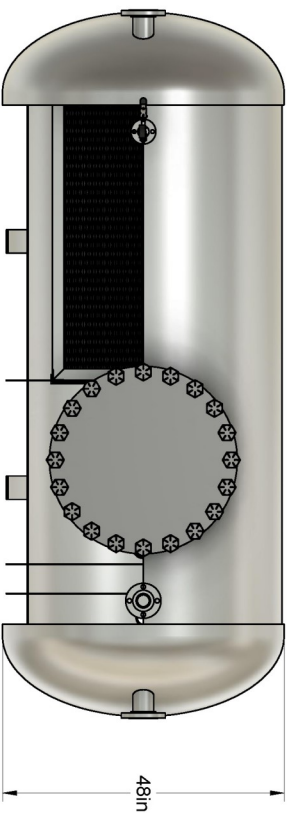
NO.	REVISION	DATE

DRAWING NUMBER
D-1

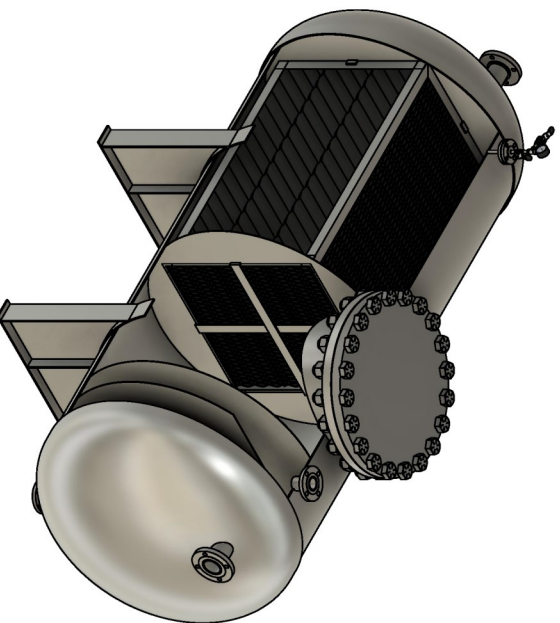
PRESSURIZED OWS-50 FRONT ELEVATION DETAIL



PRESSURIZED OWS-50 PLAN DETAIL



PRESSURIZED OWS-50 ISOMETRIC DETAIL



Product Recovery Management Inc.
This information is proprietary and not to be copied, reproduced, or distributed without the express written consent of Product Recovery Management, Inc.

CLASSIFICATION

PROJECT TITLE
PRESSURIZED OWS-50

SHEET TITLE
PRESSURIZED OWS-50 DETAILS

QUOTE NUMBER
DATE
04/27/23

PROJECT NUMBER
DRAWN BY
LXL

NO.

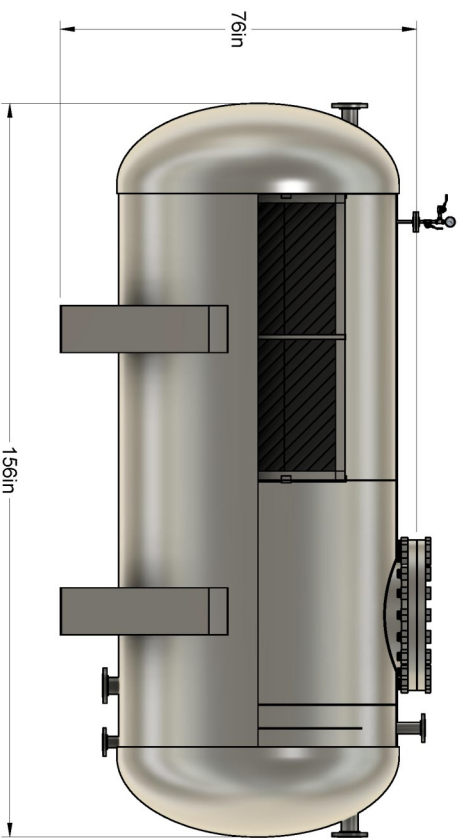
REVISION

DATE

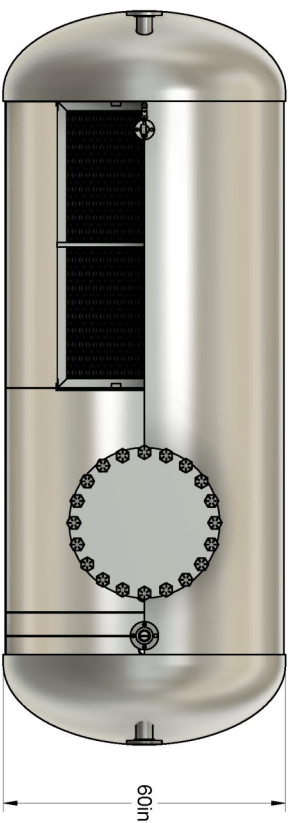
DATE

DRAWING NUMBER
D-1

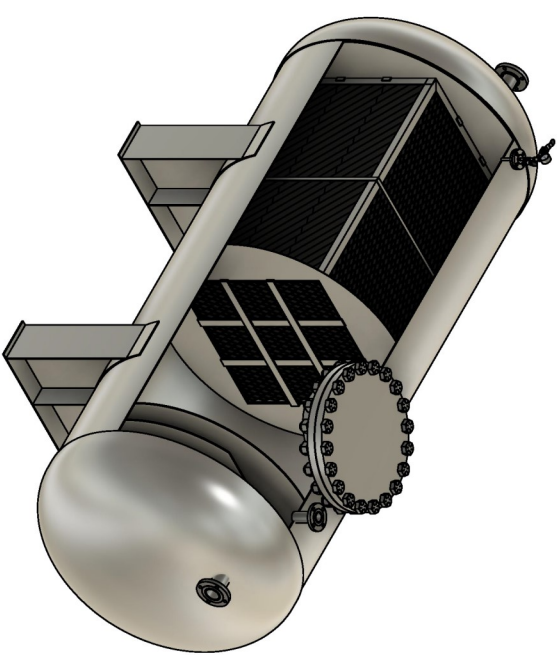
PRESSURIZED OWS-100 FRONT ELEVATION DETAIL



PRESSURIZED OWS-100 PLAN DETAIL



PRESSURIZED OWS-100 ISOMETRIC DETAIL



Product Recovery Management Inc.
This information is proprietary and
is not to be distributed or copied
without the express written consent
of Product Recovery Management, Inc.

CLIENT:

PROJECT TITLE:
PRESSURIZED OWS-100

DRAWING TITLE:
PRESSURIZED OWS-100 DETAILS

DATE:
04/27/23

DRAWN BY:
DAL

NO. | REVISION

DATE

DRAWING NUMBER:
D-1