



**Model Number:** CB3-AL-TF-56HC-2-B-D-3

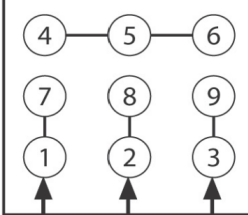
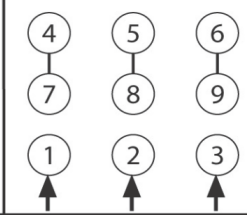
**MFG PN:** 578

**List Price:**

All data shown at HIGH voltage setting

Format: STD 3 Phase

Electrical Data				General Data			
Rated Motor Output Power	3.0	HP		Frame Size	56HC		
Rated Motor Speed	3490	r/min 60Hz		Enclosure	TEFC		
	2860	r/min 50Hz		Mounting	Rigid/C-Flange		
Rated Motor Voltage (3 Phase)	208-230/460	V/60Hz		NEMA Design	B		
	190/380	V/50Hz		IP Rating	55		
Rated Motor Current	7.86-7.26/3.63	A (In) @ 60Hz		Insulation Class	F		
	8.66/4.33	A (In) @ 50Hz		Tropicalization	1		
FL Current @ 208V	None	A (In) @ 60Hz		Duty	Cont.		
Service Factor	1.25	@ 60Hz		Cable Entry	1-NPT		
	1.25	@ 50Hz		Feet Removable	1		
KVA Code	K	60Hz		Double Drilled	1		
	H	50Hz		Frame Material	Cast		
Nominal Efficiency	86.5	% @ 60Hz		Shaft Material	1045		
	84.4	% @ 50Hz		Coating	RAL	7024	
Nominal Power Factor	0.88	cos $\phi$ @ 60Hz					
Full Load Torque Ft-Lb	S			Mechanical Data			
Load Data	Trq Ft-Lb	Trq %FL	Current Amps	Bearing DE Side	6205ZZ		
Locked Rotor				Bearing NDE Side	6205ZZ		
Breakdown	25.5204	417.0	-	Comp Ring (wavey washer)	DE		
Pull Up	20.3184	332.0	-	Weight	38.0	Lbs	
Load Data	RPM	Eff %	Current Amps	Moment of Inertia	None	kg.m3	
125% of FL	3458.0	85.277	4.502	Site Conditions			
75% of FL	3522.5	87.09	2.875	Temp Rise @ Full Load °C	B	@ 60Hz	
50% of FL	3550.0	85.837	2.239	Ambient Temperature °C	40		
No Load	1199.0	0	1.3	Altitude Above Sea Level (M)	1000		
Brake Torque (N-M)	100.0		Loaded Torque Curves		None		
Brake Coil Voltage	None		P1 = Output Power (KW), S = Slip (% of Sync RPM), $\eta$ = Efficiency (%), cos $\phi$ = Power Factor				

CT VFD Range	
Haz Loc Rating	
Options:	
UL File Number	
CSA File Number	
DOE File Number	
CE APPROVAL	
Wiring Diagram	NEMA-3-9-YY-Y
<b>3 Phase - YY/Y - 9 Lead</b>	
4,1 Blue / 5,2 White / 6,3 Org / 7 Yl / 8 Blk / 9 RD	
Cast Iron- 1,2,3 Top - 4,5,6,7,8,9 Bottom	
Aluminum - 4,5,6,8,9 Top - 1,2,3,7 Bottom	
<b>CONNECTIONS</b>	
	
LOW VOLTAGE	HIGH VOLTAGE

Techtop Industries -2815 Colonnades Court - Peachtree Corners, GA 30071 - Phone: (678) 436-5540

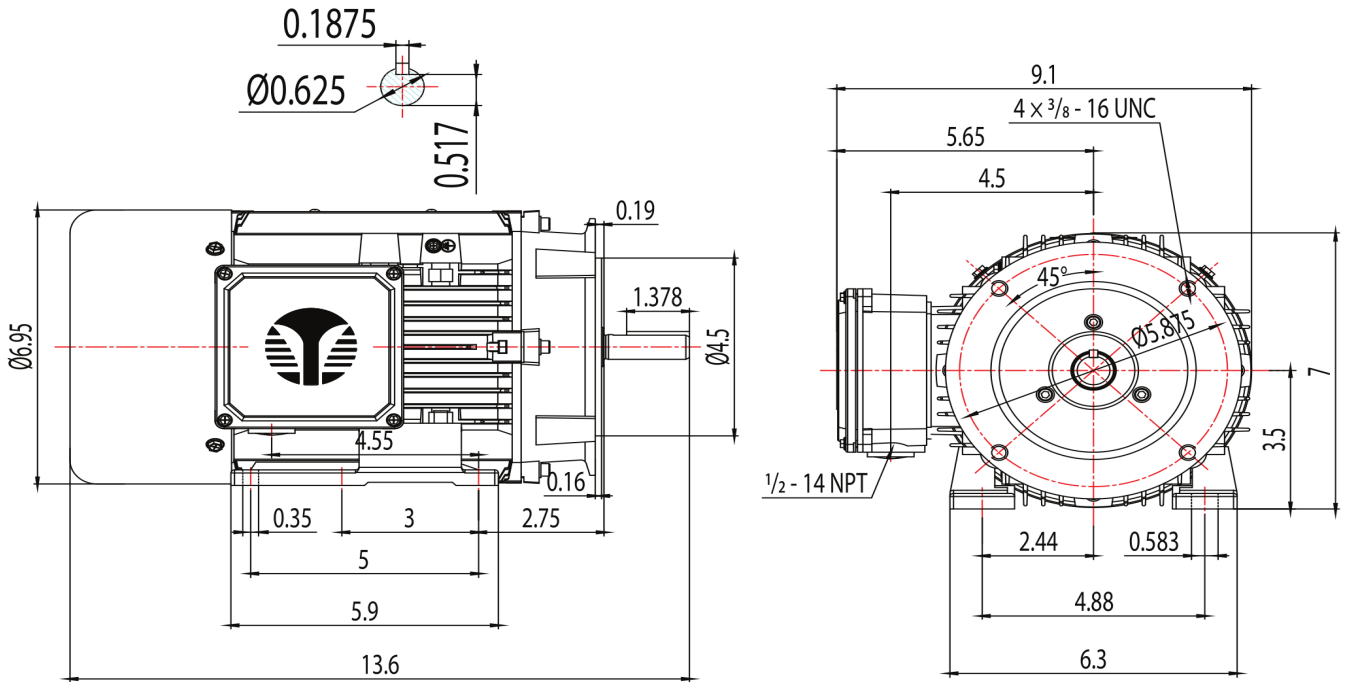


Model Number:	CB3-AL-TF-56HC-2-B-D-3
MFG PN:	
List Price:	578

Dimensional Drawing (For Reference Only)

CB3-AL-TF-56HC-2D

FRAME: 56HC	HP:	RPM:	PHASE: 3	VOLT: 230/460V	ENCL: TEFC	FREQ: 60 Hz	FLA:	LRA:
-------------	-----	------	----------	----------------	------------	-------------	------	------



MODEL NUMBER:  
CB3-AL-TF-56HC  
MFG PN:

REV.	BY	DATE
1		
2		
3		
4		
5		
6		
7		

CHANGES

Components

Item	Model	Description	List Price
C-Face Kit			

D-Flange Kit			
DE Endplate Kit			
NDE Endplate Kit			
Junction Box			
Cooling Fan Cover			
Cooling Fan			
Replacement Feet			
DE Bearing Retainer Kit			
NDE Bearing Retainer Kit			

Techtop Industries -2815 Colonnades Court - Peachtree Corners, GA 30071 - Phone: (678) 436-5540