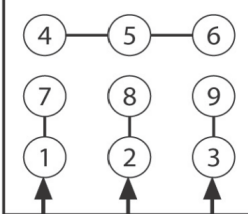
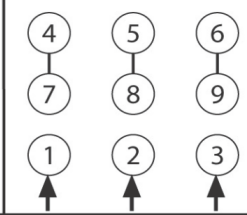




Model Number:	CB3-AL-TF-56C-2-B-D-2
MFG PN:	416
List Price:	

All data shown at HIGH voltage setting Format: STD 3 Phase

Electrical Data				General Data		
Rated Motor Output Power	2.0	HP		Frame Size	56C	
Rated Motor Speed	3500	r/min 60Hz		Enclosure	TEFC	
	2870	r/min 50Hz		Mounting	Rigid/C-Flange	
Rated Motor Voltage (3 Phase)	208-230/460	V/60Hz		NEMA Design	B	
	190/380	V/50Hz		IP Rating	55	
Rated Motor Current	5.5-5.24/2.62	A (In) @ 60Hz		Insulation Class	F	
	6.20/3.10	A (In) @ 50Hz		Tropicalization	1	
FL Current @ 208V	None	A (In) @ 60Hz		Duty	Cont.	
Service Factor	1.25	@ 60Hz		Cable Entry	1-NPT	
	1.25	@ 50Hz		Feet Removable	1	
KVA Code	L	60Hz		Double Drilled	0	
	H	50Hz		Frame Material	Cast	
Nominal Efficiency	85.5	% @ 60Hz		Shaft Material	1045	
	83.5	% @ 50Hz		Coating	RAL	7024
Nominal Power Factor	0.84	cos ϕ @ 60Hz				
Full Load Torque Ft-Lb	S			Mechanical Data		
Load Data	Trq Ft-Lb	Trq %FL	Current Amps	Bearing DE Side	6204ZZ	
Locked Rotor				Bearing NDE Side	6204ZZ	
Breakdown	12.8217804	424.0	-	Comp Ring (wavey washer)	DE	
Pull Up	8.920814196	295.0	-	Weight	26.5	Lbs
Load Data	RPM	Eff %	Current Amps	Moment of Inertia	None	kg.m3
125% of FL	3478.6	85.632	3.1236	Site Conditions		
75% of FL	3531.7	85.93	2.097	Temp Rise @ Full Load °C	B	@ 60Hz
50% of FL	3555.2	83.538	1.699	Ambient Temperature °C	40	
No Load	1199.0	0	1.3	Altitude Above Sea Level (M)	1000	
Brake Torque (N-M)	100.0	Loaded Torque Curves		None		
Brake Coil Voltage	None	P1 = Output Power (KW), S = Slip (% of Sync RPM), η = Efficiency (%), cosϕ = Power Factor				

CT VFD Range	
Haz Loc Rating	
Options:	
UL File Number	
CSA File Number	
DOE File Number	
CE APPROVAL	
Wiring Diagram	NEMA-3-9-YY-Y
3 Phase - YY/Y - 9 Lead	
4,1 Blue / 5,2 White / 6,3 Org / 7 Yl / 8 Blk / 9 RD	
Cast Iron- 1,2,3 Top - 4,5,6,7,8,9 Bottom	
Aluminum - 4,5,6,8,9 Top - 1,2,3,7 Bottom	
CONNECTIONS	
	
LOW VOLTAGE	HIGH VOLTAGE

Techtop Industries -2815 Colonnades Court - Peachtree Corners, GA 30071 - Phone: (678) 436-5540

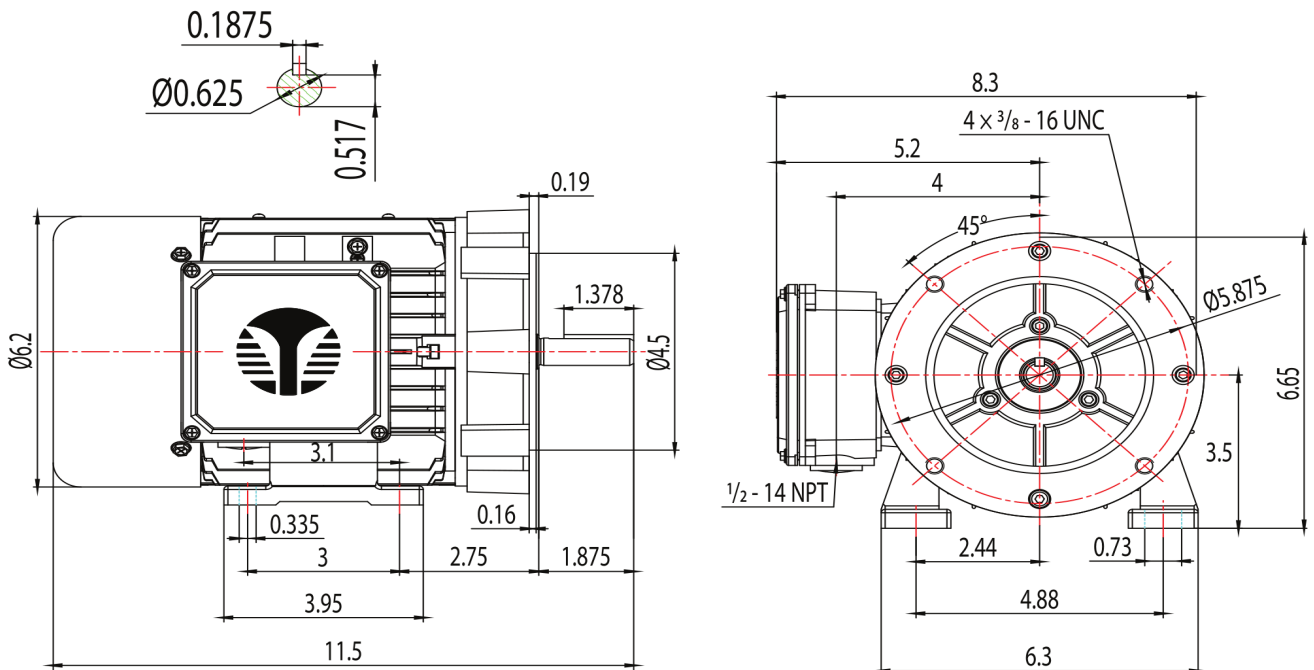


Model Number:	CB3-AL-TF-56C-2-B-D-2
MFG PN:	
List Price:	416

Dimensional Drawing (For Reference Only)

CB3-AL-TF-56C-2D

FRAME: 56C	HP:	RPM:	PHASE: 3	VOLT: 230/460V	ENCL: TEFC	FREQ: 60 Hz	FLA:	LRA:
------------	-----	------	----------	----------------	------------	-------------	------	------



	MODEL NUMBER:	REV.	BY	DATE	CHANGES
	CB3-AL-TF-56C	1			
	MFG PN:	2			
		3			
		4			
		5			
		6			
	7				
MATERIAL: ALUMINUM					
UNITS: INCH					
BY: SSEE					
DRAWN: 1/3/2019					
WWW.TECHTOP.COM					

Components

Item	Model	Description	List Price
C-Face Kit			

D-Flange Kit			
DE Endplate Kit			
NDE Endplate Kit			
Junction Box			
Cooling Fan Cover			
Cooling Fan			
Replacement Feet			
DE Bearing Retainer Kit			
NDE Bearing Retainer Kit			

Techtop Industries -2815 Colonnades Court - Peachtree Corners, GA 30071 - Phone: (678) 436-5540