

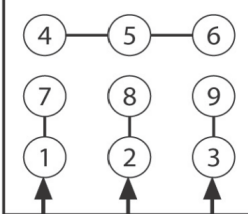
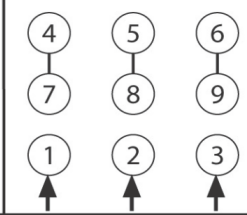


Model Number:	CB3-AL-TF-56C-2-B-D-.5
MFG PN:	334
List Price:	

All data shown at HIGH voltage setting

Format: STD 3 Phase

Electrical Data				General Data			
Rated Motor Output Power	0.5	HP		Frame Size	56C		
Rated Motor Speed	3490	r/min 60Hz		Enclosure	TEFC		
	2870	r/min 50Hz		Mounting	Rigid/C-Flange		
Rated Motor Voltage (3 Phase)	208-230/460	V/60Hz		NEMA Design	B		
	190/380	V/50Hz		IP Rating	55		
Rated Motor Current	1.71-1.74/0.87	A (In) @ 60Hz		Insulation Class	F		
	1.94/0.97	A (In) @ 50Hz		Tropicalization	1		
FL Current @ 208V	None	A (In) @ 60Hz		Duty	Cont.		
Service Factor	1.25	@ 60Hz		Cable Entry	1-NPT		
	1.25	@ 50Hz		Feet Removable	1		
KVA Code	L	60Hz		Double Drilled	0		
	H	50Hz		Frame Material	Cast		
Nominal Efficiency	74.0	% @ 60Hz		Shaft Material	1045		
	73.5	% @ 50Hz		Coating	RAL	7024	
Nominal Power Factor	0.72	cos ϕ @ 60Hz					
Full Load Torque Ft-Lb	S			Mechanical Data			
Load Data	Trq Ft-Lb	Trq %FL	Current Amps	Bearing DE Side	6204ZZ		
Locked Rotor				Bearing NDE Side	6204ZZ		
Breakdown	2.858790891	380.0	-	Comp Ring (wavey washer)	DE		
Pull Up	2.287032712	304.0	-	Weight	15.5	Lbs	
Load Data	RPM	Eff %	Current Amps	Moment of Inertia	None	kg.m3	
125% of FL	1784.9	95.6	356.38	Site Conditions			
75% of FL	1790.5	96.11	238.28	Temp Rise @ Full Load °C	B	@ 60Hz	
50% of FL	1793.7	95.88	172.17	Ambient Temperature °C	40		
No Load	1199.0	0	0.63	Altitude Above Sea Level (M)	1000		
Brake Torque (N-M)	100.0		Loaded Torque Curves		None		
Brake Coil Voltage	None		P1 = Output Power (KW), S = Slip (% of Sync RPM), η = Efficiency (%), cos ϕ = Power Factor				

CT VFD Range	
Haz Loc Rating	
Options:	
UL File Number	
CSA File Number	
DOE File Number	
CE APPROVAL	
Wiring Diagram	NEMA-3-9-YY-Y
3 Phase - YY/Y - 9 Lead	
4,1 Blue / 5,2 White / 6,3 Org / 7 Yl / 8 Blk / 9 RD	
Cast Iron- 1,2,3 Top - 4,5,6,7,8,9 Bottom	
Aluminum - 4,5,6,8,9 Top - 1,2,3,7 Bottom	
CONNECTIONS	
	
LOW VOLTAGE	HIGH VOLTAGE

Techtop Industries -2815 Colonnades Court - Peachtree Corners, GA 30071 - Phone: (678) 436-5540

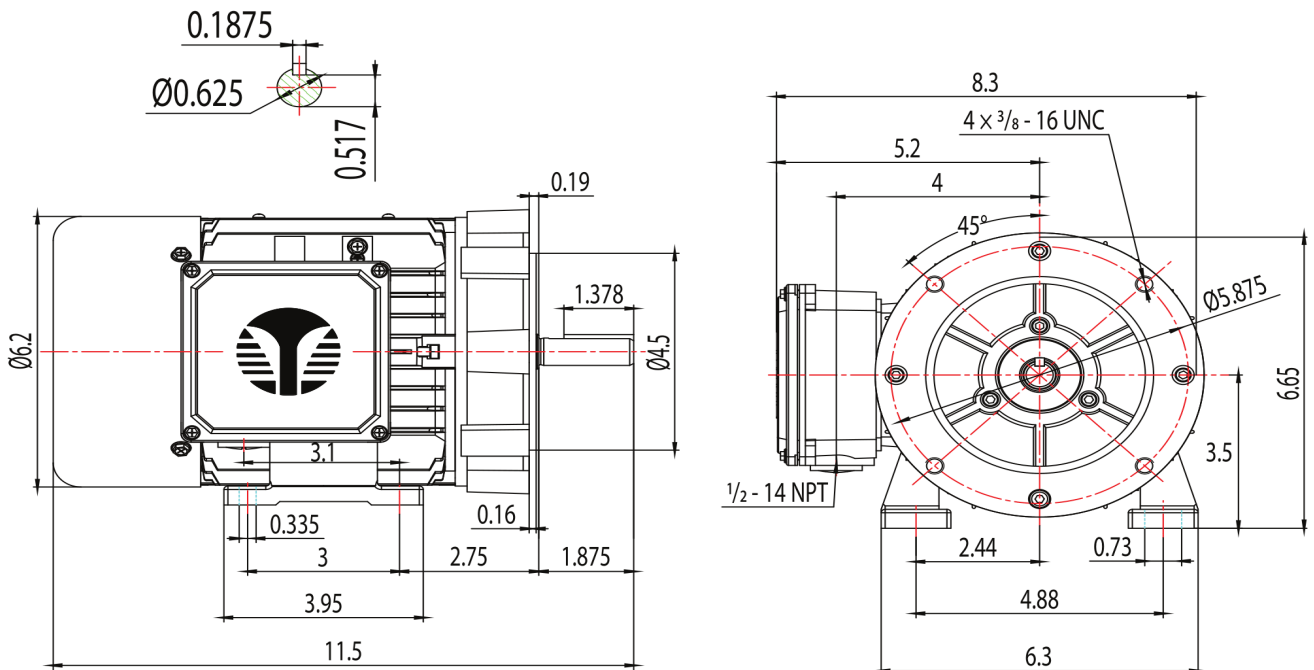


Model Number: CB3-AL-TF-56C-2-B-D-5
MFG PN:
List Price: 334

Dimensional Drawing (For Reference Only)

CB3-AL-TF-56C-2D

FRAME: 56C HP: RPM: PHASE: 3 VOLT: 230/460V ENCL: TEFC FREQ: 60 Hz FLA: LRA:



MODEL NUMBER:
CB3-AL-TF-56C
MFG PN:

REV.	BY	DATE
1		
2		
3		
4		
5		
6		
7		

CHANGES

Components

Item	Model	Description	List Price
C-Face Kit			

D-Flange Kit			
DE Endplate Kit			
NDE Endplate Kit			
Junction Box			
Cooling Fan Cover			
Cooling Fan			
Replacement Feet			
DE Bearing Retainer Kit			
NDE Bearing Retainer Kit			

Techtop Industries -2815 Colonnades Court - Peachtree Corners, GA 30071 - Phone: (678) 436-5540