

Butterfly Valve

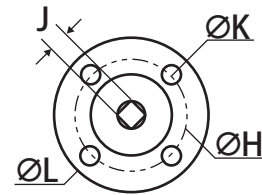
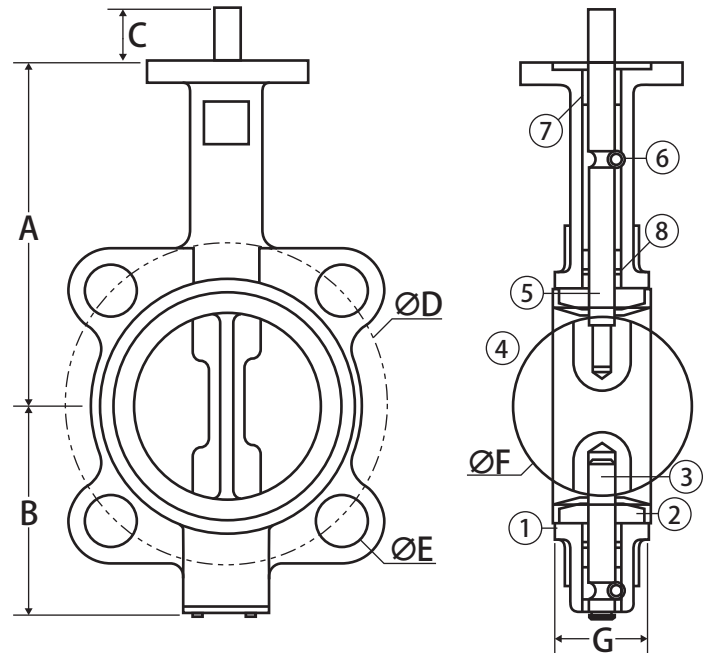


Wafer Style • Epoxy-Coated Ductile Iron Body • Stainless Steel Disc



BFV-Wafer

CRN# 0C16661.2



Features

- Designed for commercial and industrial applications up to 225 PSI
- Easily accepts actuator with ISO 5211 mounting flange
- Available in EPDM, PTFE, Buna-N, or Viton® seats
- Meets API 609 & MSS SP-67
- Seat to flange seal eliminates the need for flange gaskets
- Epoxy coated finish
- Ideal for mounting pneumatic/electrical actuators
- Square stem for direct mount
- Wetted surfaces contain less than .25% lead content

Approvals

- API 609
- MSS SP-67
- NSF 61 / NSF 372

Material Specifications

No.	Part	Materials
1	Body	Ductile Iron - Epoxy Coated
2	Seat	*Varies*
3	Lower Shaft*	410 Stainless Steel
4	Disc	CF8M Stainless Steel
5	Upper Shaft	410 Stainless Steel
6	Locating Pin (2)	Carbon Steel
7	Bushing (3)	PTFE
8	O-ring (2)	EPDM

2" - 12" only, 14" - 36" are pin through shaft style

Seat Temperature Ranges

	Size	Buna-N	EPDM	Viton	PTFE
Temperature range (° F)	2" - 36"	10 to 180	-30 to 250	10 to 300	-20 to 250
Inline service (psi)	2" - 12"	225	225	225	225
	14" - 36"	150	150	150	150



WARNING: This product can expose you to chemicals including lead, which is known to the State of California to cause birth defects or other reproductive harm. For more information go to www.P65Warnings.ca.gov.

When ordering butterfly valves please specify the seat in the _ space with the following letter designations:

E = EPDM P = PTFE V = VITON B = BUNA

When ordering butterfly valves please specify the handle with the following letter designations:

L = Lever Handle B = Bare Stem G = Gear Operator -

Dimensions

Part No.	Size	A	B	C	D	E	F	G	H	J	K	L	Weight
900-02DS_L	2"	6.34	3.46	1.26	4.74	4 : 0.75	2.07	1.65	1.97	0.35	4 : 0.28	3.03	5.51
900-212DS_L	2-1/2"	6.89	3.82	1.26	5.50	4 : 0.75	2.54	1.77	1.97	0.35	4 : 0.28	3.03	7.05
900-03DS_L	3"	7.13	4.06	1.26	6.00	4 : 0.75	3.10	1.77	1.97	0.35	4 : 0.28	3.03	8.38
900-04DS_L	4"	7.87	4.80	1.26	7.50	8 : 0.75	4.09	2.03	2.76	0.43	4 : 0.35	3.54	10.80
900-05DS_L	5"	8.39	5.31	1.26	8.50	8 : 0.87	4.85	2.17	2.76	0.55	4 : 0.35	3.54	15.43
900-06DS_L	6"	8.90	5.79	1.26	9.51	8 : 0.87	6.13	2.17	2.76	0.55	4 : 0.35	3.54	17.20
900-08DS_B	8"	10.24	7.20	1.61	11.75	8 : 0.87	7.97	2.36	4.02	0.67	4 : 0.47	4.92	29.10
900-10DS_G	10"	11.50	7.99	1.61	14.25	12 : 0.98	9.86	2.64	4.02	0.87	4 : 0.47	4.92	42.33
900-12DS_G	12"	13.27	9.53	1.61	17.01	12 : 0.98	11.87	2.97	4.02	0.87	4 : 0.47	5.51	71.65
900-14DS_G	14"	14.49	10.71	1.77	18.74	12 : 1.14	13.12	2.97	4.02	0.87	4 : 0.47	5.51	91.05
900-16DS_G	16"	15.75	13.11	2.02	21.26	16 : 1.14	15.34	4.02	5.51	1.06	4 : 0.71	6.89	134.48
900-18DS_G	18"	16.61	14.33	2.02	22.76	16 : 1.26	17.34	4.49	5.51	1.06	4 : 0.71	6.89	174.16
900-20DS_G	20"	18.90	15.31	2.53	25.00	20 : 1.26	19.35	5.00	5.51	1.42	4 : 0.71	6.89	282.19
900-24DS_G	24"	22.13	17.83	2.76	29.51	20 : 1.38	23.33	5.94	6.50	1.42	4 : 0.91	10.88	414.47
900-30DS_G	30"	25.98	21.23	2.60	36.00	28 : 1.38	29.30	-	10.00	1.42	8 : 0.71	11.81	723.12
900-36DS_G	36"	28.35	25.84	4.65	41.34	32 : 1.61	34.04	-	10.00	1.42	8 : 0.71	11.81	1571.89

*Stem is round with key, dimensions and drawings available upon request.