

Butterfly Valve

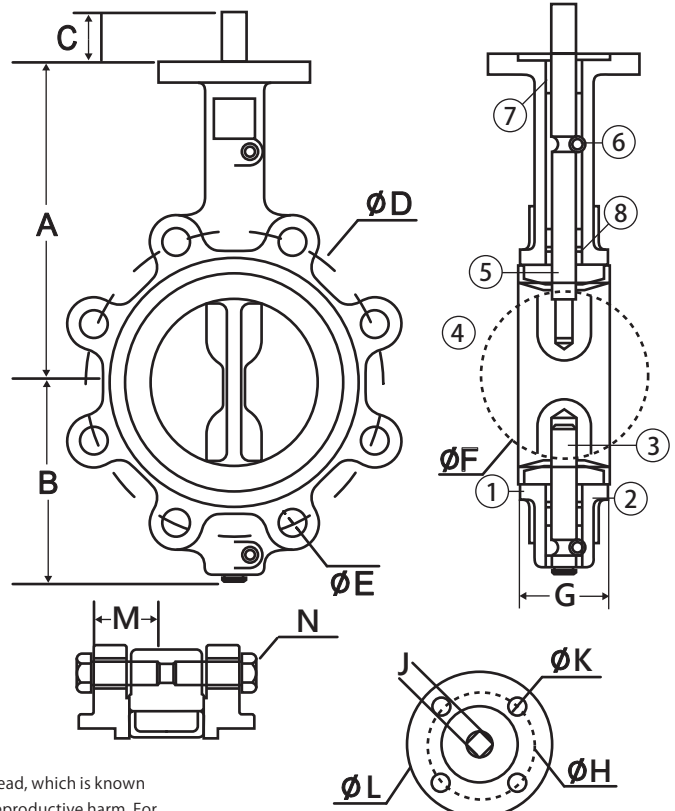


Lug Style • Epoxy-Coated Ductile Iron Body • Stainless Steel Disc



BFV-Lug

CRN# 0C16661.2



Features

- Designed for commercial and industrial applications up to 225 PSI
- Easily accepts actuator with ISO 5211 mounting flange
- Available in EPDM, PTFE, Buna-N, or Viton® seats
- Seat to flange seal eliminates the need for flange gaskets
- Series 600 Lug bodies are bidirectional for dead end service
- Epoxy coated finish
- Ideal for mounting pneumatic/electrical actuators
- Square stem for direct mount
- Wetted surfaces contain less than .25% lead content

Approvals

- API 609
- MSS SP-67
- NSF 61 / NSF 372*



WARNING: This product can expose you to chemicals including lead, which is known to the State of California to cause cancer, birth defects or other reproductive harm. For more information go to www.P65Warnings.ca.gov.

Material Specifications

| No. | Part | Materials |
|-----|------------------|-----------------------------|
| 1 | Body | Ductile Iron - Epoxy Coated |
| 2 | Seat | *Varies* |
| 3 | Lower Shaft* | 410 Stainless Steel |
| 4 | Disc | CF8M Stainless Steel |
| 5 | Upper Shaft | 410 Stainless Steel |
| 6 | Locating Pin (2) | Carbon Steel |
| 7 | Bushing (3) | PTFE |
| 8 | O-ring (2) | EPDM |

Note: 2" - 12" only, 14" - 36" are pin through shaft style

Seat Temperature Ranges

| | Size | Buna-N | EPDM* | Viton | PTFE |
|---|-----------|-----------|------------|-----------|------------|
| Temperature range (° F) | 2" - 36" | 10 to 180 | -30 to 250 | 10 to 300 | -20 to 250 |
| Inline service (psi) | 2" - 12" | 225 | 225 | 225 | 225 |
| | 14" - 36" | 150 | 150 | 150 | 150 |
| Dead end service w/down stream flange (psi) | 2" - 12" | 225 | 225 | 225 | 150 |
| Dead end service w/o down stream flange (psi) | 2" - 12" | 150 | 150 | 150 | 150 |

When ordering butterfly valves please specify the seat in the _ space with the following letter designations:

E = EPDM P = PTFE V = VITON B = BUNA

When ordering butterfly valves please specify the handle with the following letter designations:

L = Lever Handle B = Bare Stem G = Gear Operator -

Dimensions

| Part No. | Size | A | B | C | D | E | F | G | H | J | K | L | M | N | Weight | 90° Cv |
|-------------|--------|-------|-------|------|-------|-------------|-------|------|-------|------|----------|-------|------|------------|---------|--------|
| 600-02DS_L | 2" | 6.34 | 3.46 | 1.26 | 4.74 | 4 : 5/8" | 2.07 | 1.65 | 1.97 | 0.35 | 4 : 0.28 | 3.03 | 1.50 | 5/8-11UNC | 9.7 | 135 |
| 600-212DS_L | 2-1/2" | 6.89 | 3.82 | 1.26 | 5.50 | 4 : 5/8" | 2.54 | 1.77 | 1.97 | 0.35 | 4 : 0.28 | 3.03 | 1.50 | 5/8-11UNC | 11.02 | 220 |
| 600-03DS_L | 3" | 7.13 | 4.06 | 1.26 | 6.00 | 4 : 5/8" | 3.10 | 1.77 | 1.97 | 0.35 | 4 : 0.28 | 3.03 | 1.50 | 5/8-11UNC | 12.13 | 302 |
| 600-04DS_L | 4" | 7.87 | 4.80 | 1.26 | 7.50 | 8 : 5/8" | 4.09 | 2.03 | 2.76 | 0.43 | 4 : 0.35 | 3.54 | 1.75 | 5/8-11UNC | 18.3 | 600 |
| 600-05DS_L | 5" | 8.39 | 5.31 | 1.26 | 8.50 | 8 : 3/4" | 4.85 | 2.17 | 2.76 | 0.55 | 4 : 0.35 | 3.54 | 1.75 | 3/4-10UNC | 24.14 | 1022 |
| 600-06DS_L | 6" | 8.90 | 5.79 | 1.26 | 9.51 | 8 : 3/4" | 6.13 | 2.17 | 2.76 | 0.55 | 4 : 0.35 | 3.54 | 2.00 | 3/4-10UNC | 26.14 | 1579 |
| 600-08DS_B | 8" | 10.24 | 7.20 | 1.61 | 11.75 | 8 : 3/4" | 7.97 | 2.36 | 4.02 | 0.67 | 4 : 0.47 | 4.92 | 2.00 | 3/4-10UNC | 41.6 | 3136 |
| 600-10DS_G | 10" | 11.50 | 7.99 | 1.61 | 14.25 | 12 : 7/8" | 9.86 | 2.64 | 4.02 | 0.87 | 4 : 0.47 | 4.92 | 2.25 | 7/8-9UNC | 77.16 | 5340 |
| 600-12DS_G | 12" | 13.27 | 9.53 | 1.61 | 17.01 | 12 : 7/8" | 11.87 | 2.97 | 4.02 | 0.87 | 4 : 0.47 | 5.51 | 2.50 | 7/8-9UNC | 111.55 | 8250 |
| 600-14DS_G | 14" | 14.49 | 10.71 | 1.77 | 18.74 | 12 : 1" | 13.12 | 2.97 | 4.02 | 0.87 | 4 : 0.47 | 5.51 | 2.50 | 1-8UNC | 154.32 | 11917 |
| 600-16DS_G | 16" | 15.75 | 13.11 | 2.02 | 21.26 | 16 : 1" | 15.34 | 4.02 | 5.51 | 1.06 | 4 : 0.71 | 6.89 | 3.00 | 1-8UNC | 264.55 | 16388 |
| 600-18DS_G | 18" | 16.54 | 14.33 | 2.02 | 22.76 | 16 : 1-1/8" | 17.34 | 4.49 | 5.51 | 1.06 | 4 : 0.71 | 6.89 | 3.50 | 1-1/8-7UNC | 326.28 | 21705 |
| 600-20DS_G | 20" | 18.90 | 15.31 | 2.53 | 25.00 | 20 : 1-1/8" | 19.35 | 5.00 | 5.51 | 1.42 | 4 : 0.71 | 6.89 | 4.00 | 1-1/8-7UNC | 473.99 | 27908 |
| 600-24DS_G | 24" | 22.13 | 17.83 | 2.76 | 29.51 | 20 : 1-1/4" | 23.33 | 5.94 | 6.50 | 1.42 | 4 : 0.91 | 10.88 | 4.50 | 1-1/4-7UNC | 650.36 | 43116 |
| 600-30DS_G | 30" | 25.98 | 21.23 | 2.76 | 35.98 | 28 : 1-1/4" | 29.30 | 6.57 | 10.00 | 1.77 | 8 : 0.71 | 11.81 | 2.76 | 1-1/4-7UNC | 939.17 | 58875 |
| 600-36DS_G | 36" | 28.35 | 25.84 | 2.76 | 42.76 | 32 : 1-1/2" | 34.04 | 7.99 | 10.00 | 2.17 | 8 : 0.71 | 11.81 | 3.54 | 1-1/2-6UNC | 1604.96 | 86375 |

*U-type Butterfly Valve, dimensions and drawings available upon request

Note: Information subject to change without notice.

030124