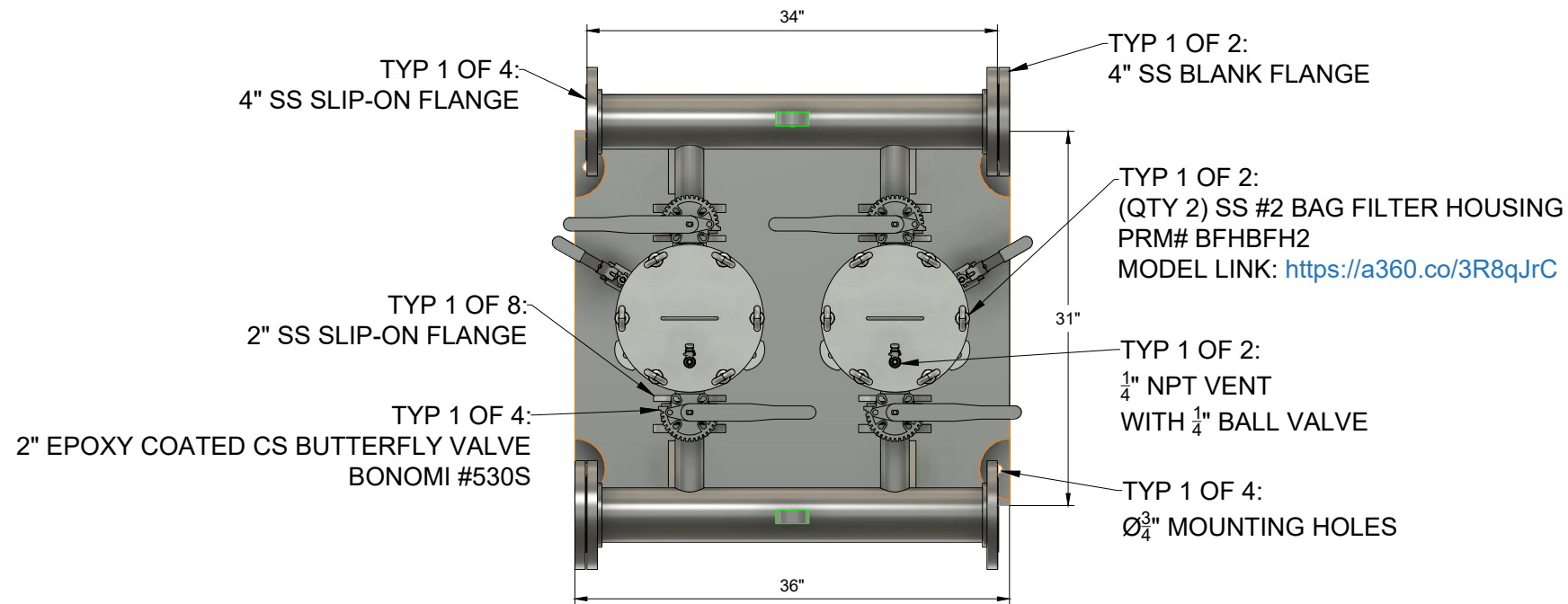
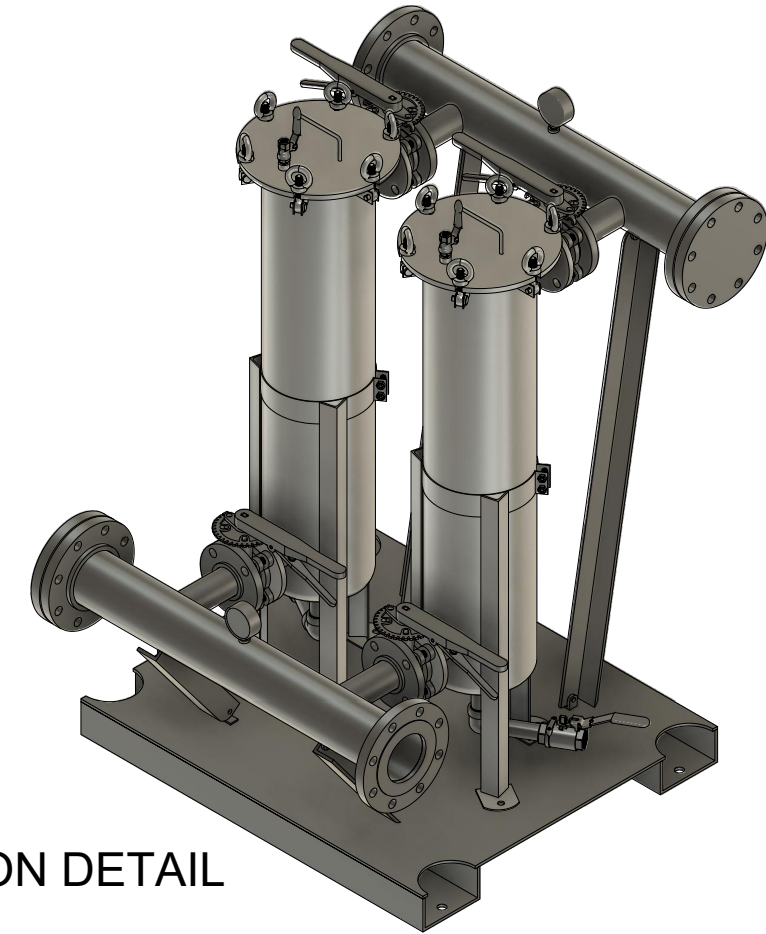


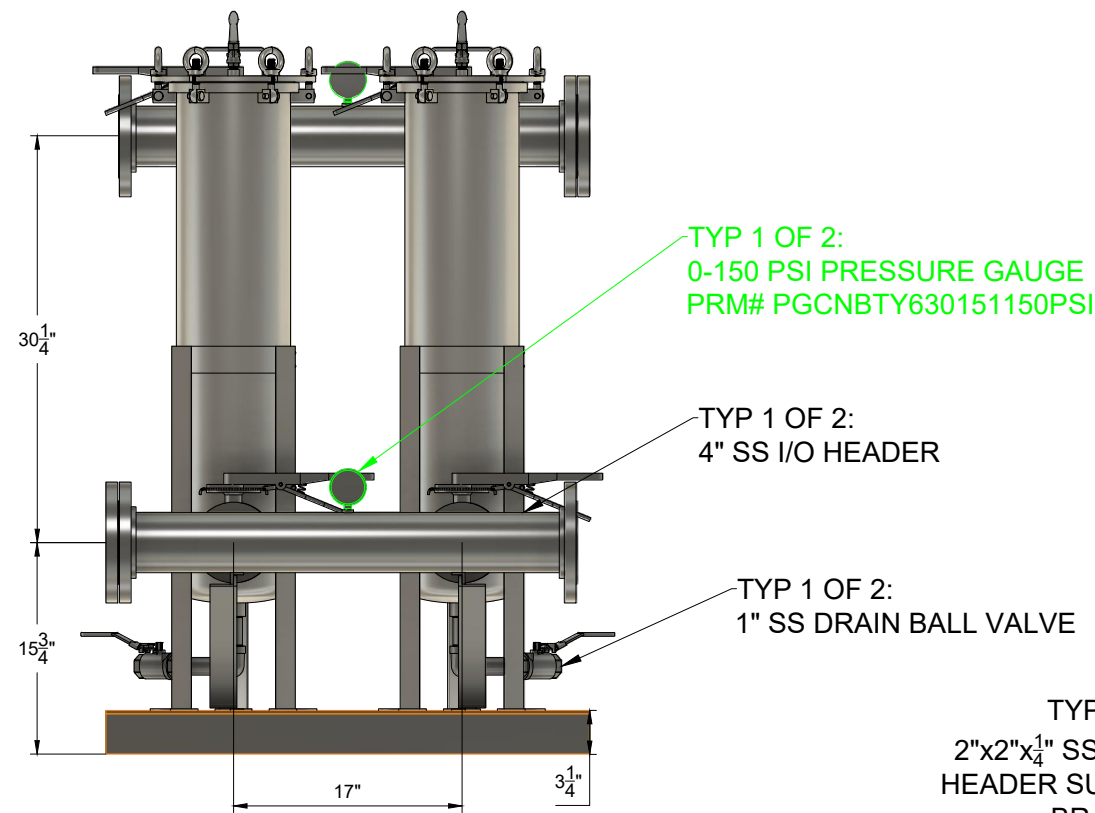
SS DUAL BFH SKID PLAN DETAIL



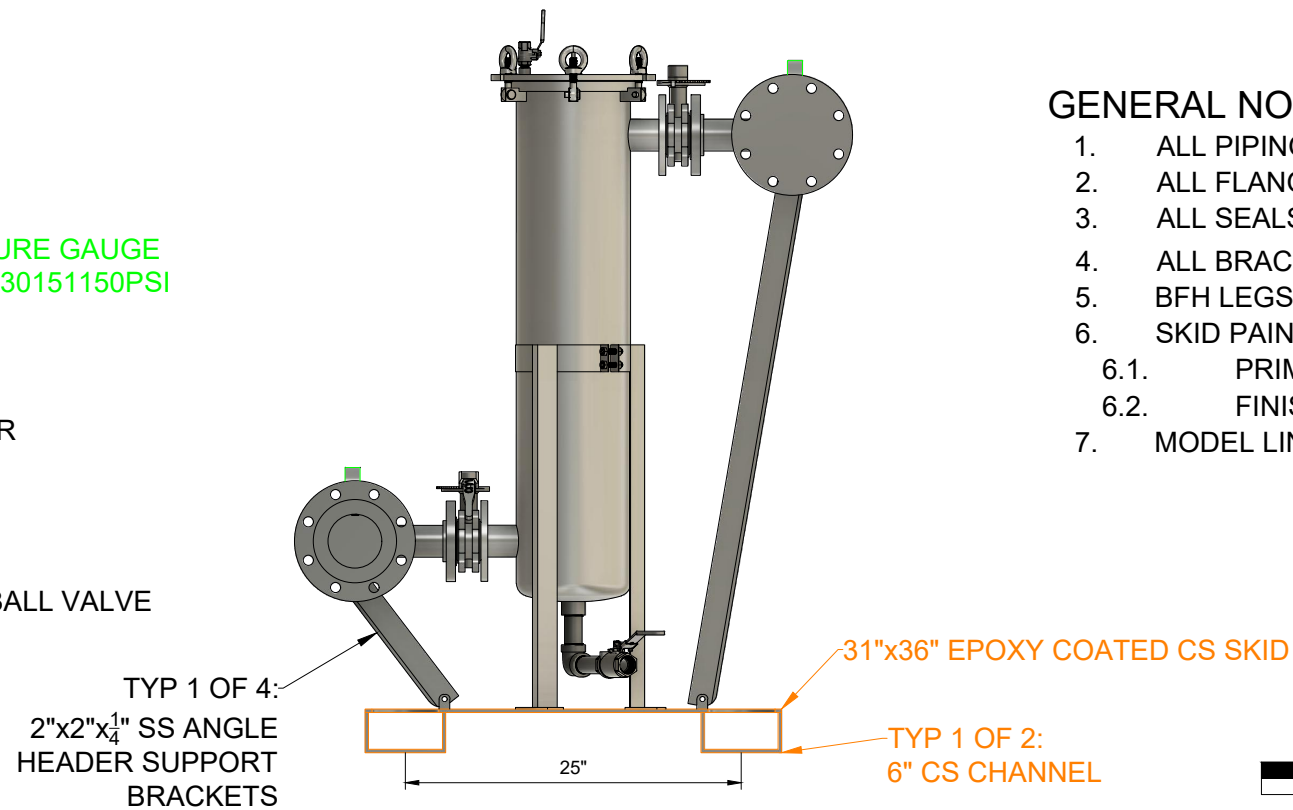
SS DUAL BFH SKID ISOMETRIC DETAIL



SS DUAL BFH SKID FRONT ELEVATION DETAIL



SS DUAL BFH SKID RIGHT ELEVATION DETAIL



GENERAL NOTES:

1. ALL PIPING IS 304SS
2. ALL FLANGES ARE SLIP-ON
3. ALL SEALS AND GASKETS ARE VITON
4. ALL BRACKETS BOLTED IN PLACE WITH 3/8" BOLTS
5. BFH LEGS ARE BOLTED TO SKID PLATE
6. SKID PAINT DETAILS:
 - 6.1. PRIMER: EPOXY PRIMER (HBE-400)
 - 6.2. FINISH: GRAY URETHANE FINISH (AUE-100)
7. MODEL LINK: <https://a360.co/3D810ME>

Scale (ft.)

