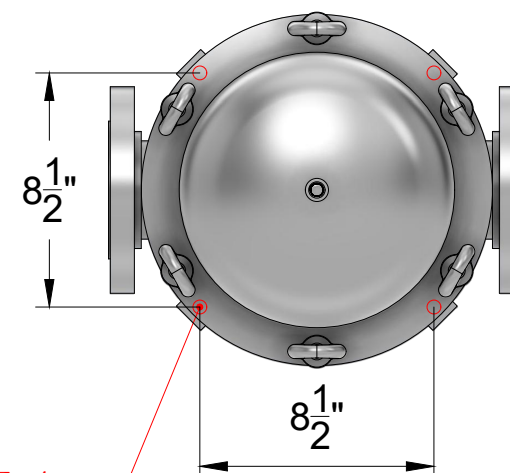


NO.	ITEM	QTY.	MATERIAL	NOTES
1	LEG	4	304 SS	
2	INLET	1	304 SS	3" FLANGE
3	SHELL	1	304 SS	
4	LID	1	304 SS	
5	VENT	1	304 SS	1/4" NPT
6	SWING BOLTS	6	304 SS	M12
7	O-RING	1	EPDM	
8	BRACKETS	6	304 SS	
9	INLET PRESSURE PORT	1	304 SS	1/2" NPT
10	OUTLET PRESSURE PORT	1	304 SS	1/2" NPT
11	OUTLET	1	304 SS	3" FLANGE

NOTES:

1. PRM FILTRATION IS ONLY A SUPPLIER OF THIS EQUIPMENT.
2. PRM IS NOT RESPONSIBLE FOR SPECIFYING THIS PRODUCT FOR THE APPLICATION.
3. BUYERS AND/OR USER SHOULD REQUIRE AN ENGINEER FOR ENSURING THAT THE PROPER EQUIPMENT IS INSTALLED FOR THE APPLICATION INCLUDING ALL PROPER SAFETY PRACTICES.
4. PRM IS NOT RESPONSIBLE FOR ANY DAMAGES TO PROPERTY AND/OR INJURY/DEATH RELATED TO IMPROPER INSTALLATION. FILTRATION EQUIPMENT INSTALLATIONS SHOULD ALWAYS INCLUDE ANCILLARY SAFETY DEVICES AND/OR OPERATIONAL PRACTICES.
5. IT IS AGREED THAT PRM NOR ITS OWNERS HAVE LIABILITY WITH THE INSTALLATION AND OPERATION OF THESE OR OTHER PRODUCTS PURCHASED FROM PRM.
6. ALLOW UP TO 1/4" TOLERANCE ON ALL MEASUREMENTS.
7. MODEL LINK: <https://a360.co/3PXq1Ad>



TYP 1 OF 4:  
1/2" FOOT HOLE

