

# Electric Actuator • AE-880

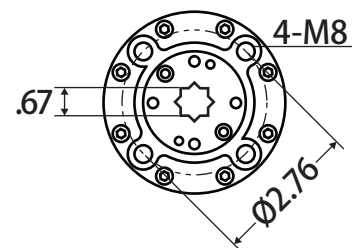
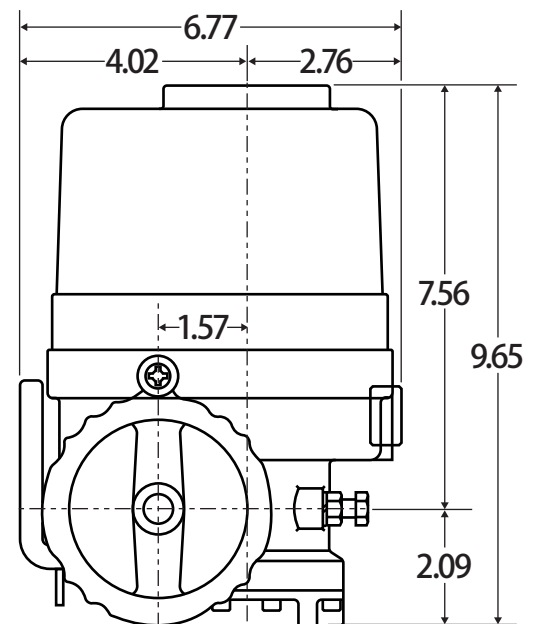
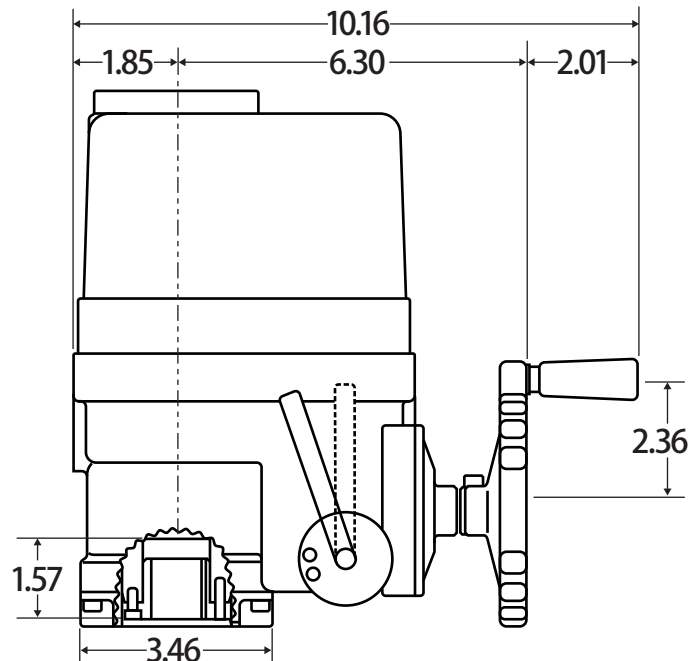


## Double Acting • Nema 4x • Manual Override



**AE-880**

Note: 5" of clearance needed to remove cover



### Features

- Hard anodized aluminum housing with external powder coating for severe duty applications
- Enclosure: IP67, NEMA4 and 4X, O-ring sealed
- ISO 5211 mounting
- 90° operation
- Adjustable mechanical stops to prevent over travel
- Position indicator
- De-clutchable manual override standard
- 120V / 1Ph / 60Hz
- Thermally protected induction motor
- Double worm gearing, no break required
- Spring loaded terminal block for ease in wiring

### Actuator Specs

Torque (in-lbs)	880
Output Square	0.67
ISO 5211 Mounting	F07
IEC Duty Cycle (S2)	Max 20 min
IEC Duty Cycle (S4)	30%, 800 start/hr
Operating Time, 90° @ 120V (secs)	18
Rated current @ 120V (Amp.) (Running/Max)	1.10/1.49
Motor Insulation Class	F
Weight (lbs)	15.4
Limit Switches	2 - 1 ea for Open & Close (10A, 250VAC)
Auxiliary Limit Switches	2 - 1 ea for Open & Close (10A, 250VAC)
Cable Entry	2 - 3/4" NPT
Internal Htr.	Yes - 5W
Temperature Range	-4° F to 158° F
Torque OL Protection	No

Each actuator **must** be powered through its own individual limit switch or relay contacts to prevent cross feed between two or more actuators. Not doing so will cause damage to the actuators and impact your process control as well as void warranty.

