

Electric Actuator • AE-350-24VDC



Double Acting • Nema 4x • Manual Override



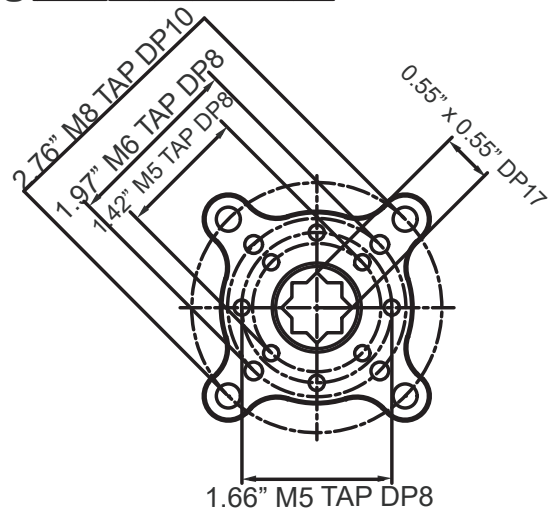
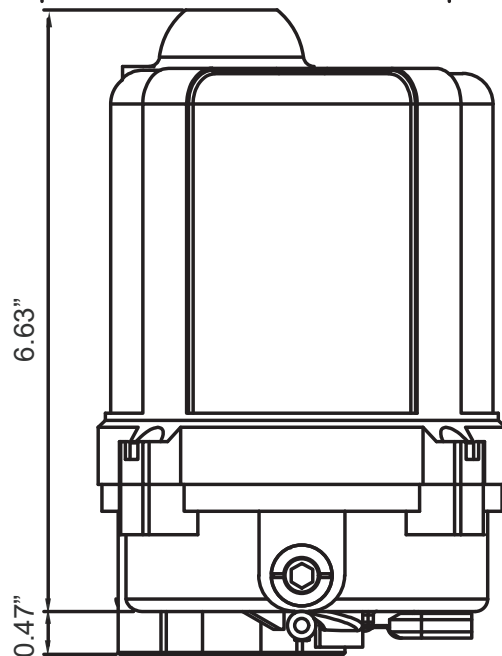
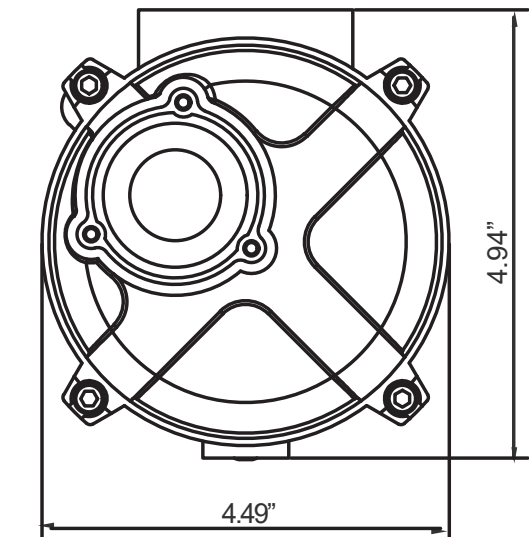
AE-350-24VDC

Features

- Hard anodized aluminum housing with external powder coating for severe duty applications
- Enclosure: IP66, O-ring sealed
- ISO 5211 mounting
- 90° operation
- Position indicator
- Manual override standard
- 24VDC
- Thermally protected induction motor
- Spring loaded terminal block for ease in wiring

Actuator Specs

Torque (in-lbs)	350
Output Square	0.55
ISO 5211 Mounting	F03 / F05 / F07
IEC Duty Cycle (S2)	Max 30 min
IEC Duty Cycle (S4)	50%
Operating Time, 90° @ 24VDC (secs)	12
Rated Current @ 24VDC (Amp) (Running)	0.9
Motor Insulation Class	B
Weight (lbs)	6.6
Limit Switches	2 - 1 ea for Open & Close (3A, 250VAC)
Cable Entry	2 - M20 x 1.5
Internal Htr.	Yes - 2W
Temperature Range	-4° F to 158° F



Electric Actuator • AE-350-24VDC



Wiring Diagram

