

# Direct Mount Ball Valve



## Stainless Steel, 2 Piece, Full Port, Flanged Connection, ISO Mounting Pad, 150 Class



**A2020D**

### Features

- Locking Device Comes Standard
- ISO 5211 Direct Mounting Pad
- Blow-out Proof Stem
- 100% Leak Tested
- Wetted Surfaces Contains Less than .25% Lead Content

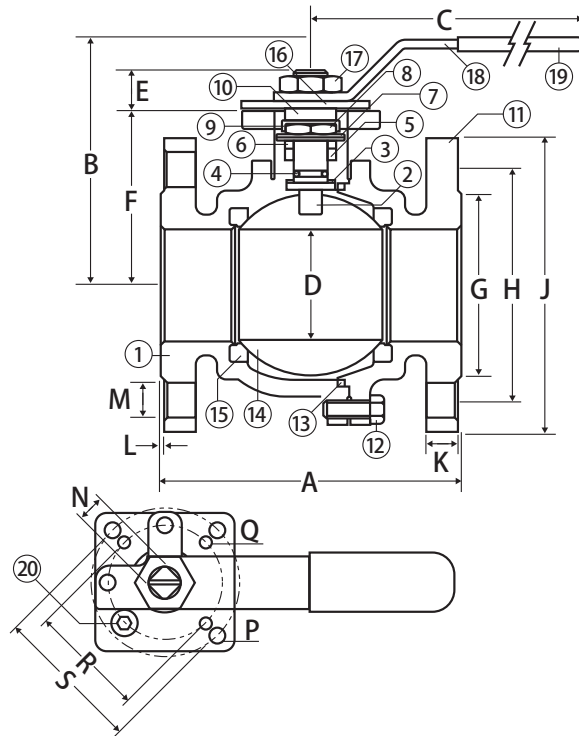
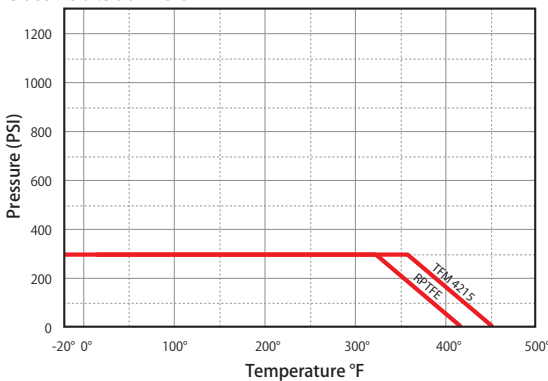
### Approvals



- Conforms to ANSI B16.34
- Flange: ANSI B16.5
- Face to Face: ANSI B16.10
- API 598
- NACE MR-01-75

### Valve Seat Rating

Class 150 :300 WOG



### Material Specifications

No.	Part	Materials	No.	Part	Materials
1	Body	CF8M	14	Ball	SS316
2	Stem	SS316	15	Ball Seat	RPTFE**
3	Thrust Washer	RPTFE	16	Stopper Plate	SS304
4	O-Ring	FKM	17	Handle Nut	SS304
5	Stem Packing	PTFE	18	Handle	SS304
6	Gland	SS304	19	Sleeve	Plastic
7	Disk Washer	SS301	20	Stop Pin	SS304
8	Stem Nut	SS304	21	Set Bolt*	SS304
9	Nut Stop	SS304	22	Lever Head*	CF8
10	Washer	SS304	23	Pipe Handle*	Steel Pipe
11	Flanged End	CF8M			
12	Bolt	SS304			
13	Gasket	PTFE			

\* Not shown and only on 2-1/2" + valves

\*\* TFM 4215 available via special request



**WARNING:** This product can expose you to chemicals including diisononyl phthalate (DINP), which is known to the State of California to cause cancer, and diisononyl phthalate (DINP), which is known to the State of California to cause birth defects or other reproductive harm. For more information go to [www.P65Warnings.ca.gov](http://www.P65Warnings.ca.gov).

### Dimensions

Part No.	Size	A	B	C	D	E	F	G	H	J	K	L	M	N	P	Q	R	S	Bolts	Torque
A2020D-12	1/2"	4.25	3.15	5.12	0.59	0.43	1.89	1.38	2.38	3.50	0.45	0.06	0.63	0.35	0.24	0.24	1.42	1.65	4	63.7
A2020D-34	3/4"	4.61	3.15	5.12	0.79	0.43	2.09	1.69	2.76	3.86	0.45	0.06	0.63	0.35	0.24	0.24	1.42	1.65	4	83.2
A2020D-1	1"	5.00	3.54	6.50	0.98	0.55	2.32	2.01	3.13	4.25	0.45	0.06	0.63	0.43	0.28	0.24	1.65	1.97	4	117
A2020D-114	1-1/4"	5.51	4.02	6.50	1.26	0.55	2.80	2.52	3.50	4.61	0.50	0.06	0.63	0.43	0.28	0.24	1.65	1.97	4	161
A2020D-112	1-1/2"	6.50	4.33	8.07	1.50	0.71	2.99	2.87	3.88	5.00	0.56	0.06	0.63	0.55	0.36	0.28	1.97	2.76	4	266
A2020D-2	2"	7.01	4.72	8.07	1.97	0.71	3.35	3.62	4.74	5.98	0.63	0.06	0.75	0.55	0.36	0.28	1.97	2.76	4	319
A2020D-212	2-1/2"	7.48	5.51	11.81	2.56	0.91	3.68	4.13	5.49	7.01	0.70	0.06	0.75	0.67	0.45	0.36	2.76	4.02	4	841
A2020D-3	3"	7.99	5.91	13.39	3.15	0.91	4.06	5.00	6.00	7.48	0.75	0.06	0.75	0.67	0.45	0.36	2.76	4.02	4	1170
A2020D-4	4"	9.02	7.09	16.54	3.94	0.98	5.20	6.18	7.50	9.02	0.94	0.06	0.75	0.87	0.53	0.45	4.02	4.92	8	2170

Note: Torque is in (in-lb)