



SERIES 250N LF SRL DEADMAN SPRING RETURN



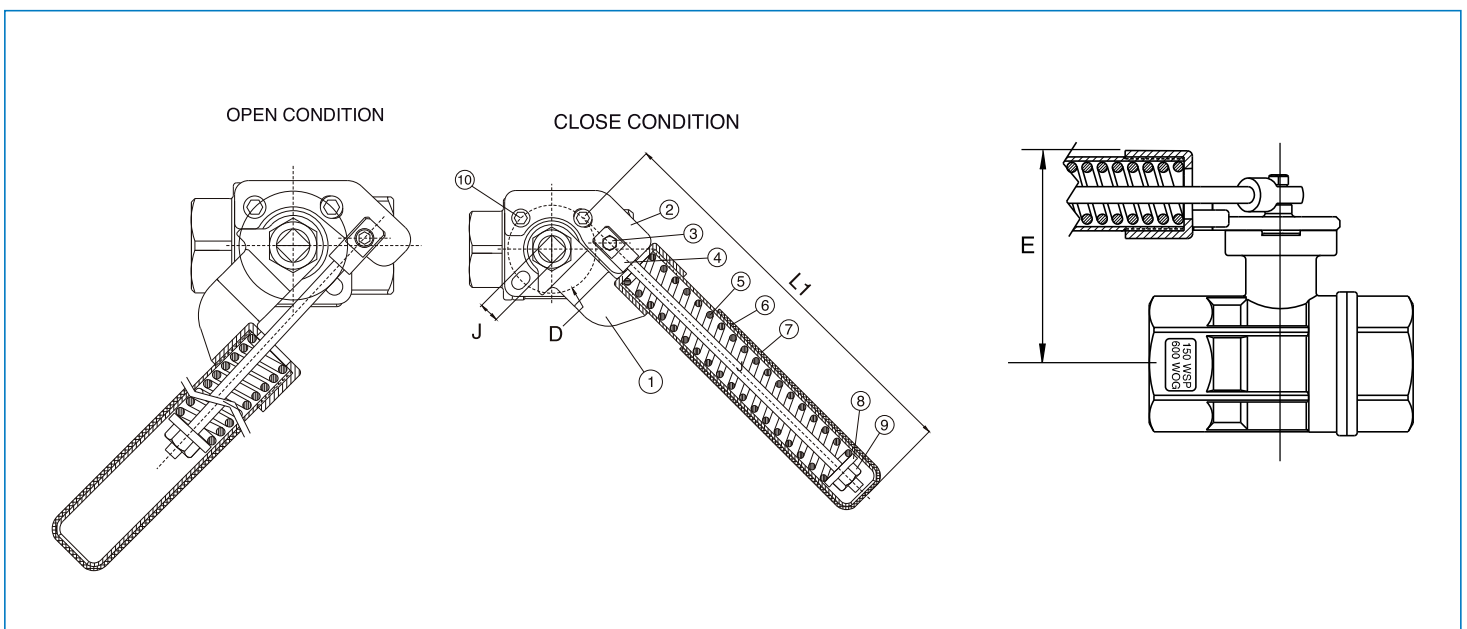
HEALTH EFFECTS US-CA
NSF 372
NSF 61

Deadman spring lever lead free brass 2-way 2-piece, full port, FNPT threaded.

- Pressure rating 600 WOG-150 WSP.
- Temperature range -4°F to +366°F.
- Blow-out proof stem, SLT. coated LF brass ball.
- P.T.F.E. seats with O-ring backing for low operating torque.
- P.T.F.E. seats and double O-ring stem packing.
- 100% electronically tested in the open and closed position at 80 psi.
- ANSI B1.20.1 connections.

250N LF SRL: size 1/4" to 3".

NEW



N POS	PART NAME	MATERIAL	SIZE	L1	J mm	D ISO 5211	E
1	HANDLE HEAD	ASTM A351-CF8M	1/4"	6.70	9	F03	1.78
2	ANCHOR	ASTM A351-CF8M	3/8"	6.70	9	F03	1.78
3	ANCHOR SCREW	AISI 316	1/2"	6.70	9	F03	1.78
4	SPRING ROD	AISI 316	3/4"	6.70	9	F03	1.86
5	SPRING	AISI 301	1"	6.70	9	F03	2.29
6	HANDLE EXTENSION	AISI L 304	1 1/4"	6.70	9	F03	2.43
7	SLEEVE	VINYL	1 1/2"	8.65	11	F05	3.02
8	WASHER	AISI 304	2"	8.65	11	F05	3.38
9	HEX NUT	AISI 304	2" 1/2	11.00	14	F07	3.99
10	SOCKET HEAD SCREW	AISI 304	3"	11.00	14	F07	3.99

* Lead free refers to the wetted surface of pipe, fittings and fixtures in potable water systems that have a weighted average lead content=0.25%. Source: California health & Safety code (116875). Vermont Act 193.

WARNING: This product can expose you to chemicals including lead, which is known to the State of California to cause cancer and birth defects or other reproductive harm. For more information go to www.p65warnings.ca.gov.

