



SERIES 100022 LF CHECK VALVE

Unibody check valve, high flow rate, lead free brass, FNPT threaded, in-line spring loaded check valve.

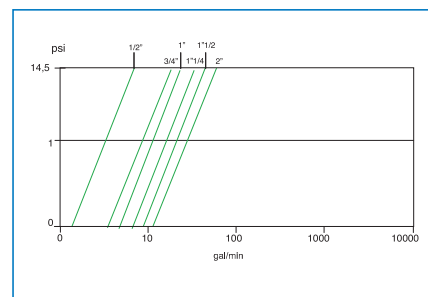
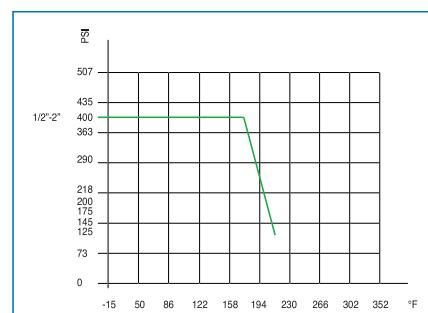
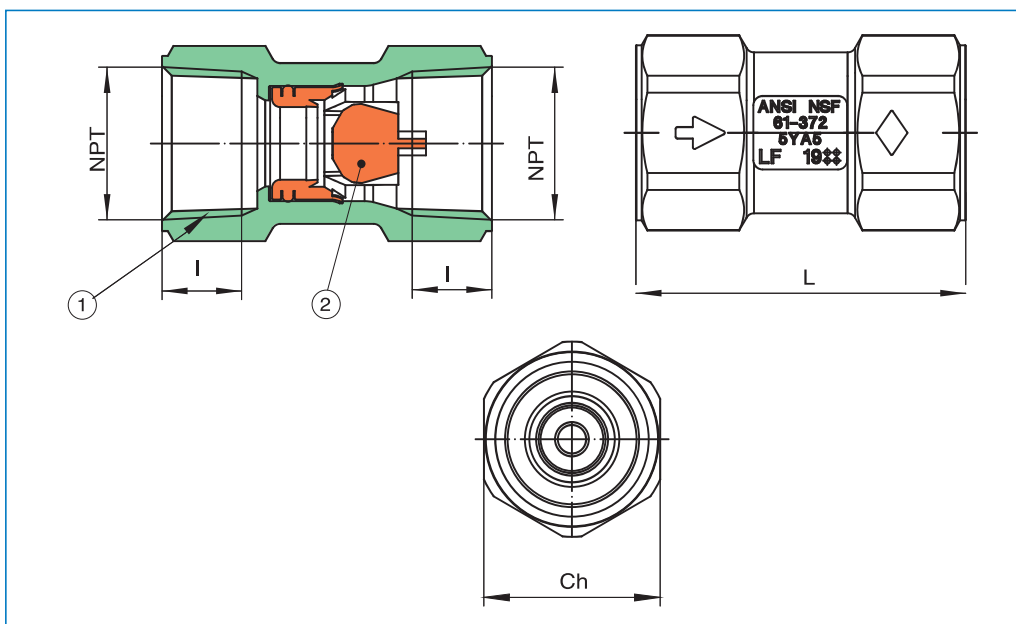
- Pressure rating size 400 WOG.
- Soft seat for bubble tight shutoff, spring loaded for fast seating action.
- Low cracking pressure 1/2 psi.
- Flow pattern to minimize head loss.
- Perfect sealing both at high and low pressure wide temperature range 4°F to 210°F.
- High technology materials to ensure best resistance in any condition.
- ANSI B1.20.1 connections (NPT).

100022 LF: size 1/2" to 2".



HEALTH EFFECTS US-CA
NSF 372
NSF 61

NEW



N POS	PART NAME	MATERIAL	N POS	SIZE	l	L	Ch	psi	Cv	Weight Lbs
1	BODY	LF BRASS C28500*	1	1/2"	0.71	2.22	0.96	400	5.32	0.24
				3/4"	0.91	2.87	1.24	400	10.17	0.40
				1"	0.94	3.17	1.5	400	17.34	0.66
2	CHECK VALVE	POM	1	1 1/4"	1.02	3.33	1.75	400	25.43	0.86
				1 1/2"	1.42	4.41	2.13	400	36.99	1.17
				2"	1.57	5.24	2.6	400	63.58	1.87

* Lead free refers to the wetted surface of pipe, fittings and fixtures in potable water systems that have a weighted average lead content= 0.25%. Source: California health & Safety code (116875). Vermont Act 193.

WARNING: This product can expose you to chemicals including lead, which is known to the State of California to cause cancer and birth defects or other reproductive harm. For more information go to www.p65warnings.ca.gov.

