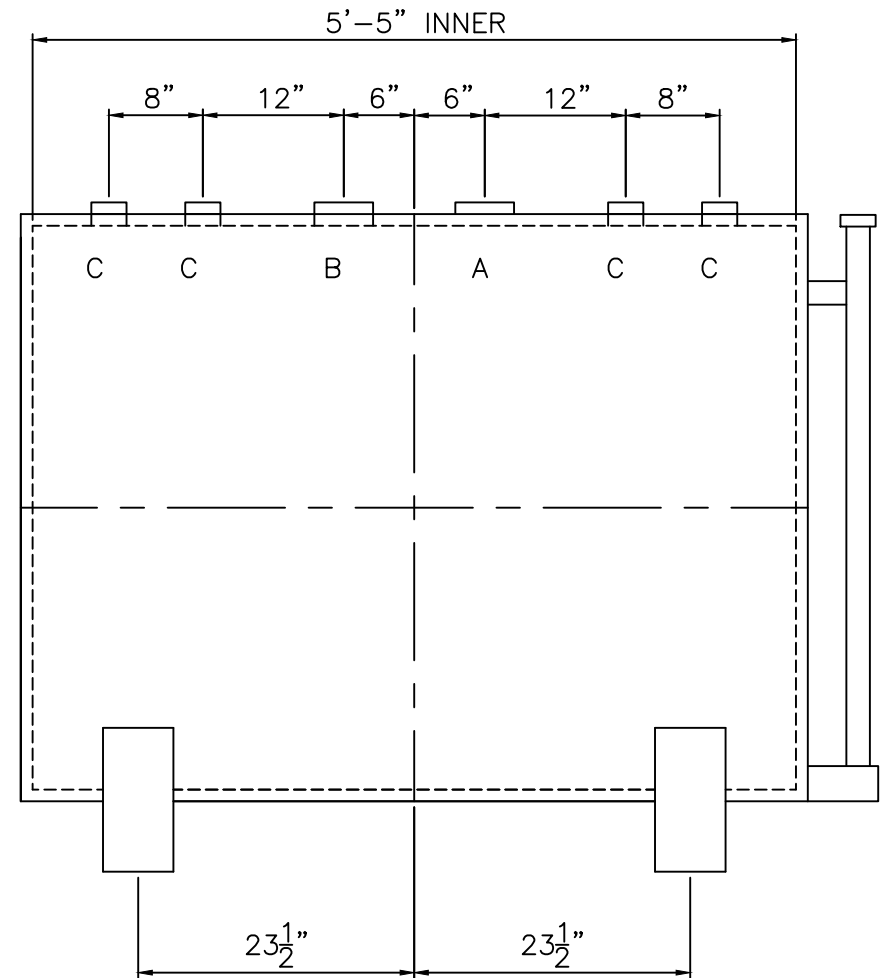
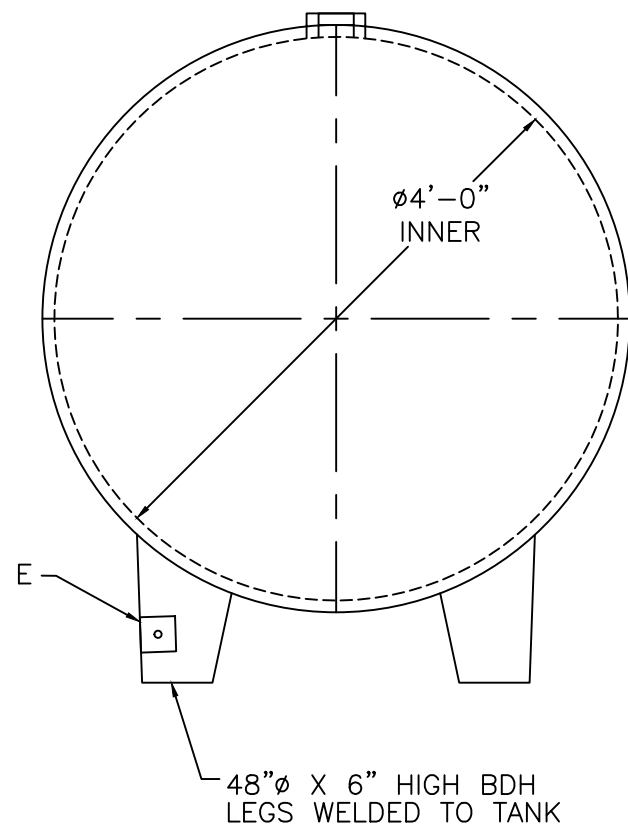


NOTE: ALL RIGHTS RESERVED. THIS DRAWING MUST NOT BE REPRODUCED IN ANY FORM WITHOUT THE WRITTEN PERMISSION OF HIGHLAND TANK®. HIGHLAND TANK® SHALL BE RESPONSIBLE ONLY FOR ITEMS INDICATED ON THIS FABRICATION DRAWING UNLESS OTHERWISE NOTED. CUSTOMER IS RESPONSIBLE FOR VERIFYING CORRECTNESS OF SIZE AND LOCATION OF FITTINGS, ACCESSORIES, AND COATINGS SHOWN ON THIS DRAWING.

TOUCH UP OF FINISHED PAINT IS REQUIRED BY INSTALLATION CONTRACTOR. TOUCH UP PAINT SHIPPED WITH TANK.



DESIGN DATA

| |
|--|
| CAPACITY - 500 GALLONS |
| TYPE - DOUBLE WALL - TYPE I |
| NO. REQ. - - |
| OPERATING PRESSURE - ATMOSPHERIC |
| SPECIFIC GRAVITY = 1.0 |
| TANK MATERIAL - MILD CARBON STEEL |
| THICKNESS - INNER- HEADS: 12 GA SHELL: 12 GA |
| THICKNESS - OUTER- HEADS: 10 GA SHELL: 10 GA |
| CONSTRUCTION - INNER - LAP WELD OUTSIDE ONLY |
| OUTER - LAP WELD OUTSIDE ONLY |
| TANK TEST - INNER - 5 PSIG |
| OUTER - +3 PSIG OR 13"hg VACUUM |
| INT. FINISH - NONE |
| EXT. FINISH - SHOP PRIMER |
| LABEL - UL 142 |

LEGEND

| | |
|---|---|
| A | 4" FITTING THROUGH OUTER SHELL ONLY - MARK WITH LABEL - SECONDARY EMERGENCY VENT USE ONLY |
| B | 4" FITTING - PRIMARY EMERGENCY VENT USE |
| C | 2" FITTING |
| D | 2" INTERSTITIAL MONITOR PIPE |
| E | 3" x 3" PLATE w/ 1/2"∅ (MIN.) HOLE ON CENTER (GROUNDING LUG-ONE REQ'D) |
| F | - |

| | |
|--|---------------------------|
|  Highland Tank | |
| UNLESS NOTED, TOLERANCES ARE +/- 1" | |
| 500 GAL 48"∅ DW BDH TANK | |
| CUSTOMER: | |
| PROJECT: | |
| QUOTE NO: | CHK'D BY: |
| SCALE: 3/4" = 12" | DATE: |
| DWG. BY: | DWG. NO: 00500BDH48DW12GA |