

BRASS  MONKEY®

The King of Cold®

www.brassmonkey.co.uk



Welcome to Brass Monkey

We exist to help you develop a strong and resilient mind and body. To rethink what we once thought was challenging. Combating stress and anxiety, supporting your immune system and cardiovascular conditioning, enhancing focus and increasing your energy levels.

We harness the power of the cold using patented technology to create an elevated experience. We make ice baths that look as good as they make you feel, with experience design that focuses on your needs and your vision. All engineered beautiful, built to last and made in Britain.



The Brass Monkey experience



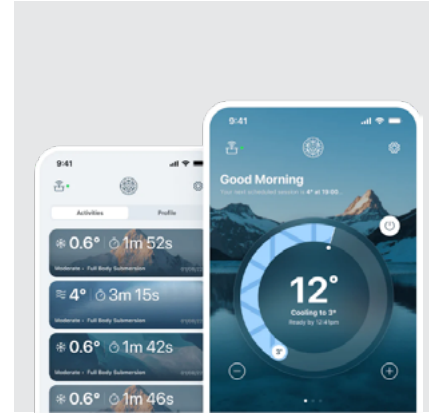
One of a kind

Our patented technology generates its own ice using a system you control, and the dual filtration ensures the water is always fresh and clean. All with an unparalleled pro-grade design, every model is built to last from the highest quality materials.



Beauty served ice cold

With 100's of colour and material combinations, flexible installation options and completely bespoke builds available, we create a bath that is, quite literally, made just for you.



Supported service

When the installation is complete, we're here for you. With remote digital support management via our app and regular check-ins, we're on hand to ensure you have all the help and guidance you need to continue your cold immersion journey.



Seamless solutions

Every bath or plunge uses the same state-of-the-art technology, but how they're installed varies on the model and the space we're working with. That's why we have three versatile installation options to deliver a seamless finish that looks and feels the way you imagined. We're here to support you every step of the way, with experience design consultations through to full project management...



3 ways to install

01. Standalone

An individual, fully integrated model, visible in its entirety, installed in one place and wrapped in your chosen finish.



02. Headless

This mode of installation has your chosen model sitting in one space while the ice-generating technology and filtration system hub are connected, but installed elsewhere.



03. Partitioned

A wall is built to divide your chosen model from the technology hub, separating the two visually, yet remaining fully physically connected, giving the appearance of a smaller bath or plunge.

Beautifully bespoke

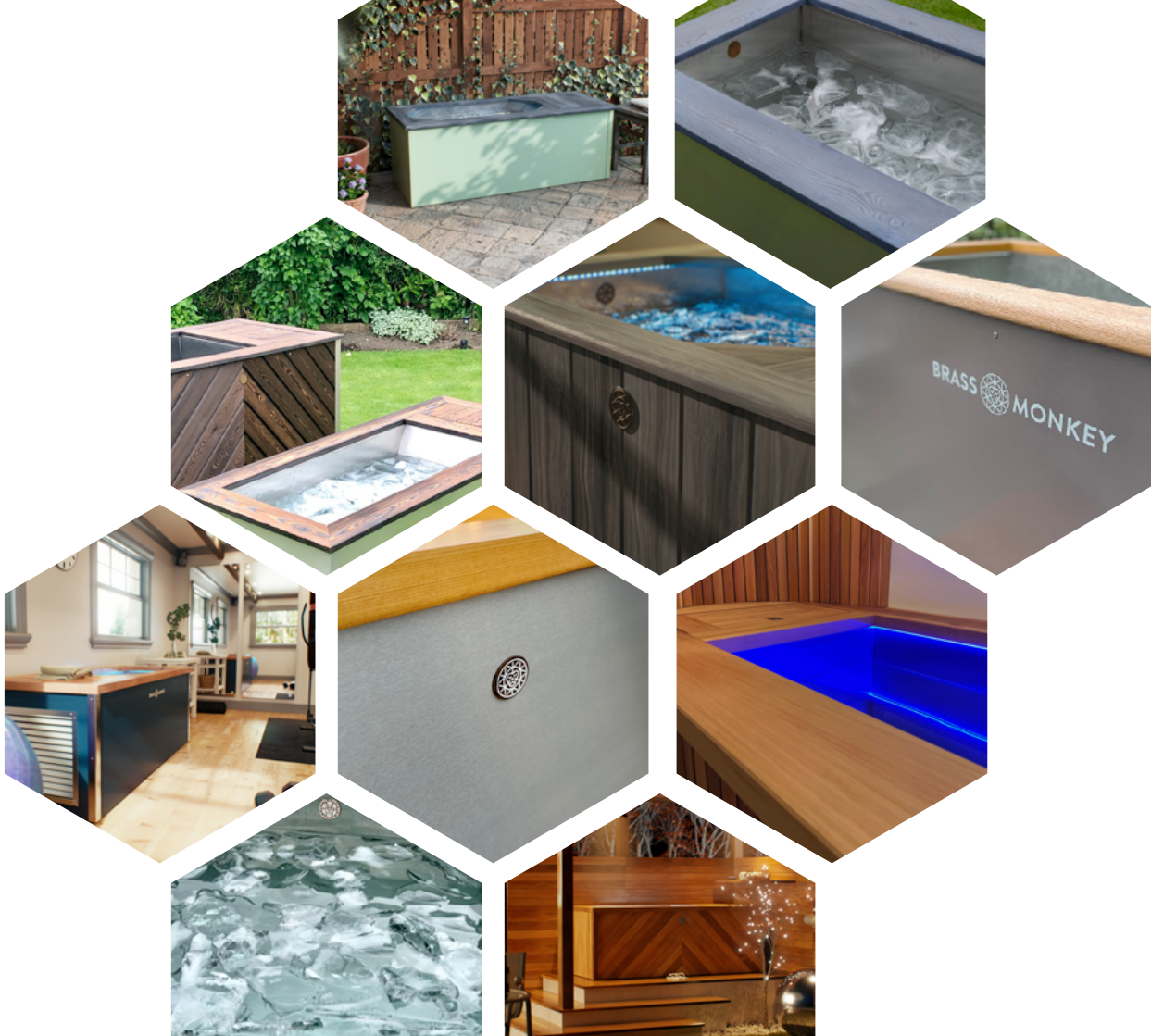
We understand the importance of the aesthetic. With a huge choice of material and colour combinations, as well as completely bespoke options available, we bring your vision to life.

Our team is here to provide the level of support you need. With experience design consultation and full project management services available, we can ensure you get exactly what you want, the way you want it. If you prefer a plunge for one or space for two, we can make it happen. Change the internal lighting? No problem. Choose any colour and cladding, free-standing or sunken into the ground, naked or completely bespoke. Whatever you need, our experts are there to make it all possible.

Ready to take the plunge?

Email us at hello@brassmonkey.co.uk and book a consultation today.





Frozen features

From standard to bespoke, all Brass Monkey models include a suite of features designed to put you in complete control of your experience.

- Reinforced seat at the back for breath work / meditation
- Internal drishti - gaze point to support focus in the ice
- Lighting around bath for use at night / darker environments
- Automated temperature management, 10°C to 0.1°C
- Automated cleaning using UV and two-stage filtration
- Simple override buttons to control cleaning & freezing processes
- Weatherproof and flexible finishes
- Indoor & outdoor covers available
- Wifi enabled for over the air updates and remote support
- Mobile app supported for ice bath management



Ice Bath

Lean back in the ice. Modelled around a standard domestic bathtub, it has a familiar reclined position and is the perfect size to fit through most standard doorways.

- Can live indoors or outdoors
- Automated ice-making
- Temperatures as low as 0.1°C
- Three ways to integrate into your space
- Wifi-enabled remote control and support
- Handmade to order
- 2-year limited warranty

From £10,000 (inc VAT)





Ice Plunge

Get neck deep. The bigger sibling of the original Ice Bath, the Ice Plunge is designed for a deeper submersion with a more up-right position. As our most popular model, it's shorter and wider than the ice bath.

- Can live indoors or outdoors
- Automated ice-making
- Temperatures as low as 0.1°C
- Three ways to integrate into your space
- Wifi-enabled remote control and support
- Handmade to order
- 2-year limited warranty

From £10,500 (inc VAT)





Ice Plunge XL

Go one deeper. If you are taller than 6ft 4", over 16 stone or just want plenty of room for your dips, the Ice Plunge XL is the one for you. It works exactly like our standard Ice Plunge, just in a bigger size

- Can live indoors or outdoors
- Automated ice-making
- Temperatures as low as 0.1°C
- Three ways to integrate into your space
- Wifi-enabled remote control and support
- Handmade to order
- 2-year limited warranty

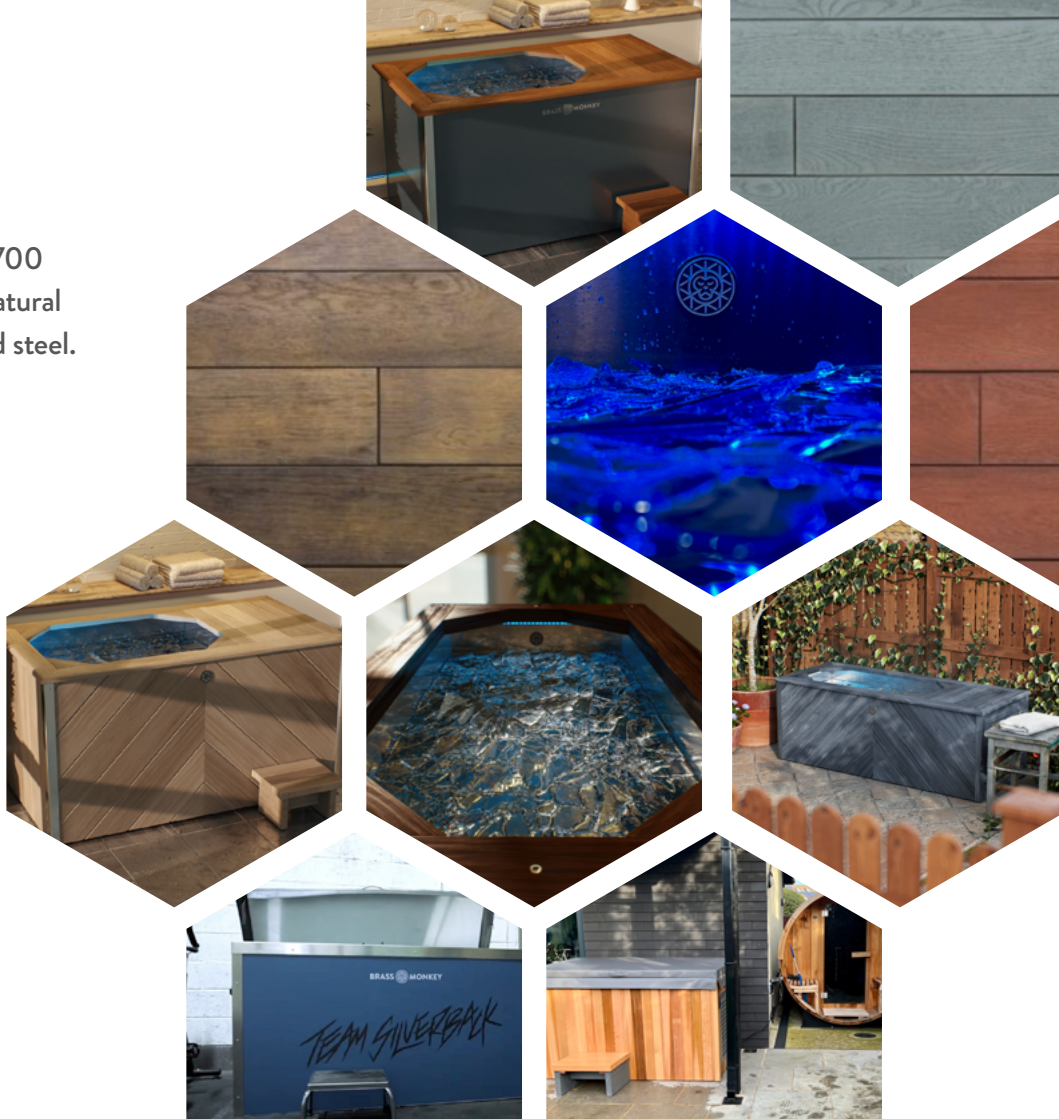
From £12,000 (inc VAT)



Get the look

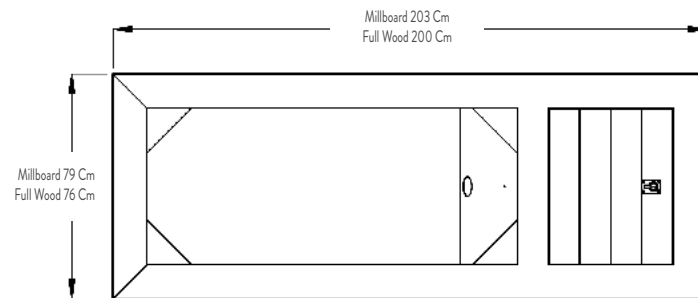
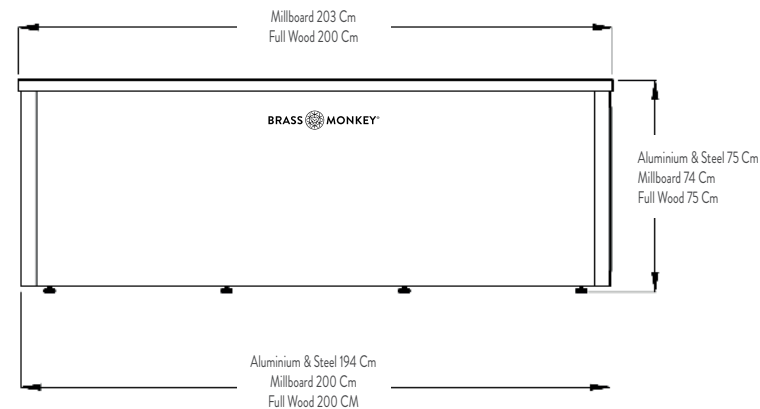
Create your signature style with over 700 finish options made from millboard, natural wood, composite, stainless and painted steel.

- Natural wood - cedar, thermo-wood in natural, chalked or dark finishes
- Millboard - a durable resin in a wood-effect finished in a choice of 8 colour-ways
- Choose any colour or simple stainless sides
- Custom logos and prints available in hard-wearing vinyl

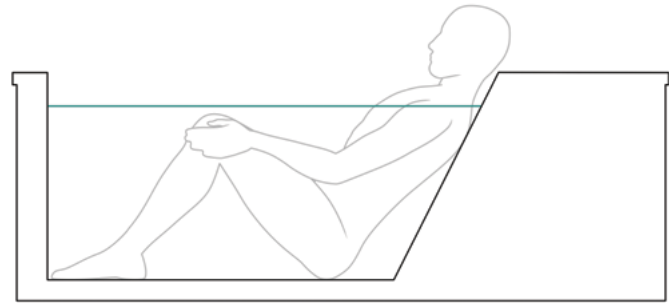
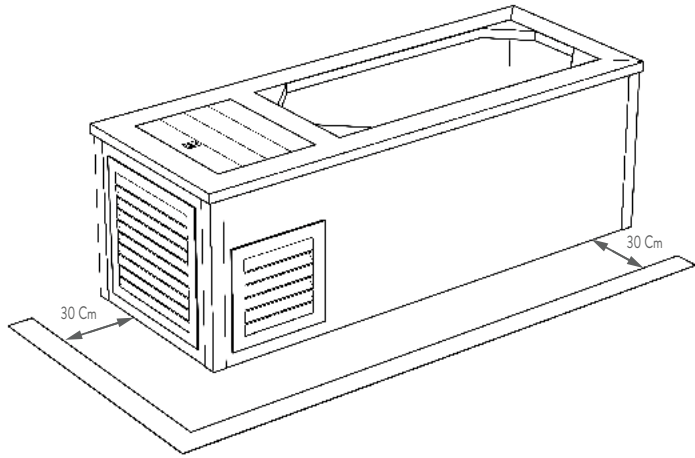
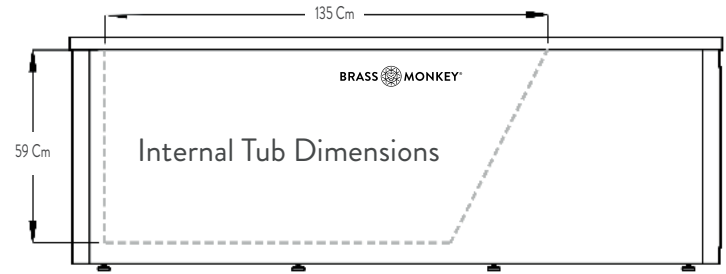
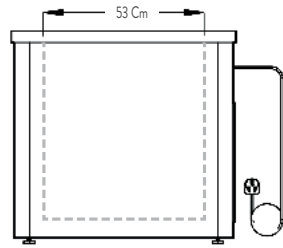
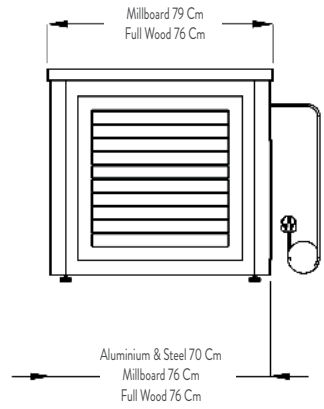


Size and specs — Ice Bath

Cladding Variant:	Overall Dims (Cm):	Max Water Level (Cm):	Max Water Vol (L):	Empty Weight (Kg):	Filled Weight (Kg):
Naked	L:193 x W:69 x H:70	48	275	150	505
Aluminium	L:203 x W:79 x H:75	48	275	185	540
Steel	L:203 x W:79 x H:75	48	275	207	562
Millboard	L:203 x W:79 x H:74	48	275	229	584
Full Wood	L:203 x W:79 x H:74	48	275	229	584

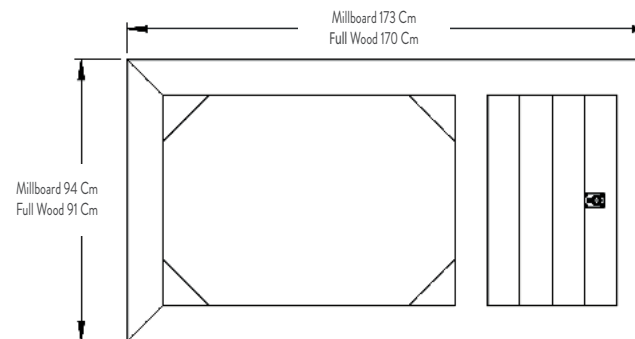
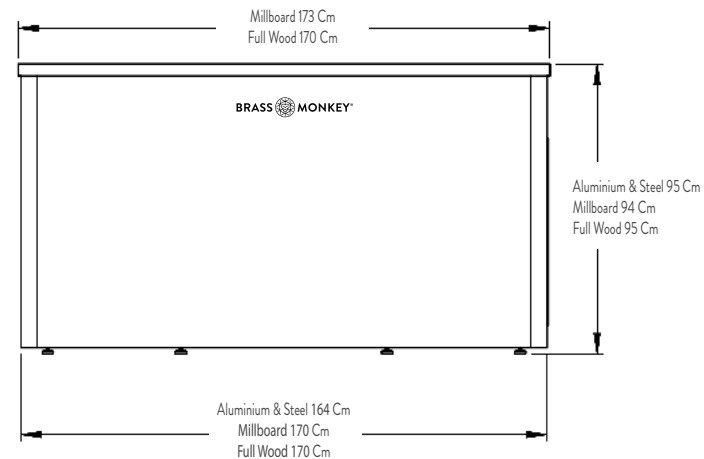


Artwork not to scale. For full detailed drawings please visit brassmonkey.co.uk/drawings

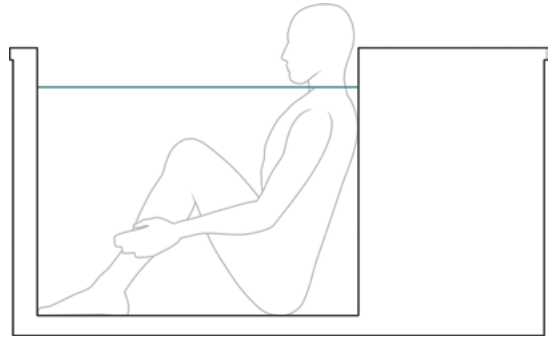
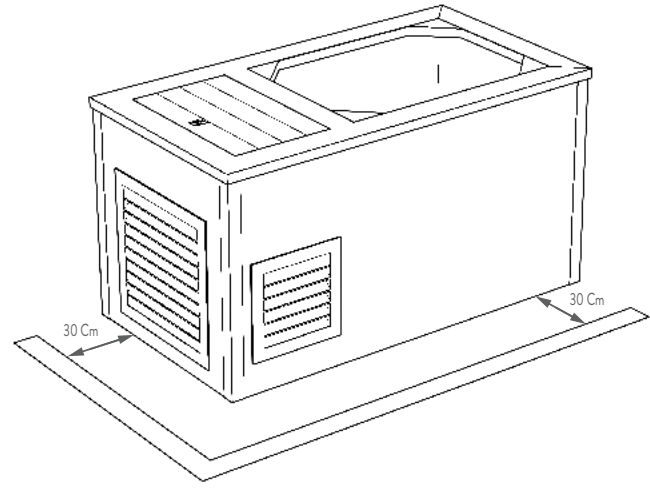
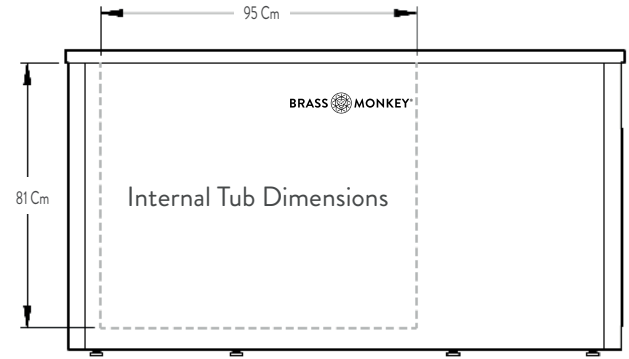
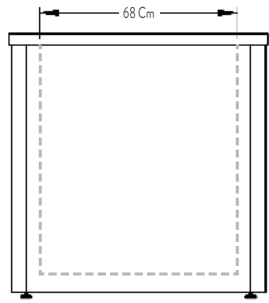
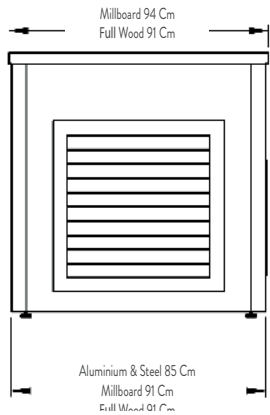


Size and specs — Ice Plunge

Cladding Variant:	Overall Dims (Cm):	Max Water Level (Cm):	Max Water Vol (L):	Empty Weight (Kg):	Filled Weight (Kg):
Naked	L:163 x W:84 x H:87	74.8	435	168	688
Aluminium	L:173 x W:94 x H:95	74.8	435	200	720
Steel	L:173 x W:94 x H:95	74.8	435	219	739
Millboard	L:173 x W:94 x H:94	74.8	435	231	751
Full Wood	L:170 x W:91 x H:95	74.8	435	231	751

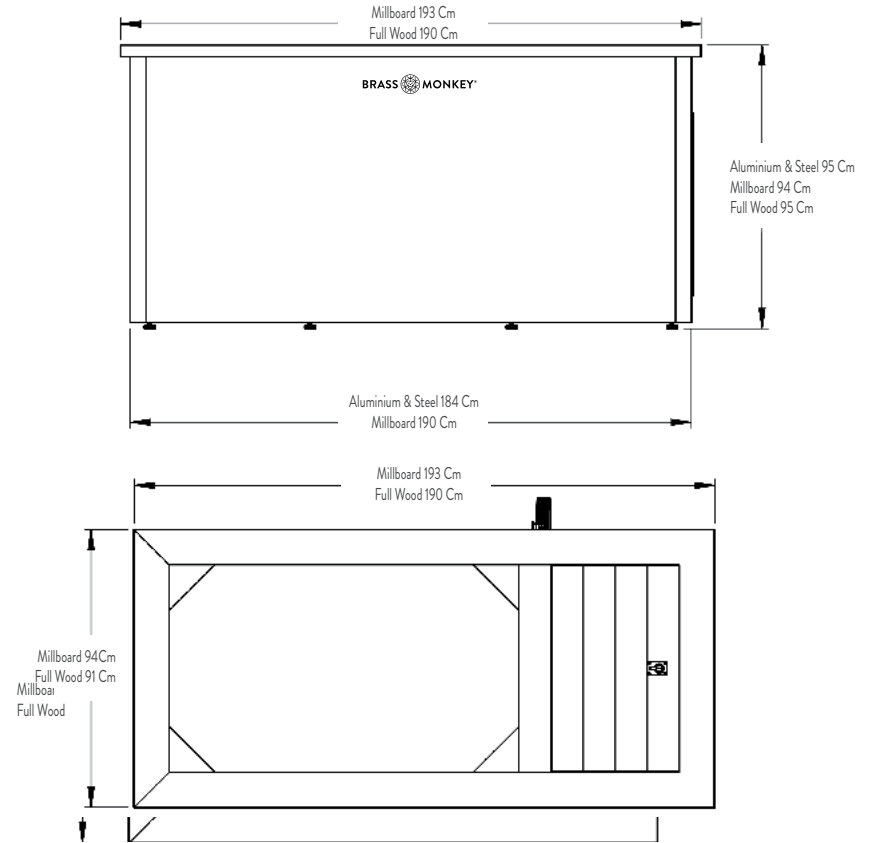


Artwork not to scale. For full detailed drawings please visit brassmonkey.co.uk/drawings

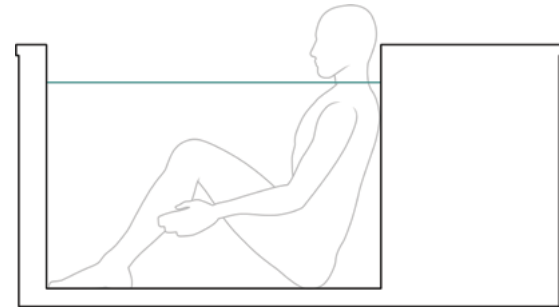
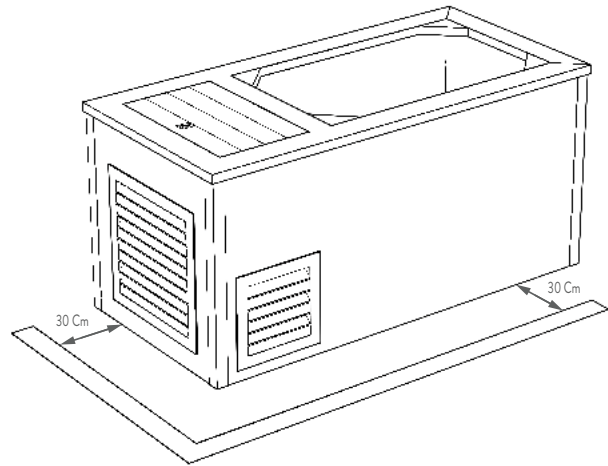
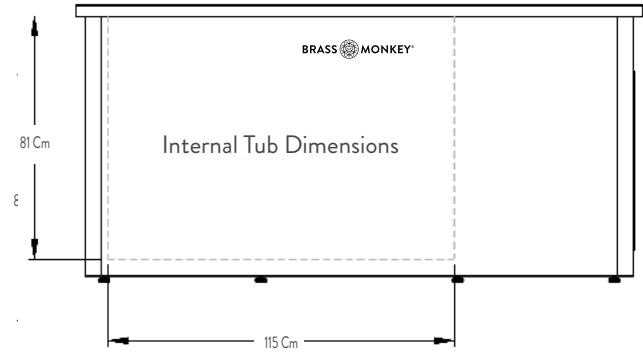
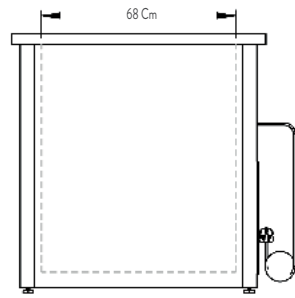
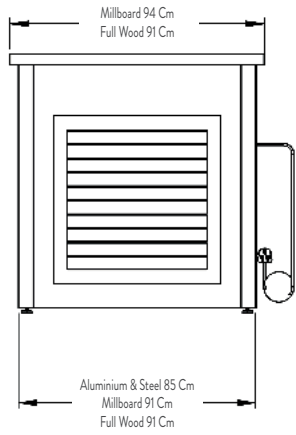


Size and specs — Ice Plunge XL

Cladding Variant:	Overall Dims (Cm):	Max Water Level (Cm):	Max Water Vol (L):	Empty Weight (Kg):	Filled Weight (Kg):
Naked	L:183 x W:84 x H:87	74.8	500	176	676
Aluminium	L:193 x W:94 x H:95	74.8	500	217	717
Steel	L:193 x W:94 x H:95	74.8	500	246	746
Millboard	L:193 x W:94 x H:94	74.8	500	275	775
Full Wood	L:190 x W:91 x H:95	74.8	500	275	775



Artwork not to scale. For full detailed drawings please visit brassmonkey.co.uk/drawings



Pricing

	Top	Sides	Cost including UK VAT (20%)
Ice Bath	Naked	Naked	£10,000
	Millboard (Copered, Burnt & Limed)	Aluminum composite (2x grey & one brushed)	£11,250
	Cedar & all millboard options	Steel in core colour palette	£12,995
	Full millboard	All colours	£13,250
	Full wood	All colours	£13,750

	Top	Sides	Cost including UK VAT (20%)
Ice Plunge	Naked	Naked	£10,500
	Millboard (Copered, Burnt & Limed)	Aluminum composite (2x grey & one brushed)	£11,750
	Cedar & all millboard options	Steel in core colour palette	£13,495
	Full millboard	All colours	£13,750
	Full wood	All colours	£14,250

Extras	Delivery from (1 person)	£450
	Integrations to water and waste	£500
	Outdoor rain cover	£250
	Maintenance pack - 4 filters and 1 UV bulb	£165
	Annual service	£800
	Site visits for custom guidance	£500

Extras	Delivery from (1 person)	£450
	Integrations to water and waste	£500
	Outdoor rain cover	£250
	Maintenance pack - 4 filters and 1 UV bulb	£165
	Annual service	£800
	Site visits for custom guidance	£500

	Top	Sides	Cost including UK VAT (20%)
Ice Plunge XL	Naked	Naked	£12,000
	Millboard (Copered, Burnt & Limed)	Aluminum composite (2x grey & one brushed)	£13,250
	Cedar & all millboard options	Steel in core colour palette	£14,995
	Full millboard	All colours	£15,250
	Full wood	All colours	£15,750

Extras	Delivery from (1 person)	£450
	Integrations to water and waste	£500
	Outdoor rain cover	£280
	Maintenance pack - 4 filters and 1 UV bulb	£165
	Annual service	£800
	Site visits for custom guidance	£500

Important to note:

- All models require a regular 240v UK power supply and socket
- Bath and Plunge tub inserts are made from 304 stainless steel
- Wooden tops (in 4 options) or Millboard tops (in 8 colour options) included
- Step for easy access in and out included (required for Plunge and Plunge XL only)
- All models delivered as Standalone unless specified
- Premium option available with powder coated steel sides (any RAL) with vents and corners colour matched – priced separately
- Indoor cover included. Outdoor covers are priced separately
- Full installation options - priced separately
- All bespoke builds or customisation options priced individually.



The world's only automated Ice Bath just got smarter

Beautiful. Ice-making. Smartphone connected. All brass Monkey models are delivered with unique features and finishes that put you in control of your ice or cold water baths.

Wireless updates

Wifi connection allows us to publish key software updates to your ice bath, as well as enabling learn and adapt technology to understand and pre-empt your needs over time.

Guided ice dips from experts, available to everyone

From breathwork and cold experts to athletes and mental health coaches, we help you get the most from the cold.

Coming soon: Daniel Kluken, Inner Mountain Expeditions.

Safe installation

Your Ice Bath must plug into a socket that directly connects to a power sock in your home (no extension cables). Your Ice Bath must be protected against earth faults with a 30mA RCD (residual current device). This is critical for the trip switch, that prevents damaged or waterlogged cables or connections from causing an electric shock, to function correctly. If you're unsure, it's vital that you hire a fully qualified and Part P-registered electrician to check.

Staying safe in your Brass Monkey



Clean water

Your Brass Monkey is built to remove dirt, debris and pathogens without the need for chlorine or chemical additives, so long as you follow these regular maintenance steps:

- a) Filter Change:** Filtration keeps the water clear by removing the debris, dead skin and hair. Change the filter every month. A reusable filter must be cleaned and dried prior to re-using it.
- b) UV bulb check:** The UV light kills the bacteria and pathogens. Check the indicator bulb weekly and change it every year.

Treat the cold like a new friend

Cold water immersion is one of the best things you can do for your health. And, just like making a new friend, the journey is best progressed naturally. Take it steady. Consider making friends with your Ice Bath at 7-10°C for around one minute, and each week, bring the temperature down and/or simply experiment by extending duration by another 30 seconds and see how it feels. In just one month, it's possible to work your way to lower temperatures and sit in water under 2°C for a few minutes.



BRASS MONKEY®

Call us: 0113 526 7255

Email: Hello@brassmonkey.co.uk

Visit: www.brassmonkey.co.uk