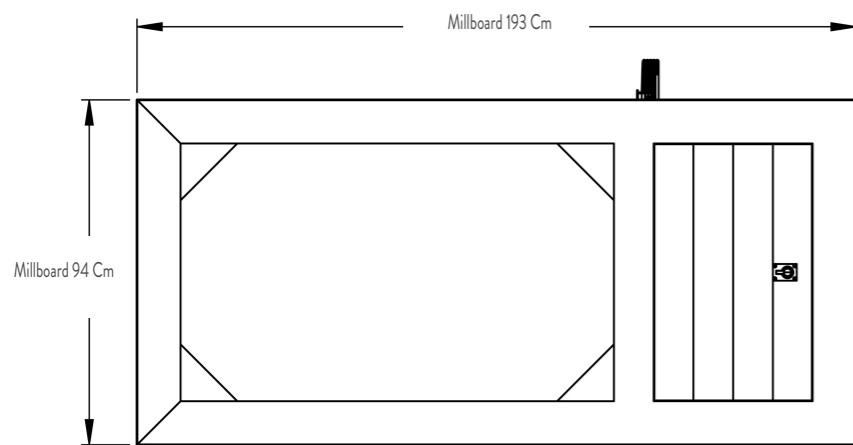
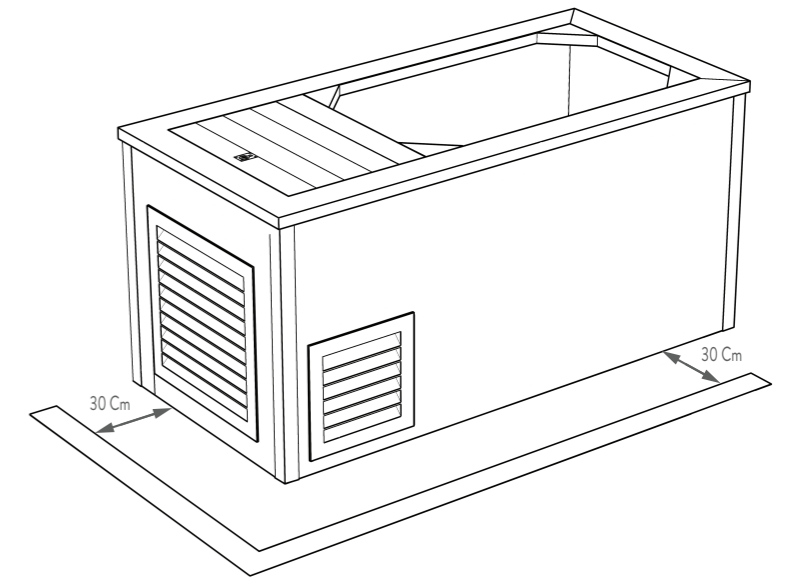
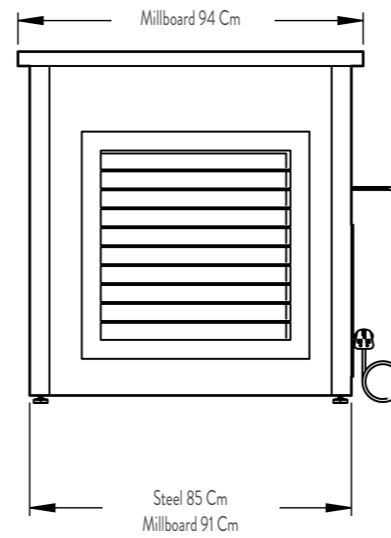
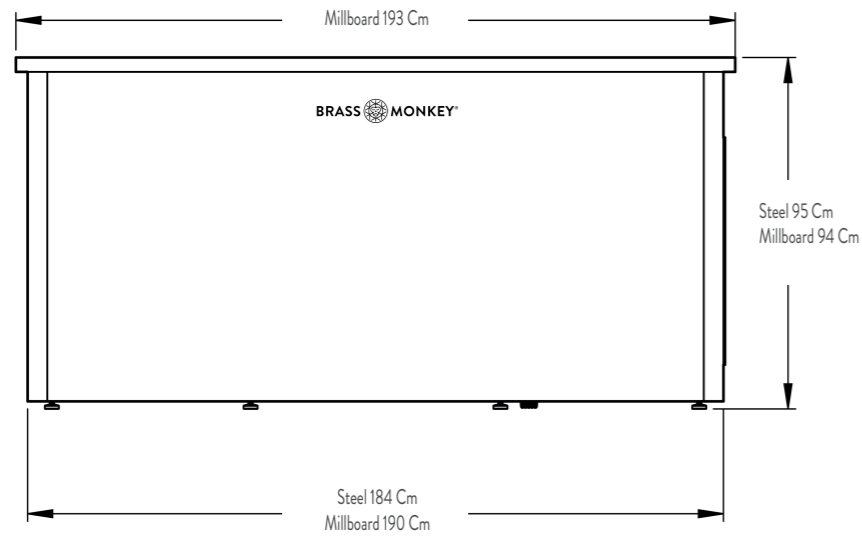


Pro Plunge

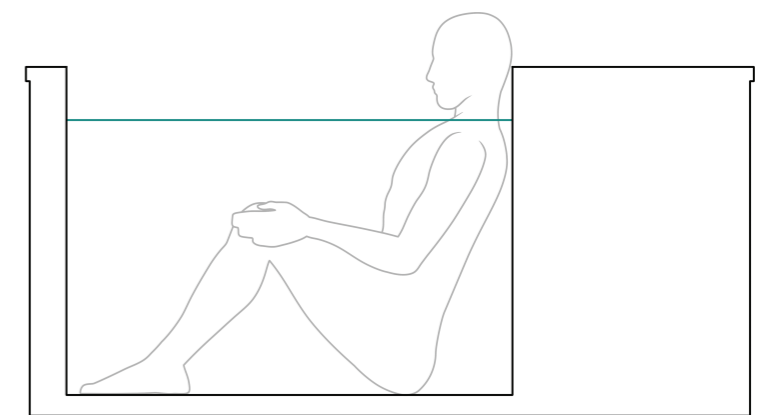
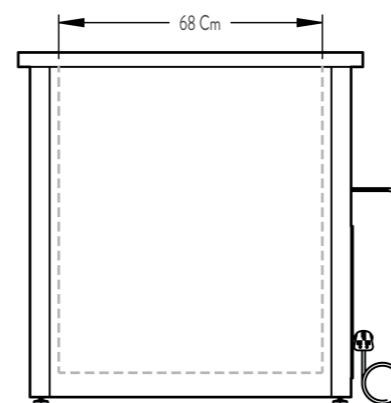
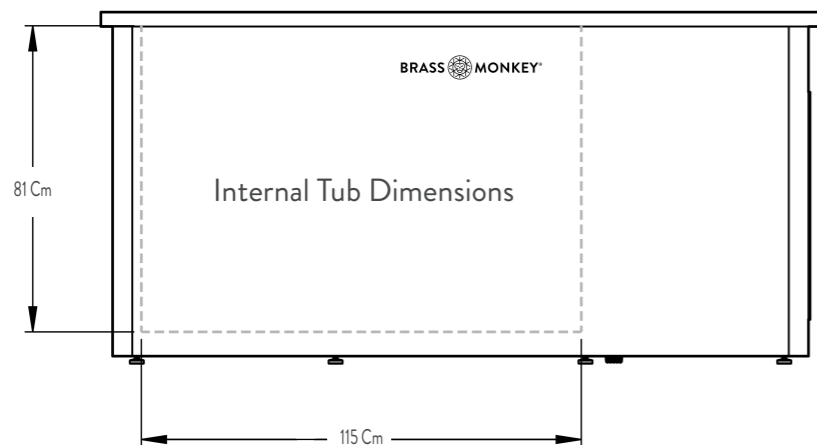


Cladding Variant:	Overall Dims (Cm):	Max Water Level (Cm):	Max Water Vol (L):	Empty Weight (Kg):	Filled Weight (Kg):
Naked	L:183 x W:84 x H:87	74.8	500	215	715
Steel	L:193 x W:94 x H:95	74.8	500	285	785
Millboard	L:193 x W:94 x H:94	74.8	500	314	814

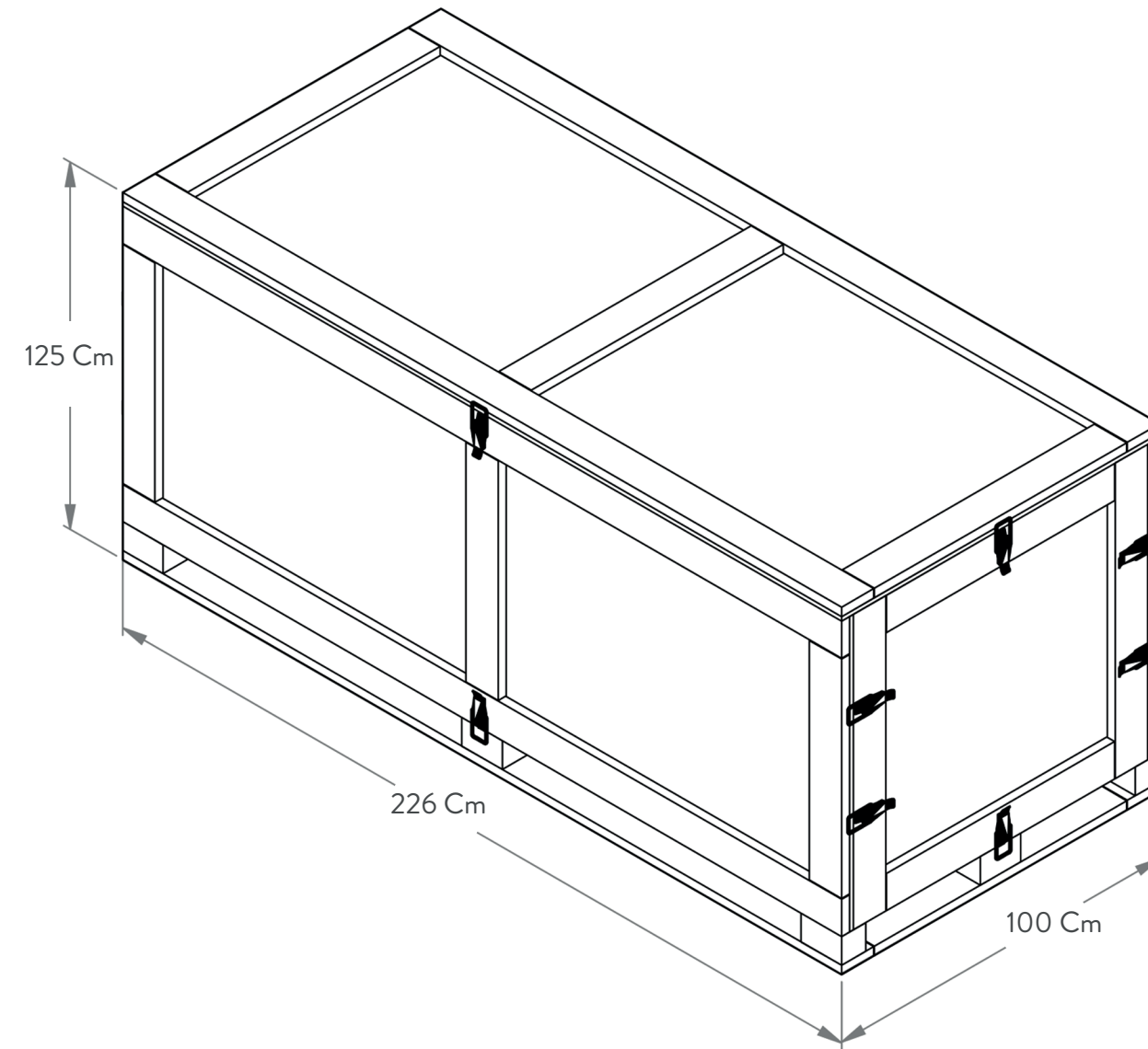
Voltage: 240V AC
Power Current: 2.55 Amps

Power consumption idle: 0.129kWh
Power consumption cooling: 0.410 kWh

Noise level idle: 39 db
Noise level cooling: 56 db



Pro Plunge



Cladding Variant:	Crated / Palleted Dims (Cm):	Crated Weight (Kg):
Naked	L:226 x W:100 x H:125	305
Steel	L:226 x W:100 x H:125	375
Millboard	L:226 x W:100 x H:125	404