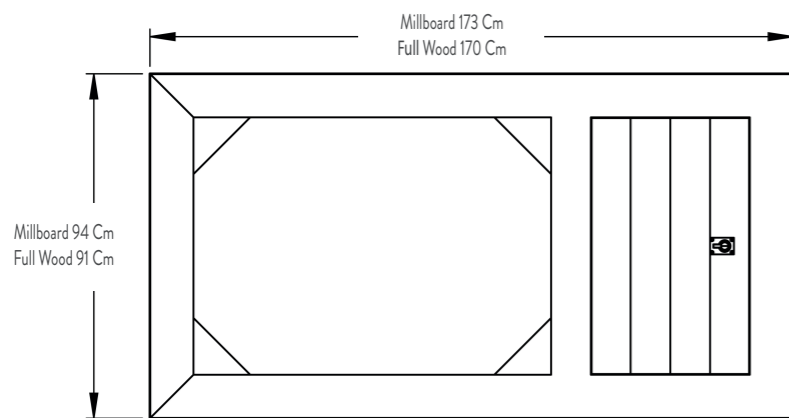
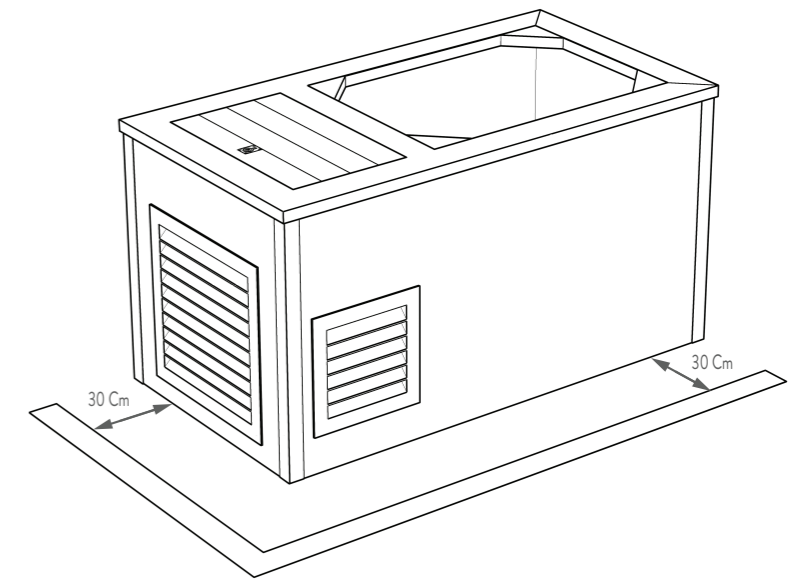
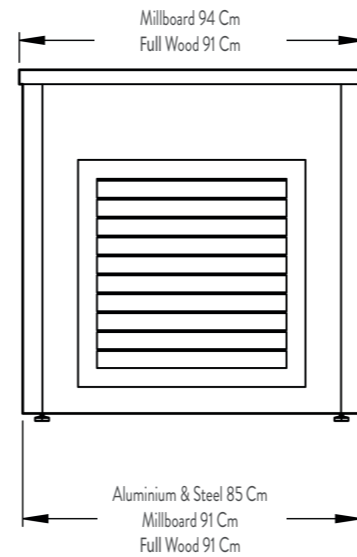
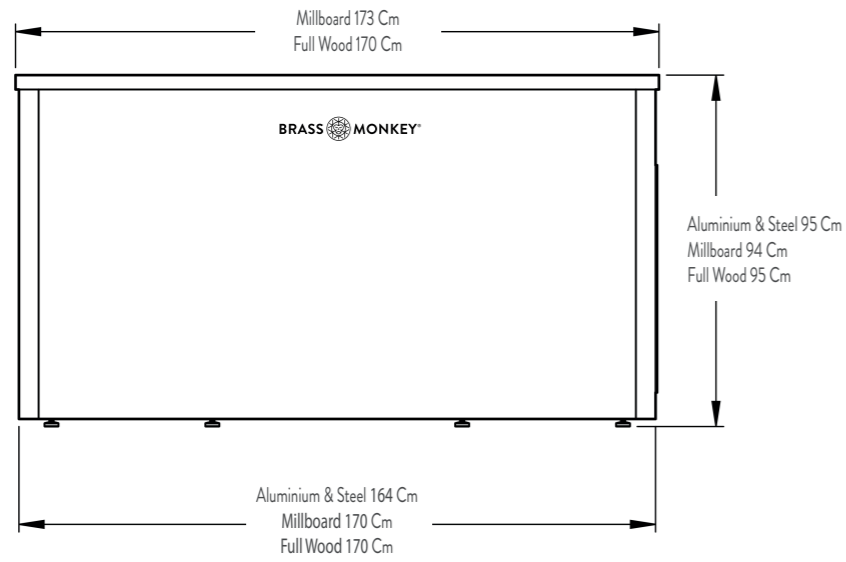


Ice Plunge

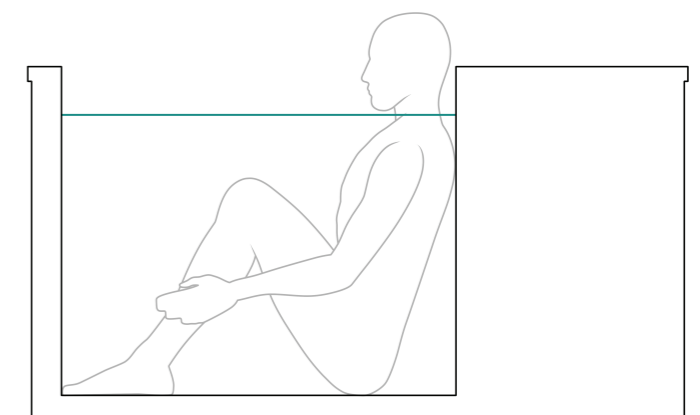
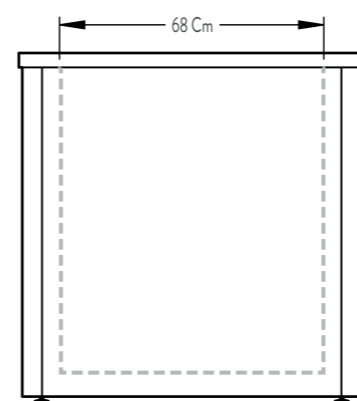
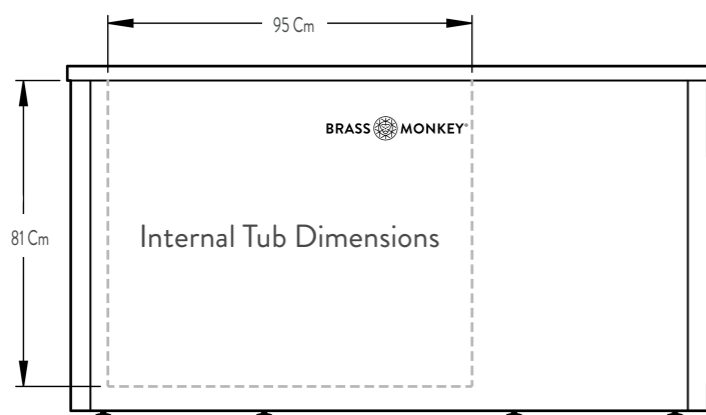


Cladding Variant:	Overall Dims (Cm):	Max Water Level (Cm):	Max Water Vol (L):	Empty Weight (Kg):	Filled Weight (Kg):
Naked	L:163 x W:84 x H:87	74.8	435	168	688
Aluminium	L:173 x W:94 x H:95	74.8	435	200	720
Steel	L:173 x W:94 x H:95	74.8	435	219	739
Millboard	L:173 x W:94 x H:94	74.8	435	231	751
Full Wood	L:170 x W:91 x H:95	74.8	435	231	751

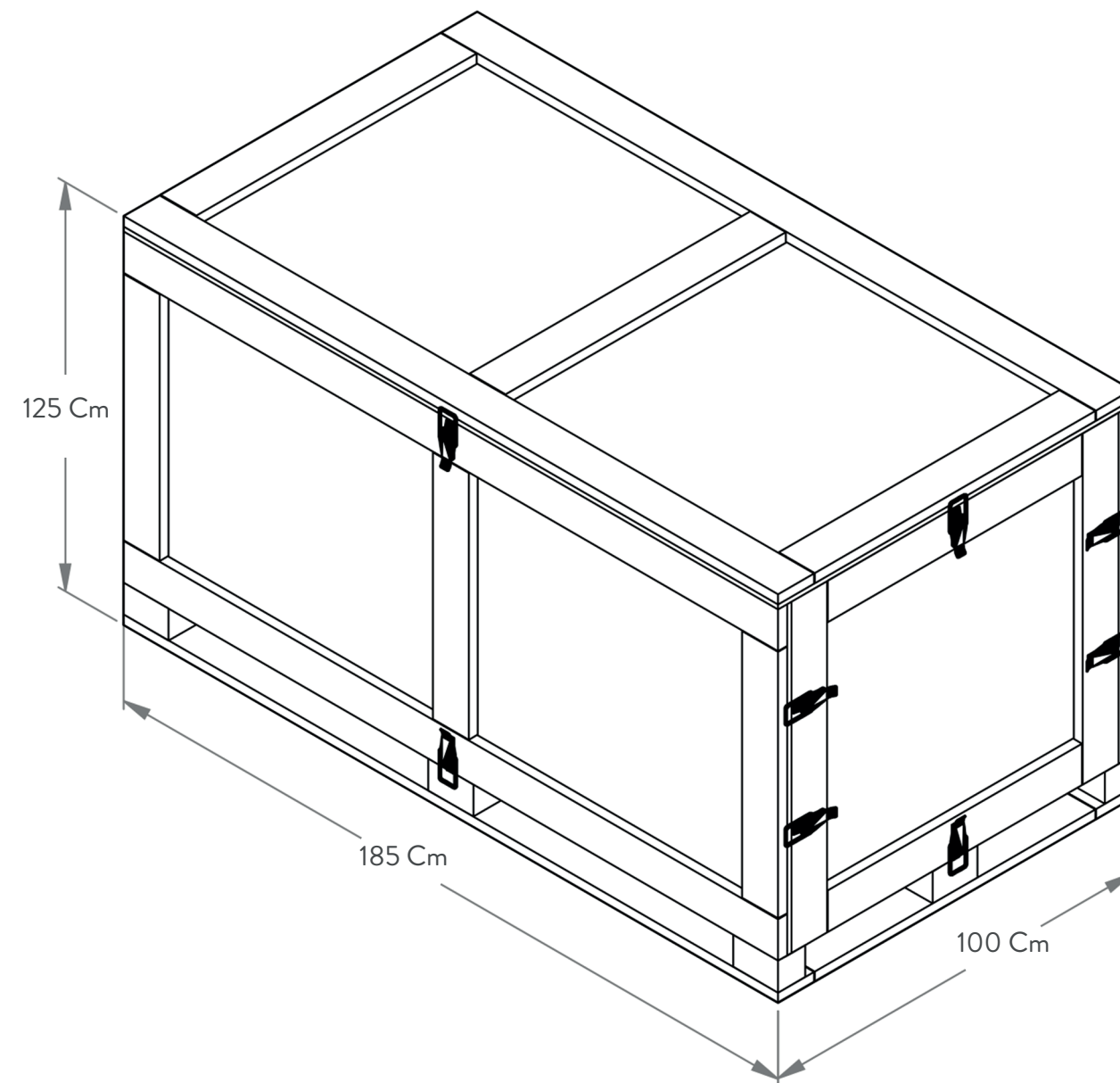
Voltage: 240V AC
Power Current: 2.55 Amps

Power consumption idle: 0.129kWh
Power consumption cooling: 0.410 kWh

Noise level idle: 39 db
Noise level cooling: 56 db



Ice Plunge



Cladding Variant:	Crated / Palletted Dims (Cm):	Crated Weight (Kg):
Naked	L:185 x W:100 x H:125	253
Full Wood	L:185 x W:100 x H:125	316
Steel	L:185 x W:100 x H:125	304
Aluminium	L:185 x W:100 x H:125	285
Millboard	L:185 x W:100 x H:125	316