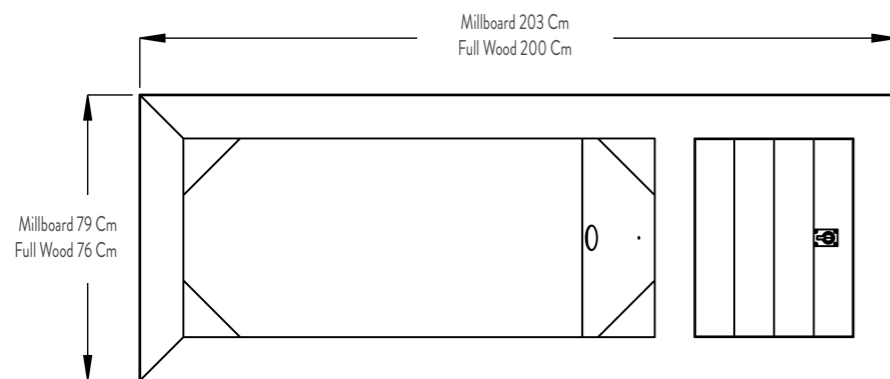
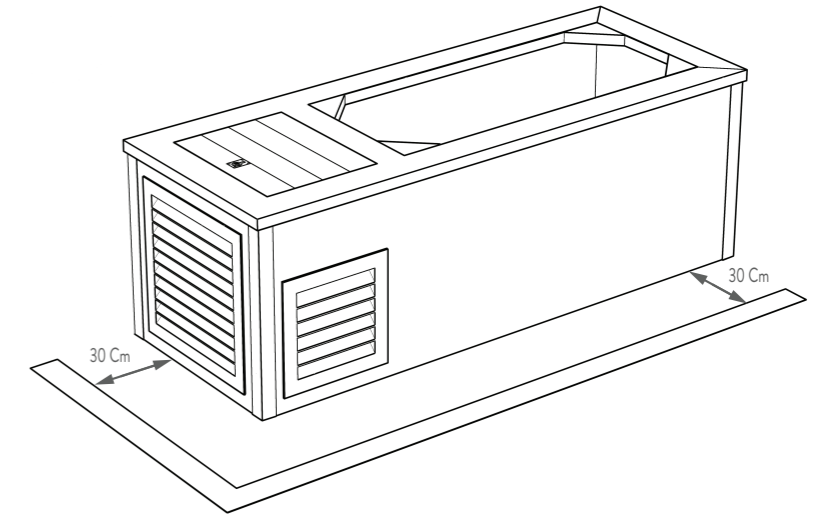
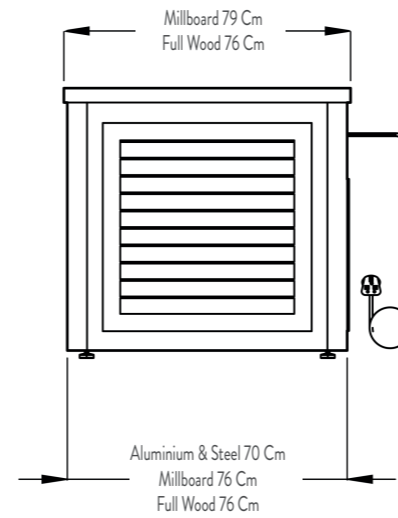
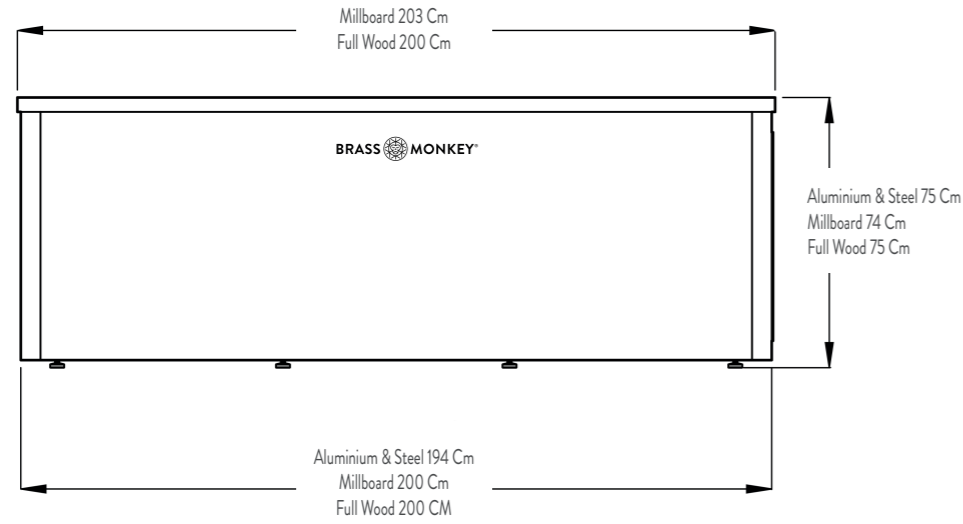


Ice Bath

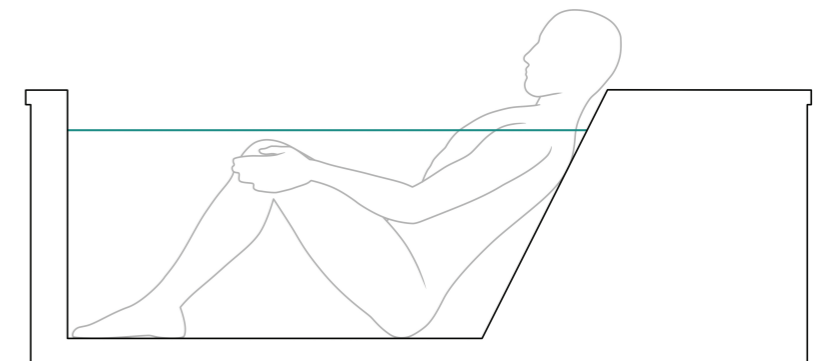
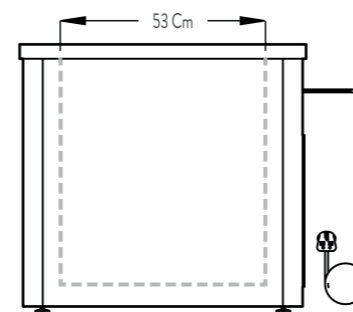
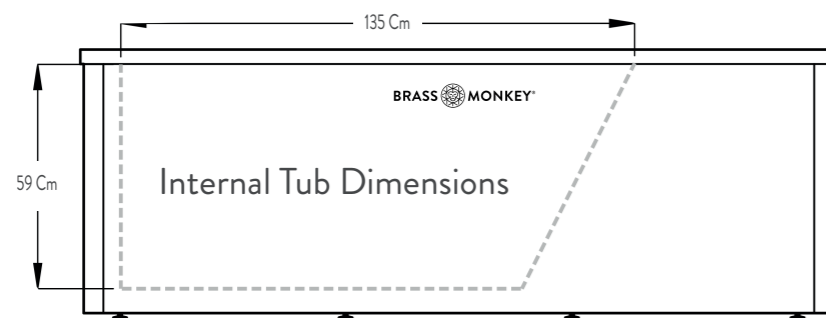


Cladding Variant:	Overall Dims (Cm):	Max Water Level (Cm):	Max Water Vol (L):	Empty Weight (Kg):	Filled Weight (Kg):
Naked	L:193 x W:69 x H:70	48	275	150	505
Aluminium	L:203 x W:79 x H:75	48	275	185	540
Steel	L:203 x W:79 x H:75	48	275	207	562
Millboard	L:203 x W:79 x H:74	48	275	229	584
Full Wood	L:200 x W:76 x H:75	48	275	229	584

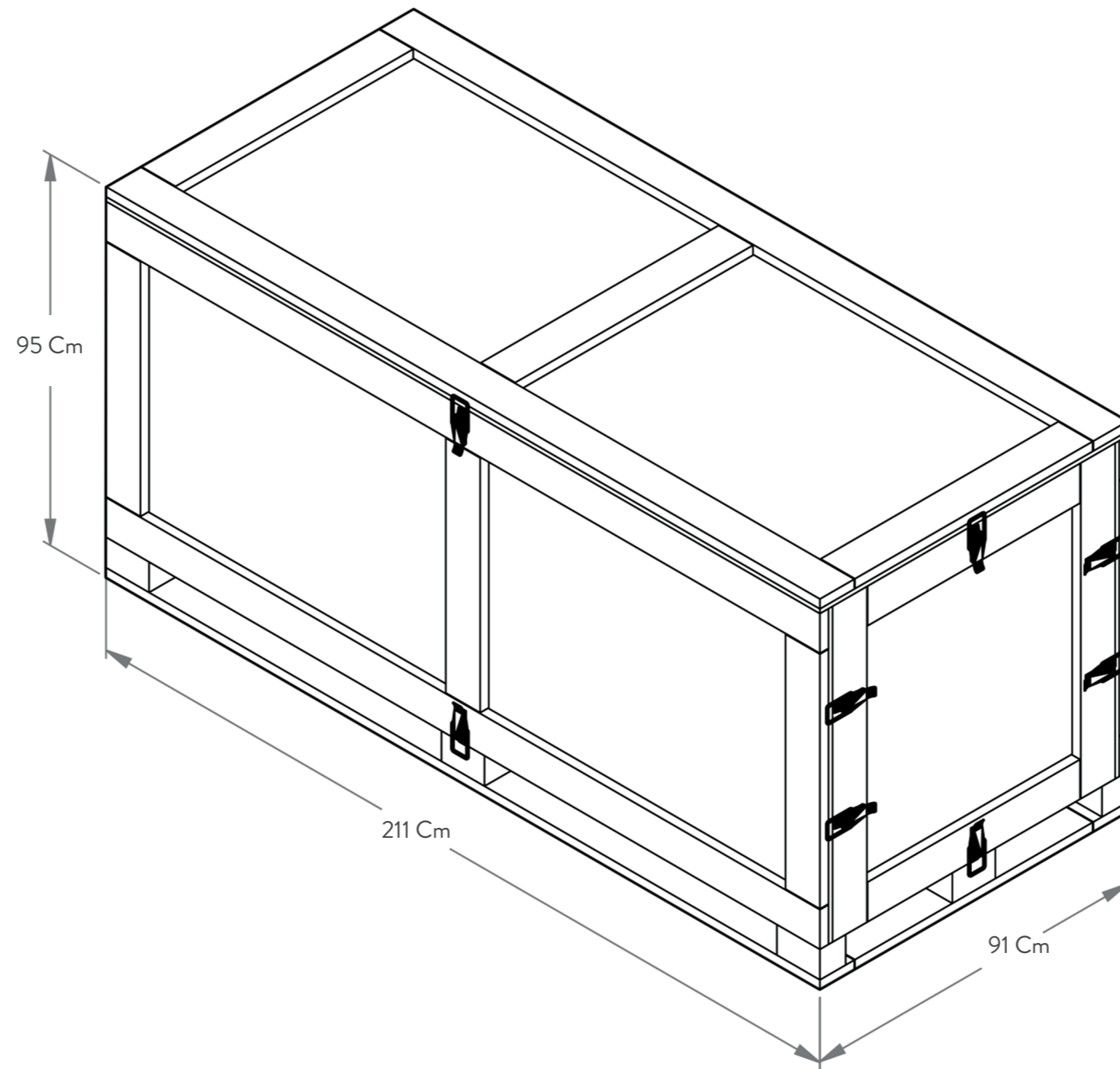
Voltage: 240V AC
Power Current: 2.55 Amps

Power consumption idle: 0.129kWh
Power consumption cooling: 0.410 kWh

Noise level idle: 39 db
Noise level cooling: 56 db



Ice Bath



Cladding Variant:	Crated / Palletted Dims (Cm):	Crated Weight (Kg):
Naked	L:211 x W:91 x H:95	230
Full Wood	L:211 x W:91 x H:95	309
Steel	L:211 x W:91 x H:95	287
Aluminium	L:211 x W:91 x H:95	265
Millboard	L:211 x W:91 x H:95	309