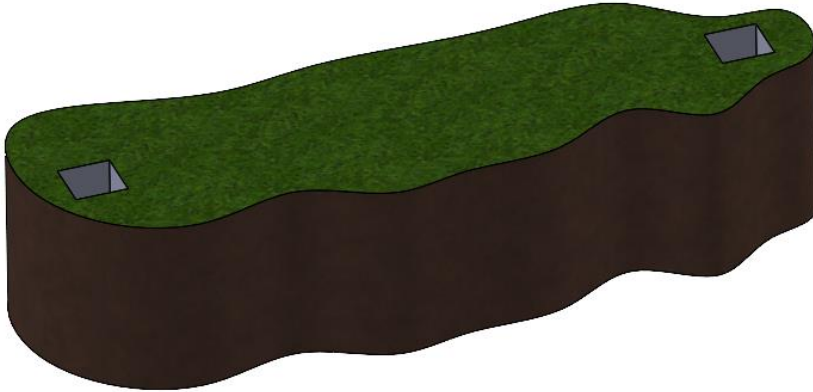
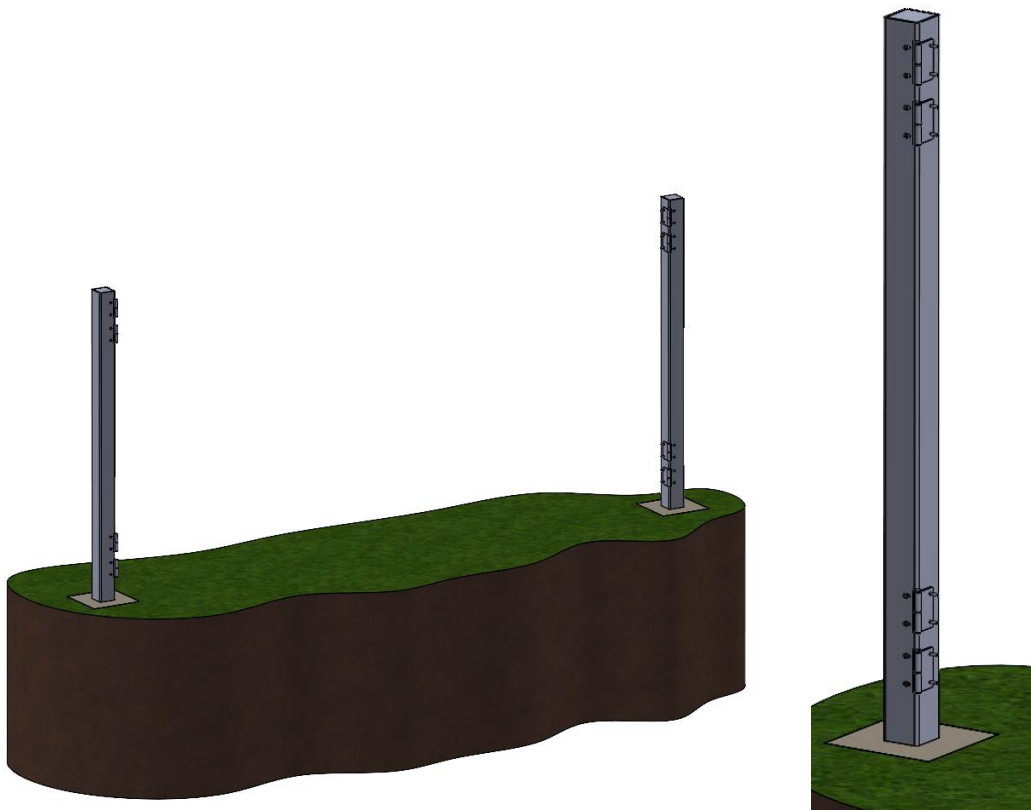


## Saige Driveway Gate Fitting Instructions – ISSUE 2 MAR23

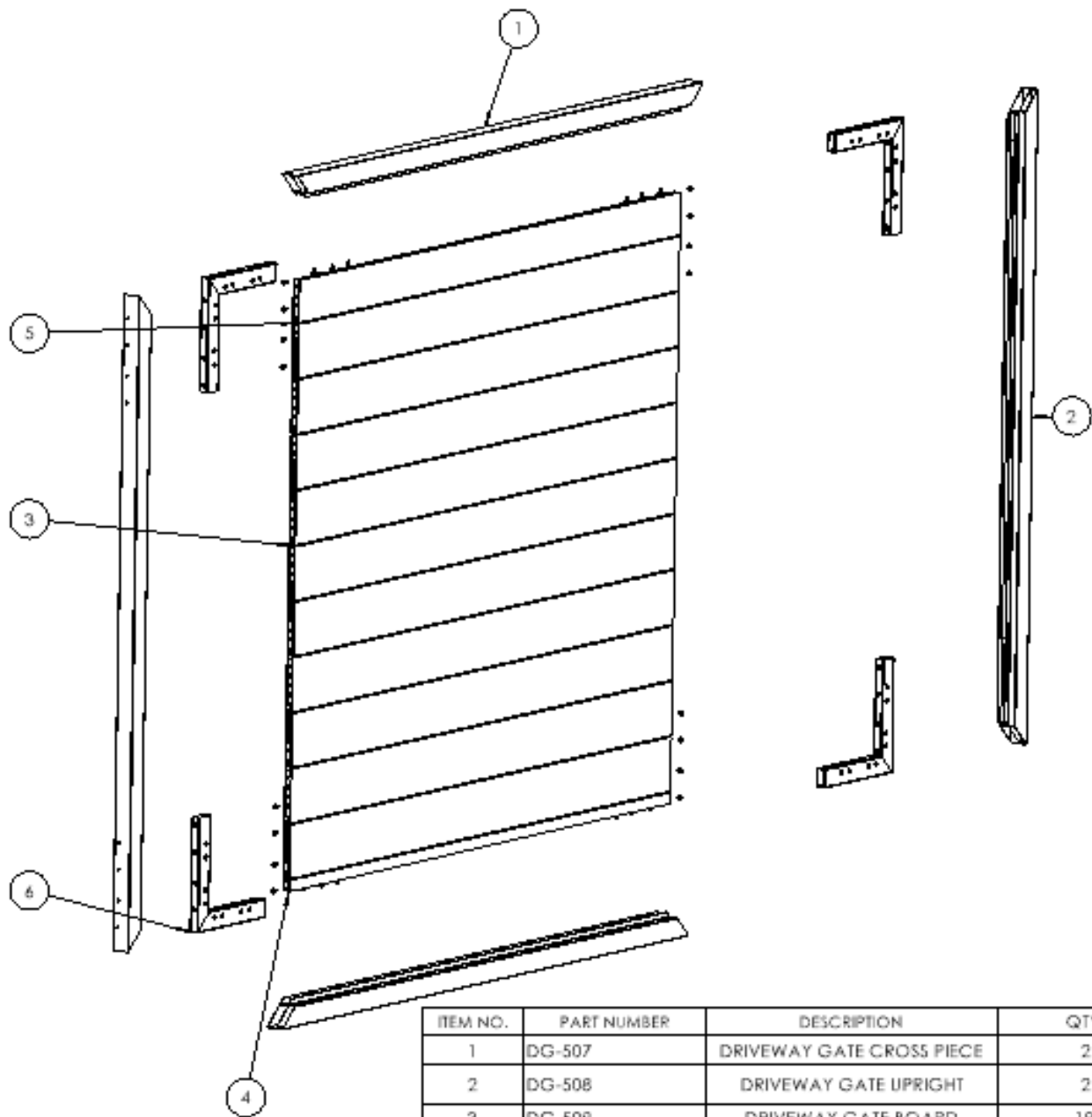
1. After establishing where the gates are to be fitted dig 2 holes 300 x 300 x 700 deep x 3740 centers.



2. Concrete the posts into position at 3740 centers ensuring that the posts are square and true. Make sure that the slots for the hinges are on the insides of the posts bearing in mind that the doors will open inwards. The posts should be 1803mm high above the ground.

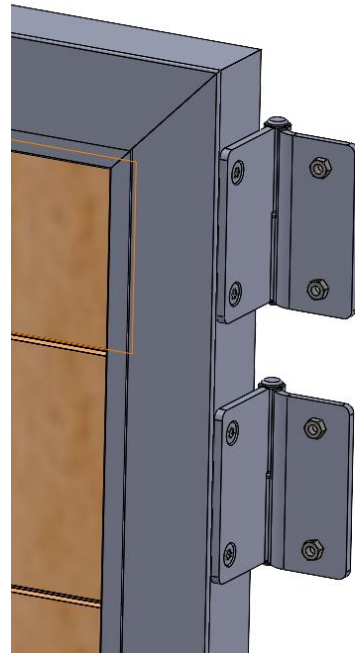
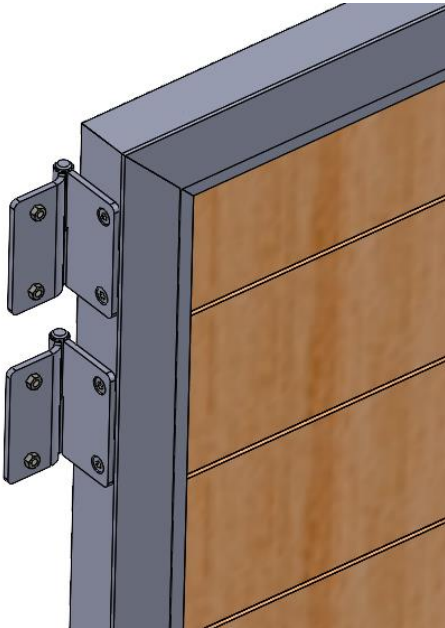


3. Assemble the gates as shown below

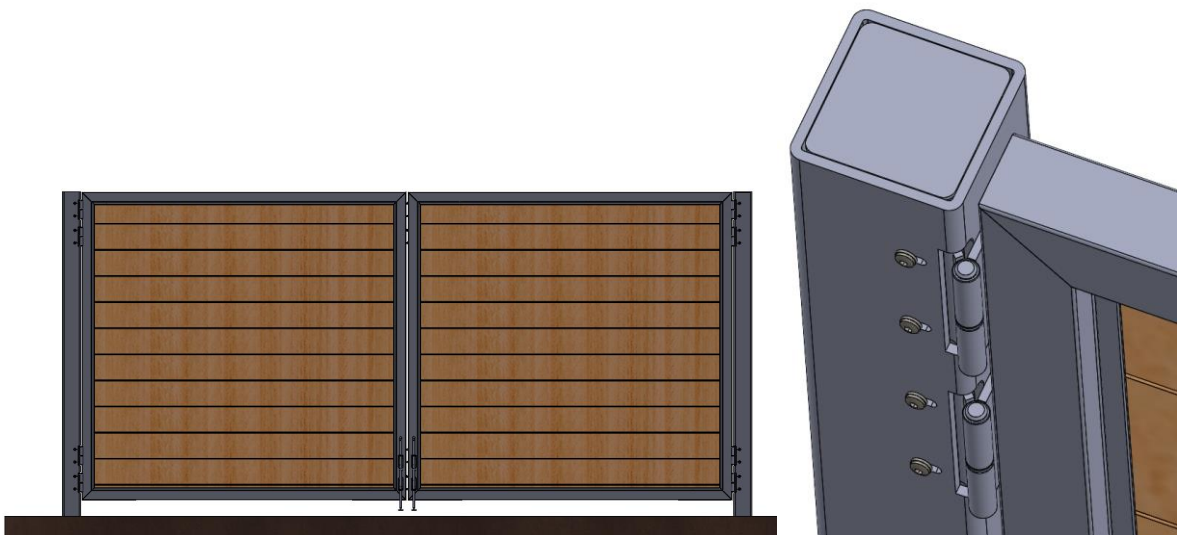


ITEM NO.	PART NUMBER	DESCRIPTION	QTY.
1	DG-507	DRIVEWAY GATE CROSS PIECE	2
2	DG-508	DRIVEWAY GATE UPRIGHT	2
3	DG-509	DRIVEWAY GATE BOARD	19
4	DG-510	DRIVEWAY GATE BOTTOM BOARD	1
5	DG-511	DRIVEWAY GATE TOP BOARD	1
6	DG-512	ANGLE BRACKET	4
7	18815	M6 X 15 BUTTON HEAD	28

4. Assemble the 8 hinges as shown in the gates

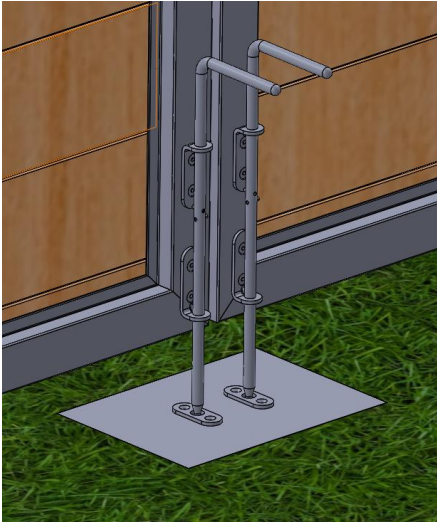


5. Pack under the gates 90mm to help assemble the gates into the posts as shown.

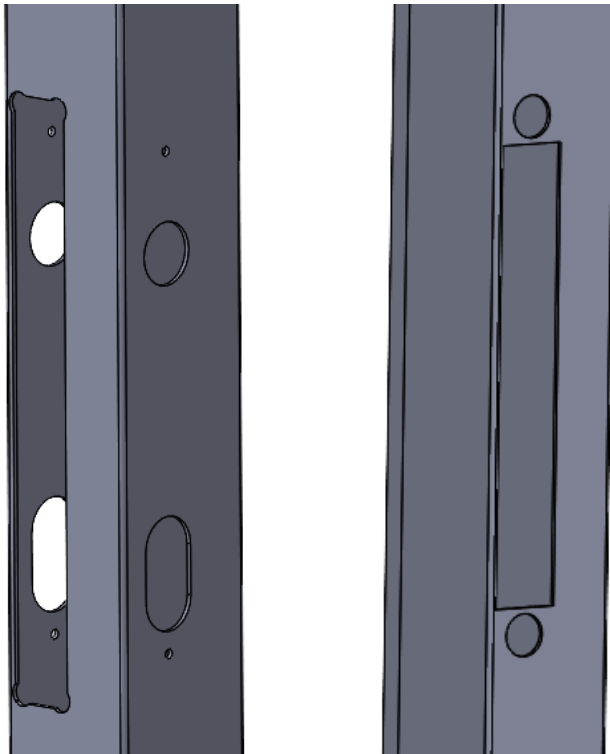


6. Adjust the hinges in the slots so that there is a gap of 13-20mm between the 2 gates.

7. Fit the ground bolts as shown and when the final position is known make a suitable concrete block for fitting the receivers for the ground bolts, fitting them with suitable fixings.



8. If the cutouts are not in the uprights, then follow the instructions supplied with the lock for correct fitment.



Issue 2 March 22 Post centers updated were 3734 and altered to 3740 following the first installations