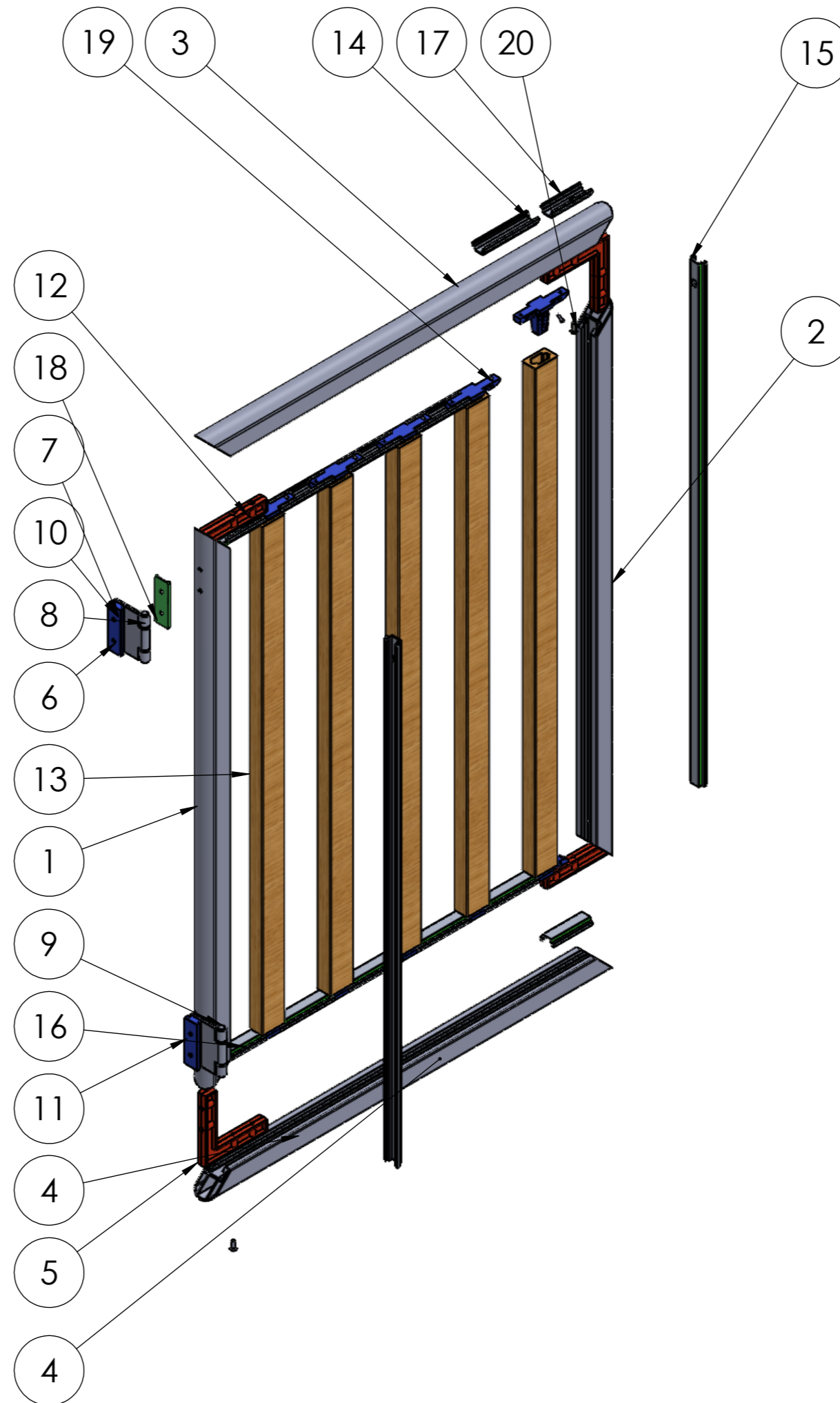
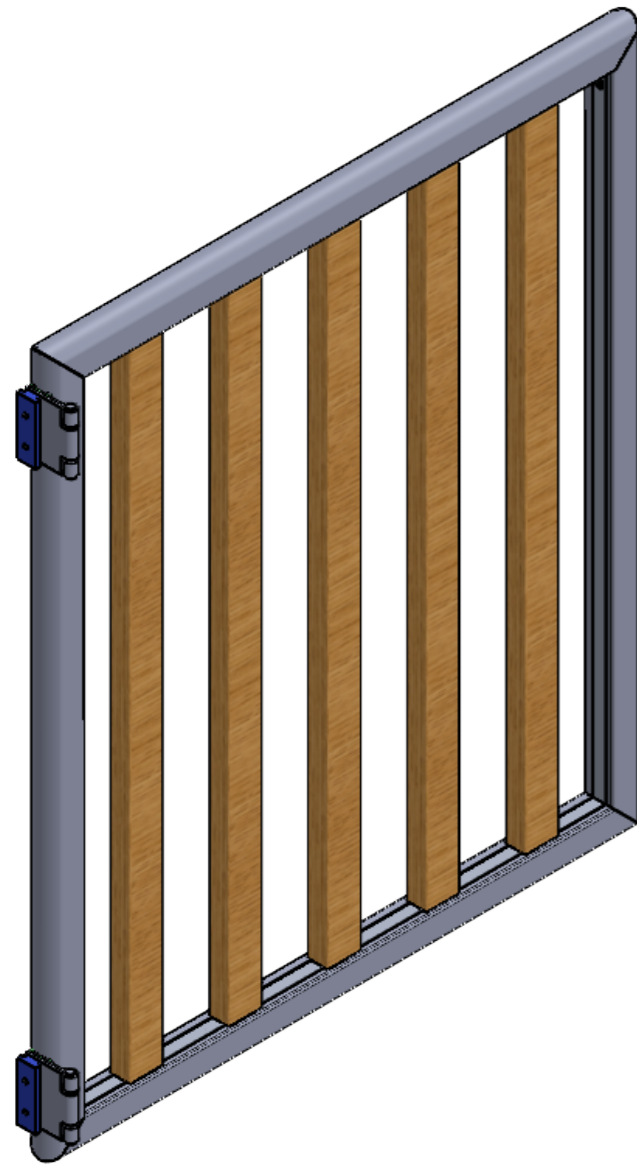


Balustrade Gate Assembly

Instructions

Before starting it would be useful to read the instructions familiarising yourself with the components. It is best to assemble the gate on a flat clean surface that will not mark the paint work.



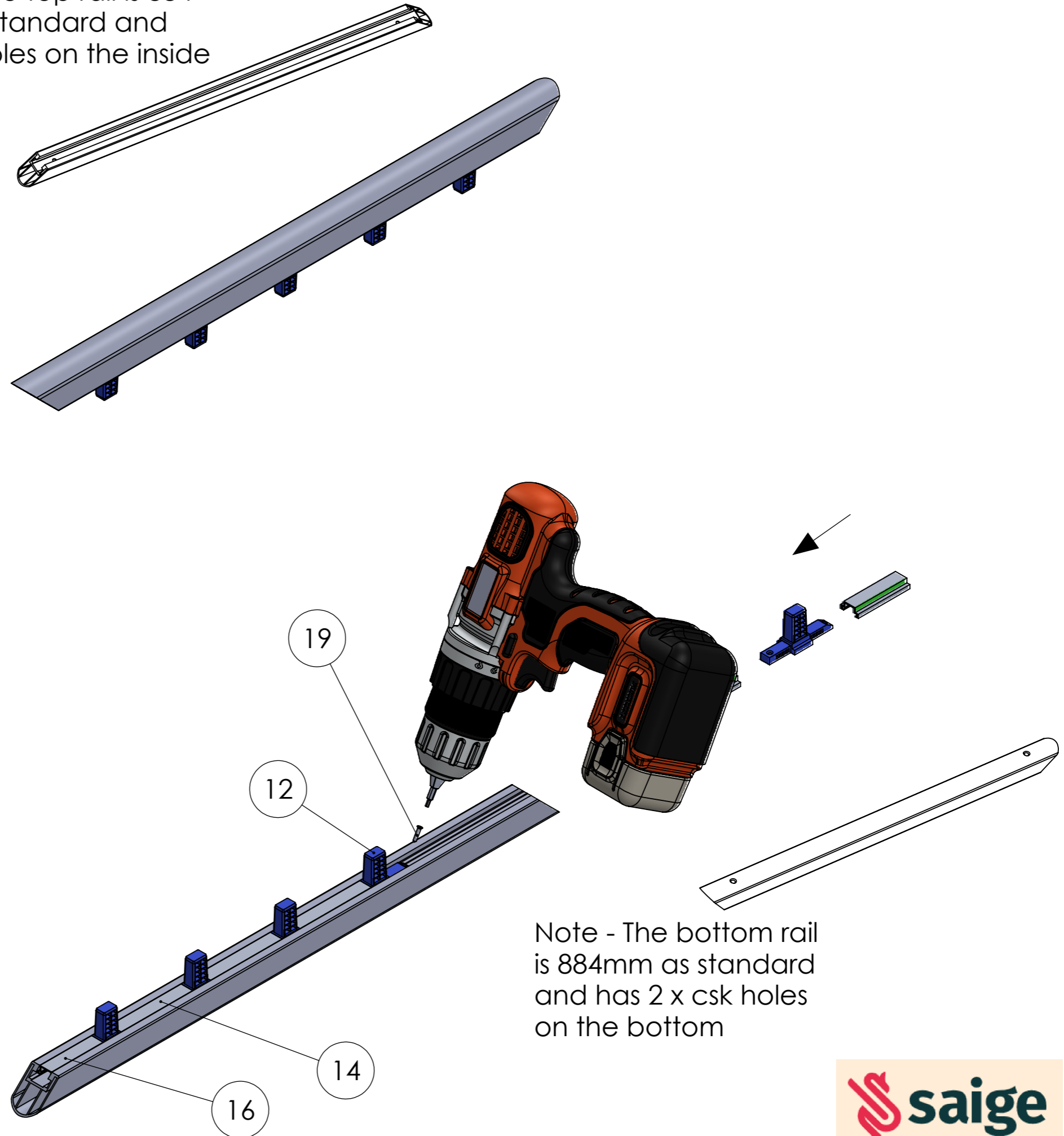
ITEM NO.	PART NUMBER	DESCRIPTION	QTY.
1	BG-0561HS	GATE UPRIGHT HINGE SIDE	1
2	BG-0561LS	GATE UPRIGHT LATCH SIDE	1
3	BRR-0502TRG	TOP RAIL FOR GATE	1
4	BRR-0502GBR	BOTTOM RAIL FOR GATE	1
5	BG-0564	ANGLE BRACKET	4
6	HL5-0503	HINGE LEAF 1	2
7	HL5-0502	HINGE LEAF 2	2
8	HS5-0504	HINGE SPACER	4
9	HP5-0504	HINGE PIN	2
10	M6 X 16 CSK SKT SKT	M6 X 16 CSK SKT SCREW	10
11	TB5-0501	T BRACKET	2
12	BTB5-0503	T BRACKET 90	10
13	BUR5-0502	BALUSTRADE UPRIGHT 955	5
14	IN5-118.5	INSERT -118.5	8
15	IN5-982WH	INSERT 982 WITH HOLE	2
16	IN5-85.5	INSERT 85.5MM	2
17	IN5-85.5WH	INSERT 85.5 WITH HOLE	2
18	BG-0560	RADIUS SPACER	2
19	SDS-M4X20	M4 X 20 SELF DRILLING SCREW	10
20	M6X16BH	M6 X 16 BUTTON HEAD	4

Note, The top rail is 884 mm as standard and has 2 holes on the inside

Step 1 Assemble the top and bottom rails

Identify the relevant components and assemble from one end, fixing each T Bracket in turn with the M4 x 20 self drilling screws provided. Remember to add the insert sections as you go.

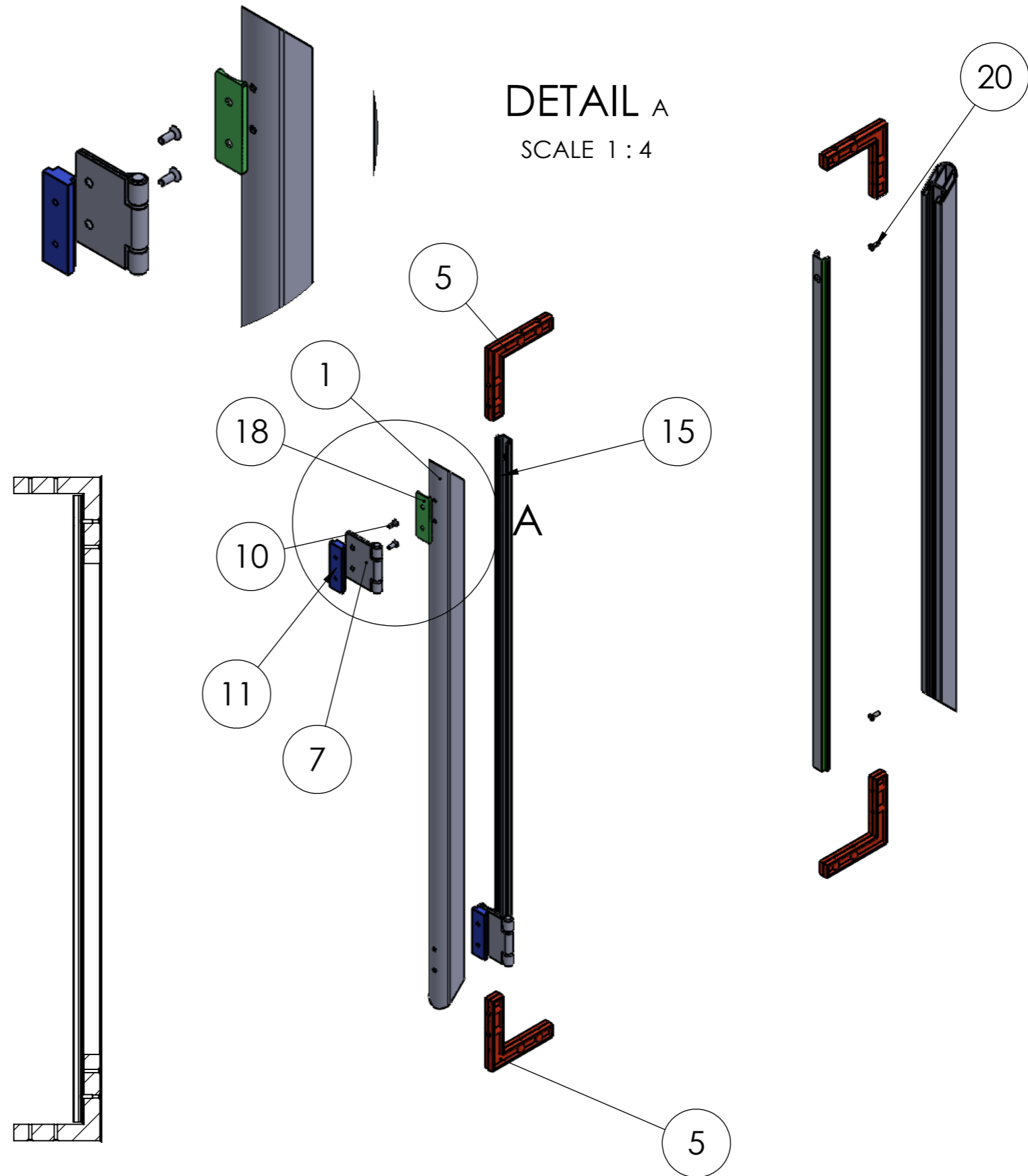
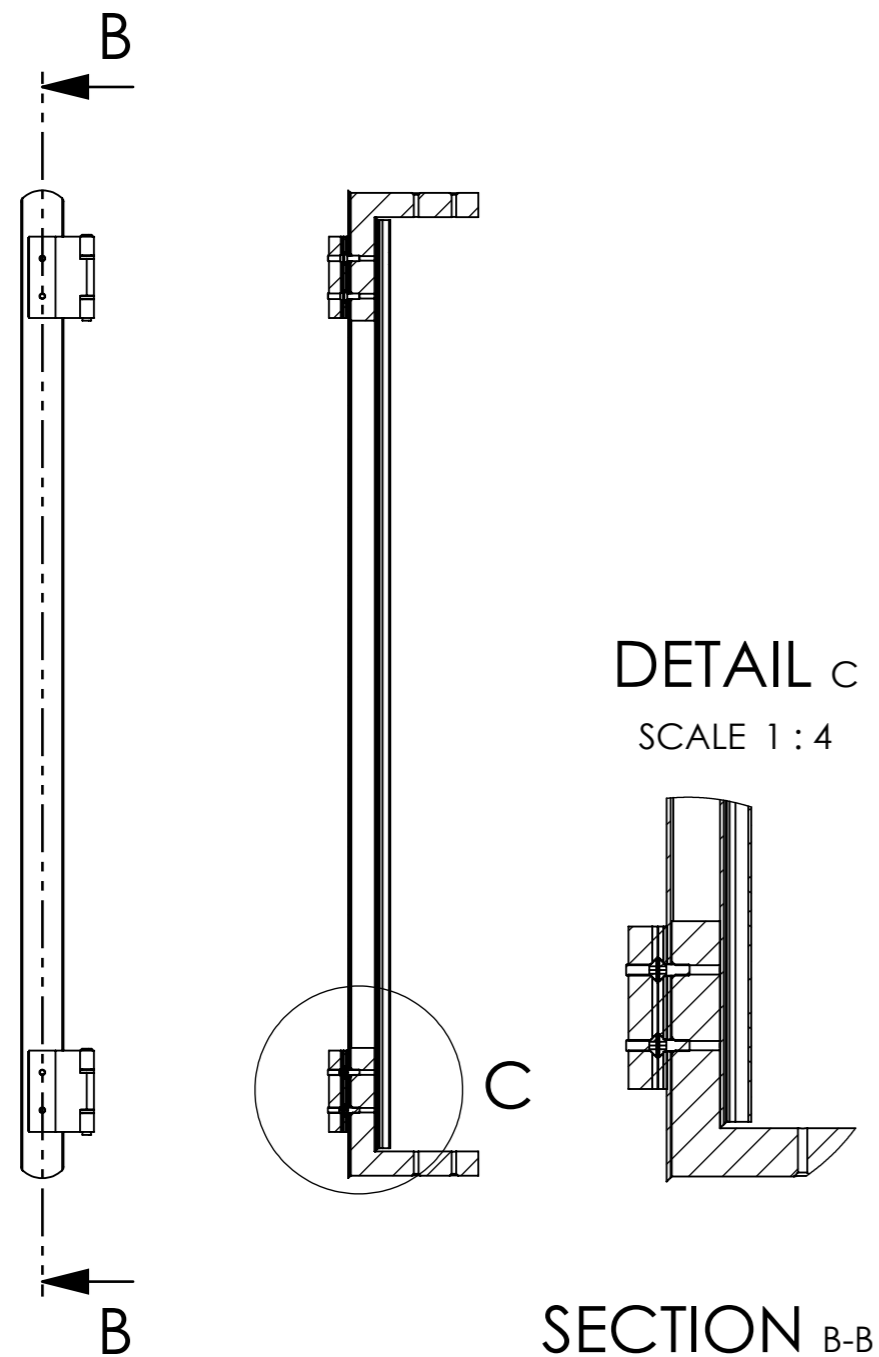
If the rails are to be cut down to a bespoke size ensure that the gap between the rails is less than 100mm.



Note - The bottom rail is 884mm as standard and has 2 x csk holes on the bottom

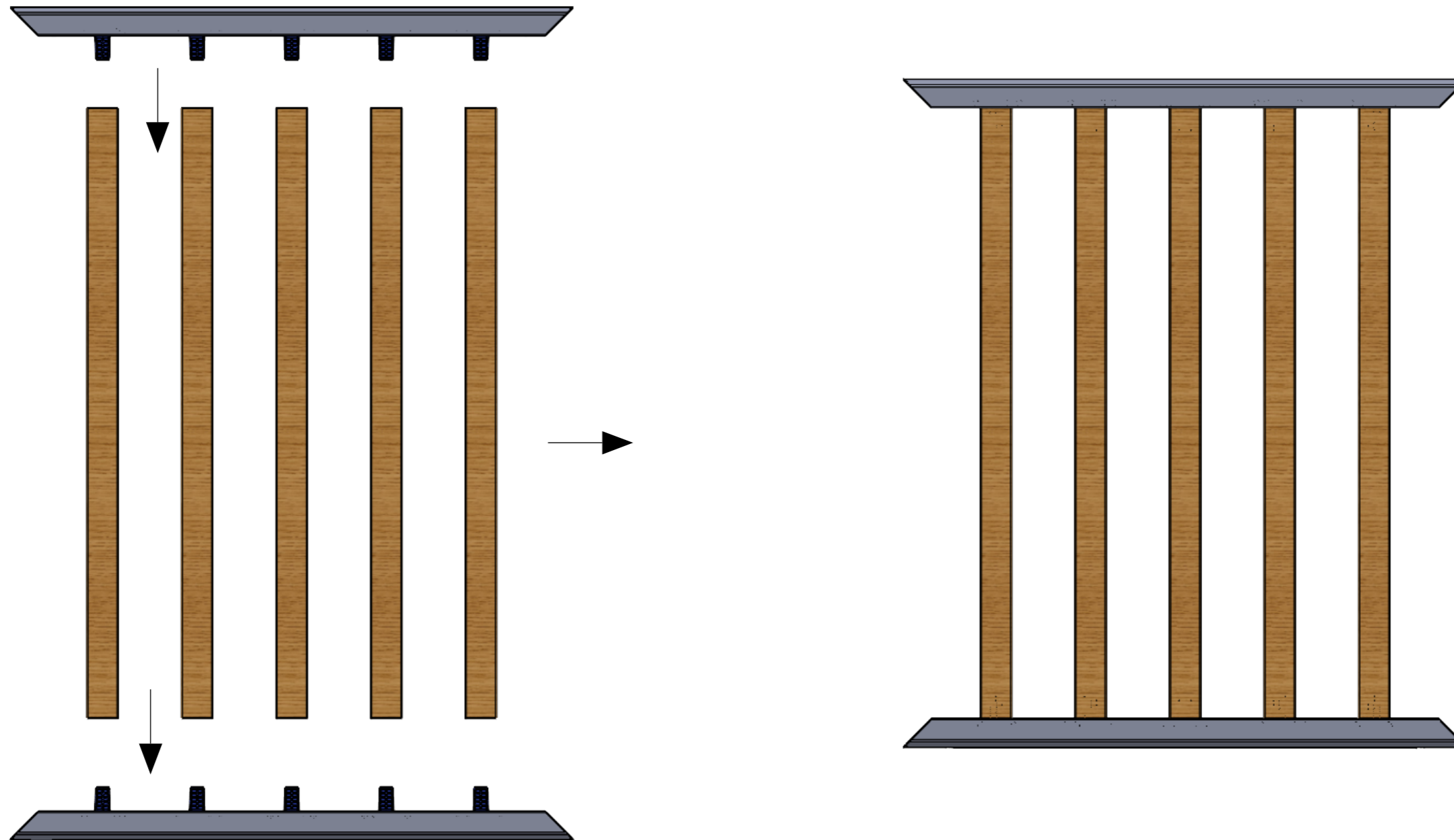
Step 2 - Assembling the side rails

Note that the screws that fix the hinge to the side rails fix into the angle brackets (5).
Ensure that the inserts (15) are slid into the T slot before the angle brackets are fitted.



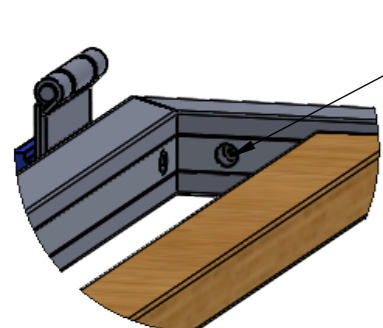
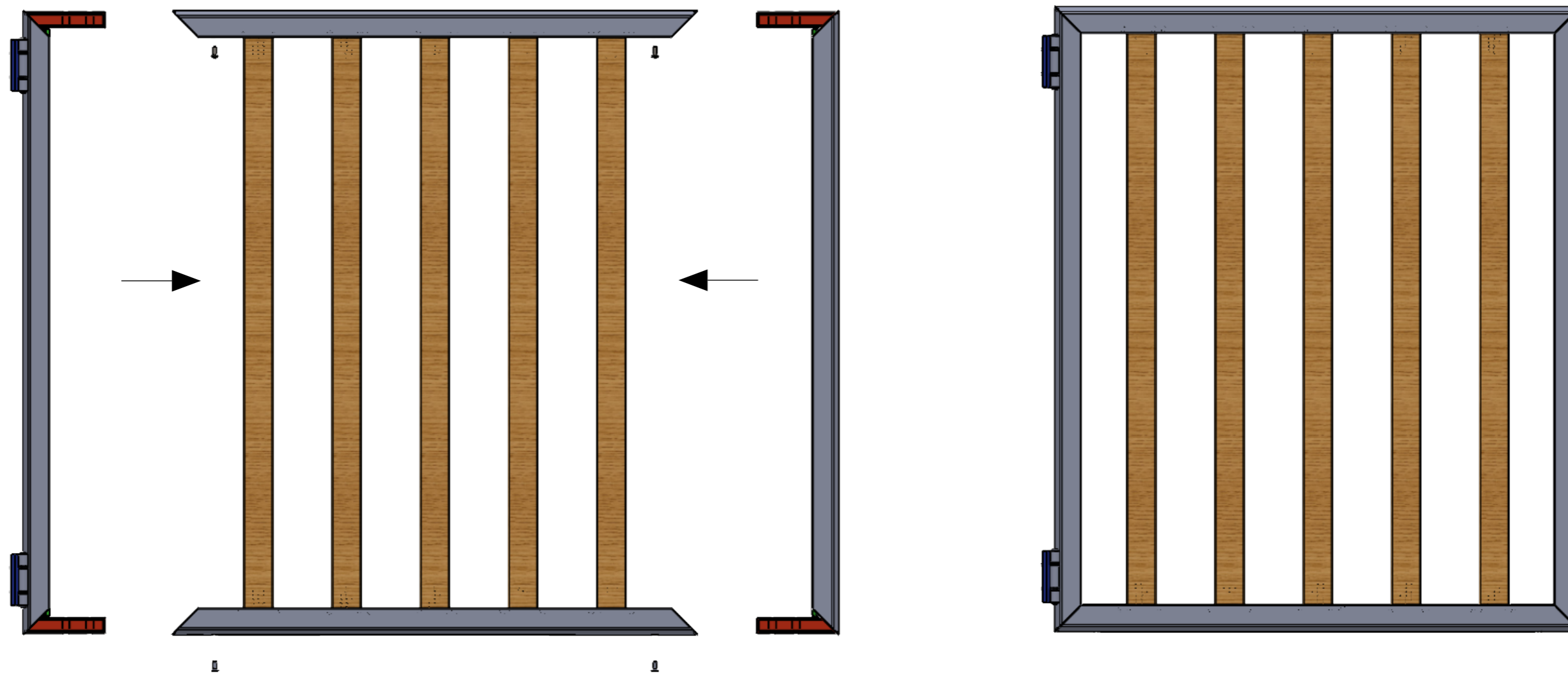
Step 3 assemble the spindles

Push the balustrade uprights onto the bottom rail sub assembly and then the top rail sub assembly onto the top of the spindles

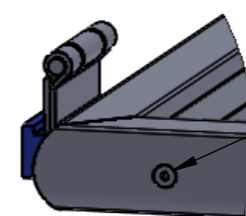


Step 4 - Final Assembly

Now push the side rails onto the top and bottom rail assemblies. These should be locked in place by the M6 x 16 button head screws at the top (the screws fit through mating holes in the inserts). The last thing to fit are the 2 x M6 x 16 button head screws into the bottom rail.



View showing the M6 x 16 button head screws fixing into the top rail



View showing the M6 CSK screws fixing into the bottom rail

FINISHED

