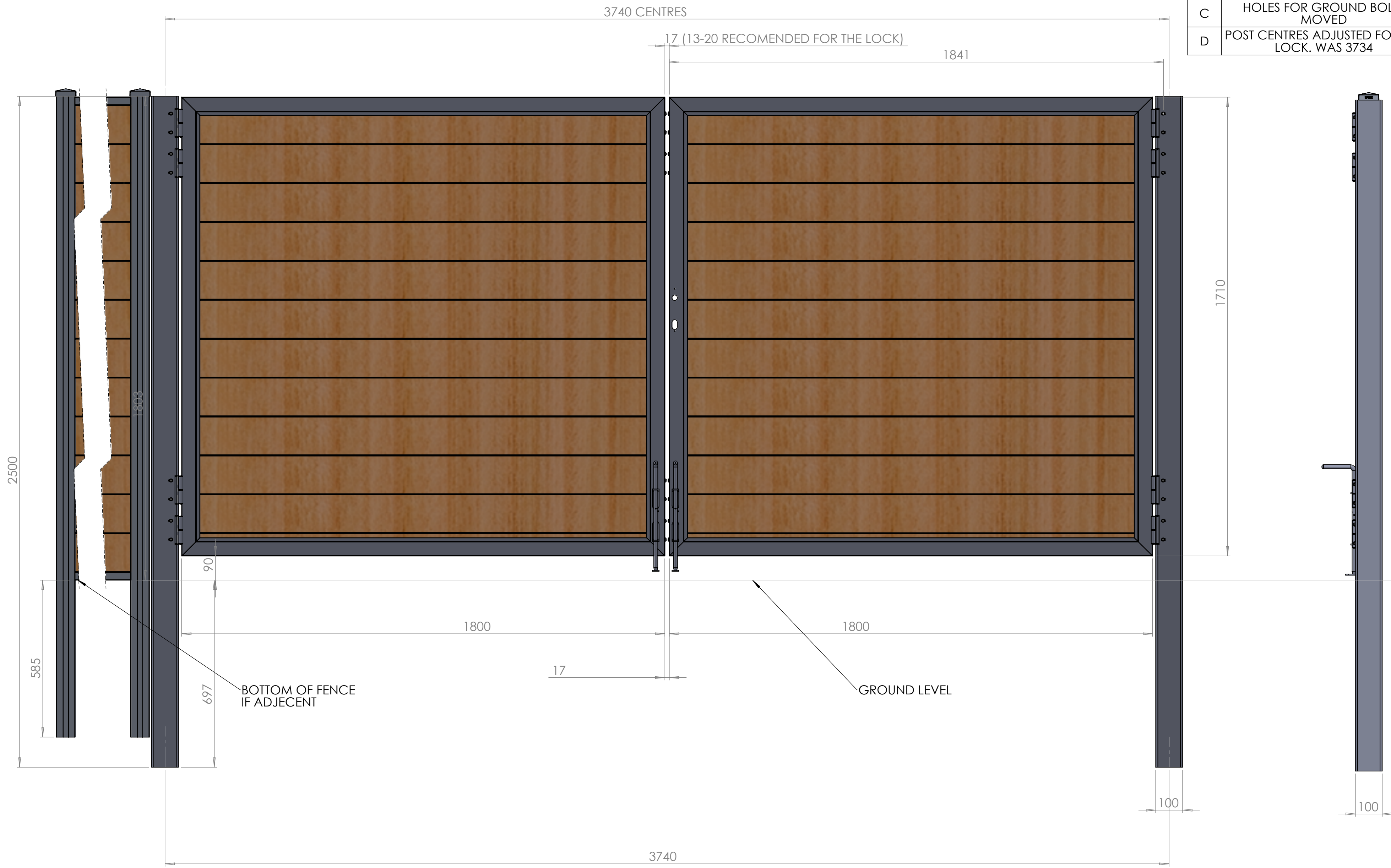


| REV. | DESCRIPTION | DATE |
|------|--|------------|
| B | UPDATED TO SHOW LARGER SECTION | 04/08/2021 |
| C | HOLES FOR GROUND BOLTS MOVED | 09/03/2022 |
| D | POST CENTRES ADJUSTED FOR THE LOCK. WAS 3734 | 28/11/2022 |



UNLESS OTHERWISE SPECIFIED:
 DIMENSIONS ARE IN MILLIMETERS
 SURFACE FINISH:
 TOLERANCES:
 LINEAR: ±0.5
 ANGULAR: ±0.5°

FINISH: SEE COMPONENTS

DEBURR AND BREAK SHARP EDGES

DO NOT SCALE DRAWING

REVISION D

SAIGE

TITLE:
DRIVEWAY GATE SET

DWG NO.
DG-101

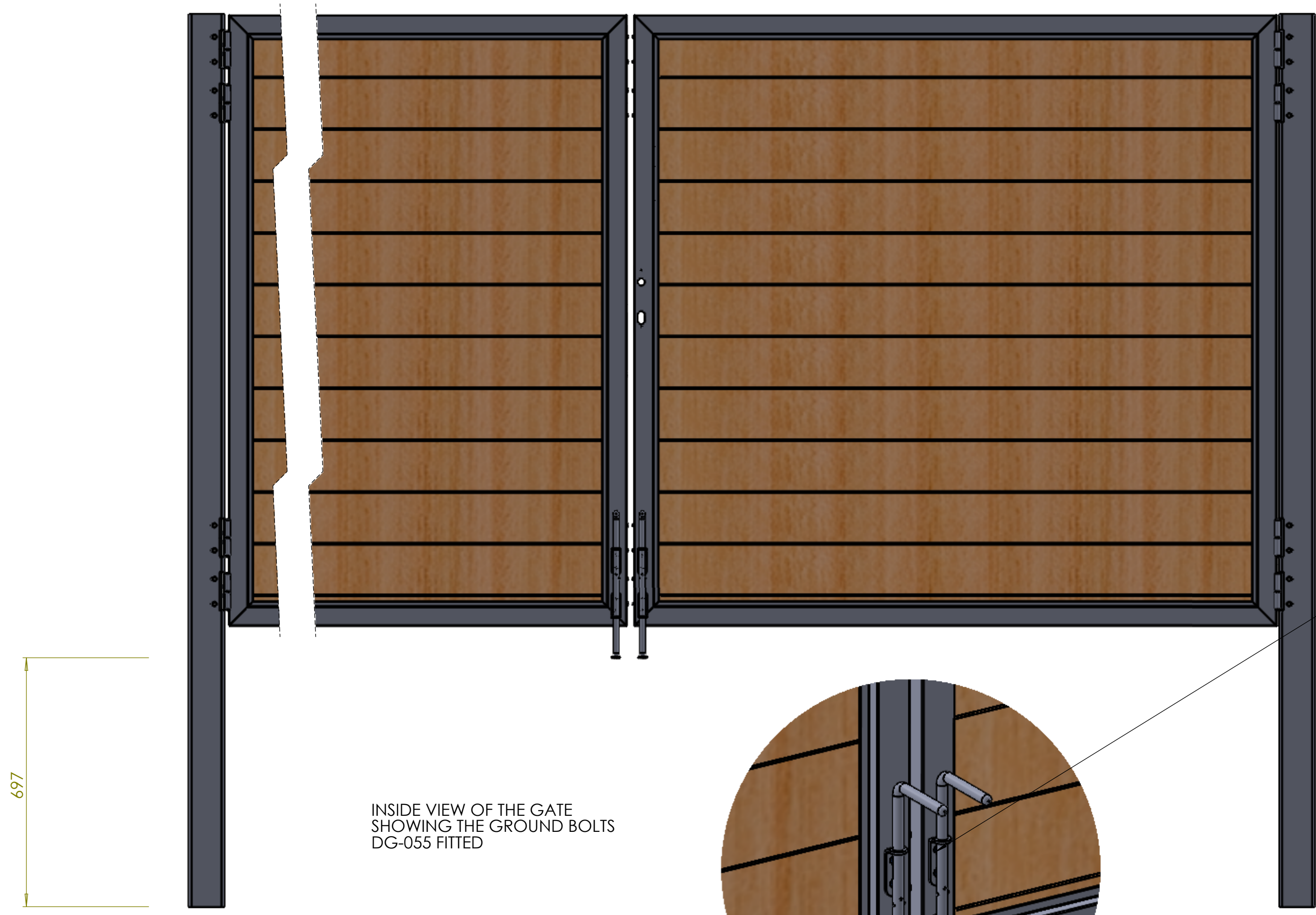
A2

MATERIAL:
 SEE COMPONENTS

SCALE: 1:10

SHEET 1 OF 4

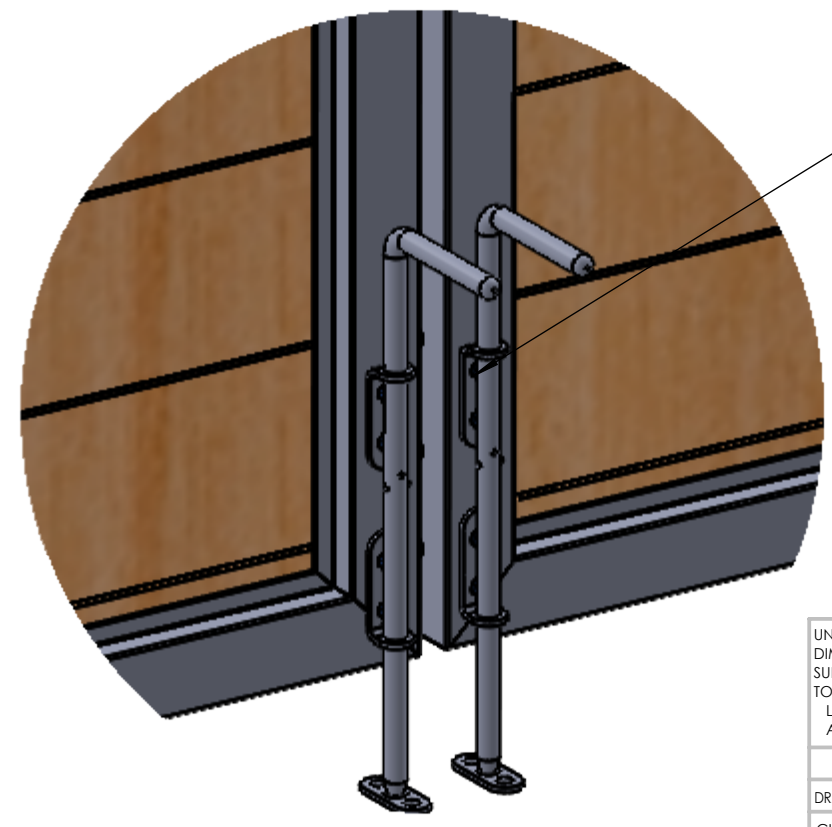
| NAME | SIGNATURE | DATE |
|--------------------|-----------|--------|
| DRAWN: M. Wallcott | | 7/5/21 |
| CHK'D: | | |
| APPV'D: | | |
| MFG: | | |
| Q.A: | | |



697

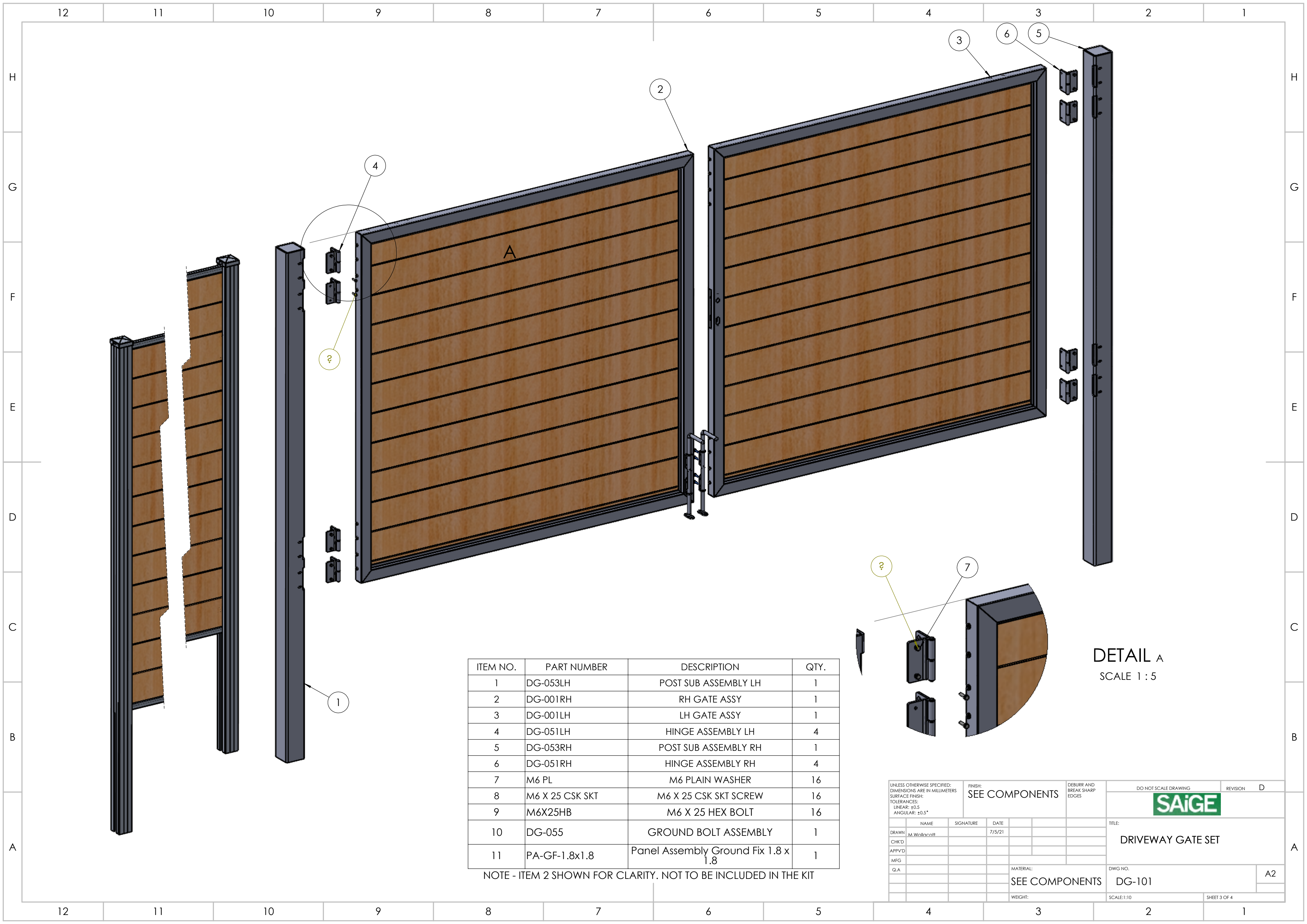
INSIDE VIEW OF THE GATE
SHOWING THE GROUND BOLTS
DG-055 FITTED

HOLES WILL NEED DRILLING THROUGH
FOR THE GROUND FIX BOLTS



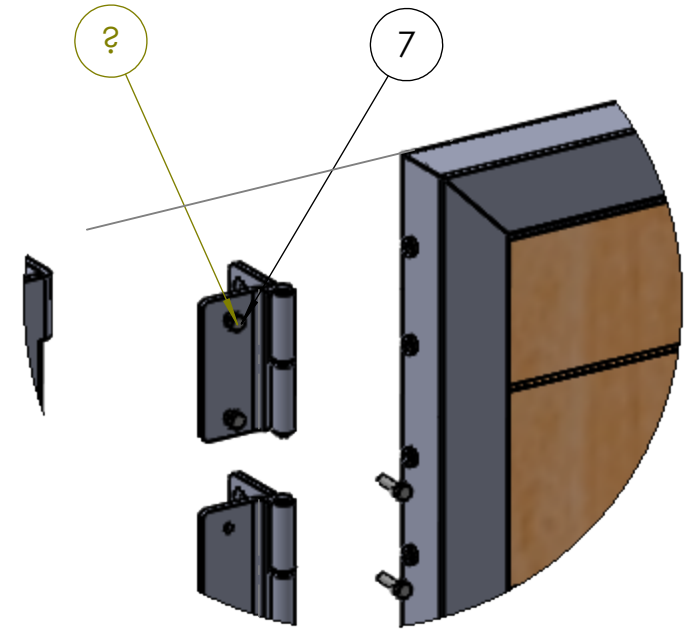
DETAIL C
SCALE 1:5

| | | | | | | | | | |
|--|-------------|---------------------------|--|------------------------------------|--------|----------------------|--|-------------------|--|
| UNLESS OTHERWISE SPECIFIED: DIMENSIONS ARE IN MILLIMETERS | | FINISH: SEE COMPONENTS | | DEBURR AND BREAK SHARP EDGES | | DO NOT SCALE DRAWING | | REVISION D | |
| SURFACE FINISH: | | | | | | SAIGE | | TITLE: | |
| TOLERANCES: | | | | | | | | DRIVEWAY GATE SET | |
| LINEAR: ±0.5 | | | | | | DWG. NO. | | A2 | |
| ANGULAR: ±0.5° | | | | | | SCALE: 1:10 | | SHEET 2 OF 4 | |
| DRAWN | M. Wallcott | SIGNATURE | | DATE | 7/5/21 | MATERIAL: | | SEE COMPONENTS | |
| CHK'D | | | | | | WEIGHT: | | | |
| APP'VD | | | | | | | | | |
| MFG | | | | | | | | | |
| Q.A. | | | | | | | | | |



| ITEM NO. | PART NUMBER | DESCRIPTION | QTY. |
|----------|-----------------|-------------------------------------|------|
| 1 | DG-053LH | POST SUB ASSEMBLY LH | 1 |
| 2 | DG-001RH | RH GATE ASSY | 1 |
| 3 | DG-001LH | LH GATE ASSY | 1 |
| 4 | DG-051LH | HINGE ASSEMBLY LH | 4 |
| 5 | DG-053RH | POST SUB ASSEMBLY RH | 1 |
| 6 | DG-051RH | HINGE ASSEMBLY RH | 4 |
| 7 | M6 PL | M6 PLAIN WASHER | 16 |
| 8 | M6 X 25 CSK SKT | M6 X 25 CSK SKT SCREW | 16 |
| 9 | M6X25HB | M6 X 25 HEX BOLT | 16 |
| 10 | DG-055 | GROUND BOLT ASSEMBLY | 1 |
| 11 | PA-GF-1.8x1.8 | Panel Assembly Ground Fix 1.8 x 1.8 | 1 |

NOTE - ITEM 2 SHOWN FOR CLARITY. NOT TO BE INCLUDED IN THE KIT



DETAIL A
SCALE 1 : 5

| | | | | | | | | | |
|--|--|-----------------------------|--|------------------------------------|--|-----------------------------|--|--------------|--|
| UNLESS OTHERWISE SPECIFIED: DIMENSIONS ARE IN MILLIMETERS SURFACE FINISH: TOLERANCES: LINEAR: ±0.5 ANGULAR: ±0.5° | | FINISH: SEE COMPONENTS | | DEBURR AND BREAK SHARP EDGES | | DO NOT SCALE DRAWING | | REVISION D | |
| DRAWN M.Wallcott | | SIGNATURE | | DATE 7/5/21 | | TITLE: DRIVEWAY GATE SET | | | |
| CHK'D | | MATERIAL: SEE COMPONENTS | | DWG NO. DG-101 | | SCALE:1:10 | | SHEET 3 OF 4 | |
| APP'VD | | WEIGHT: | | A2 | | | | | |
| MFG | | | | | | | | | |
| Q.A. | | | | | | | | | |

12

11

10

9

8

7

6

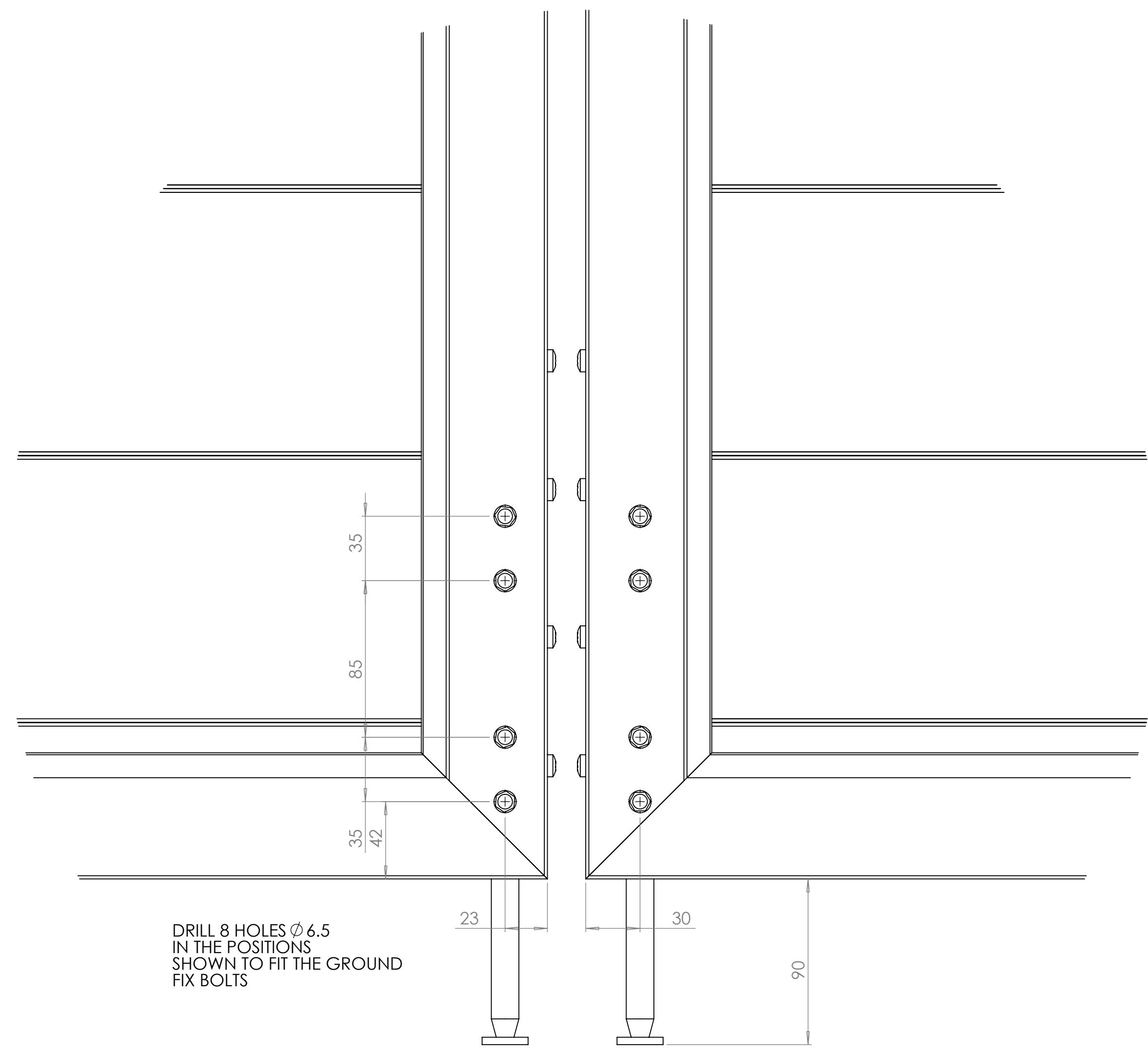
5

4


3

2

1



DETAIL E
SCALE 1 : 2

| | | | | | | | | | | | | |
|--|--|--|---------------------------|--|--|------------------------------------|--|--|---|--|----------------|--------|
| UNLESS OTHERWISE SPECIFIED: DIMENSIONS ARE IN MILLIMETERS | | | FINISH: SEE COMPONENTS | | | DEBURR AND BREAK SHARP EDGES | | | DO NOT SCALE DRAWING | | REVISION | D |
| SURFACE FINISH: | | | | | | | | |  | | | |
| TOLERANCES: | | | | | | | | | | | | TITLE: |
| LINEAR: ± 0.5 | | | | | | | | | DRAWN | | M. Wallcott | |
| ANGULAR: $\pm 0.5^\circ$ | | | | | | | | | CHK'D | | | |
| | | | | | | | | | APPV'D | | | |
| | | | | | | | | | MFG | | | |
| | | | | | | | | | Q.A | | | |
| | | | | | | | | | MATERIAL: | | SEE COMPONENTS | |
| | | | | | | | | | DWG. NO. | | DG-101 | |
| | | | | | | | | | WEIGHT: | | SCALE: 1:10 | |
| | | | | | | | | | | | SHEET 4 OF 4 | |

12

11

10

9

8

7

6

5

4

3

2

1