

MINIRAY 300

40W 3" OUTDOOR LOUDSPEAKER

USER MANUAL



TABLE OF CONTENT

INDEX	PAGE NO.
INTRODUCTION	3
PRODUCT OVERVIEW	4
AUDIO CONNECTIONS	4
MOUNTING	5, 6
DRIP LOOP	7
PRODUCT SPECIFICATIONS	7
INCLUDED ITEMS	7

INTRODUCTION

Thank You For Purchasing A KT Product

KT Speakers features an outstanding combination of performance and value in each of our products. To ensure you get the most out of your new loudspeakers please take a moment to read this manual before you get started.

You can get a digital copy of this manual online. simply visit our site at www.ktwaves.com

A Few Words About Your New Outdoor Speakers

KT Outdoor loudspeakers are designed to accurately reproduce high fidelity music in an outdoor environment. Ideally designed for background music and buisness place intergration.

High freuency response as required for outdoor scenerios with great bass response
KT Outdoor Loudspeakers are IP66 waterproofed and are built to withstand the most rigorous weather and climate conditions.

Every exposed bolt is made of stainless steel and the aluminum grill is powder-coated to ensure endurance and fuctionality. The cabinet is made of a high-impact ABS polymer painted with UV protection industrial quality paint.

The primary components include a polypropylene driver with a butyl rubber surround and a Titanium dome tweeter that hold up under extreme temperature fluctuations.



PRODUCT OVERVIEW



AUDIO CONNECTIONS

Figure 1.

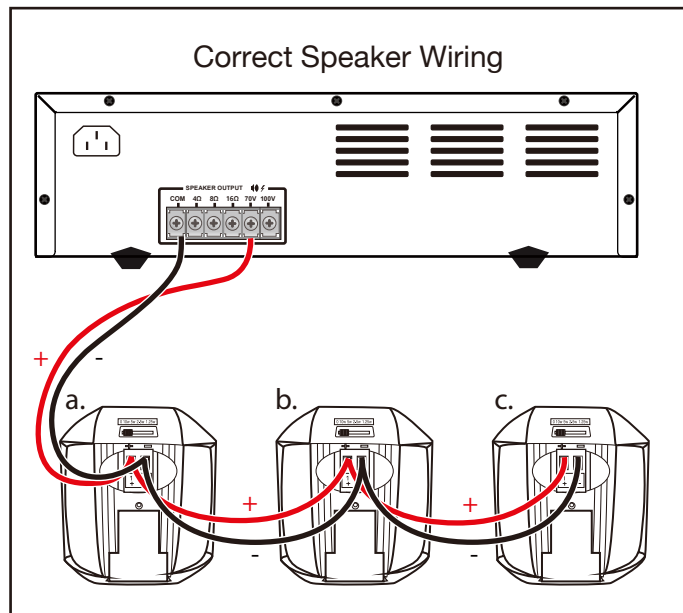
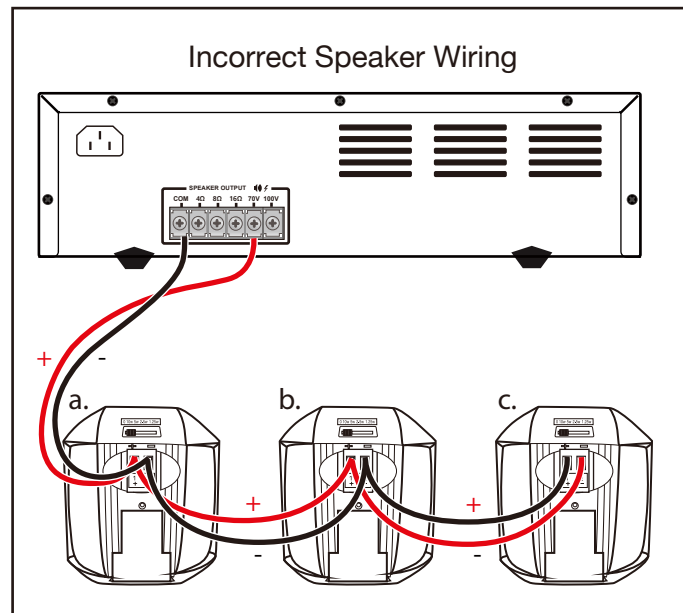


Figure 2.



Be careful not to cross wires when installing your speakers. Wiring should always be negative to negative and positive to positive.

(Figure 2. shows speaker c. incorrectly wired)

MOUNTING THE SPEAKERS



Installation of your KT outdoor speakers is designed to be simple and intuitive, it is largely advised to consult a professional installer. Make sure the materials on which you plan to mount the speakers can support the weight of the speakers.

Hardware is provided for attaching the brackets directly to a solid wood beam and also to sturdy drywall that is atleast 5/8" thick. Never attach the speakers to a wall that might contain electrical wiring or plumbing.

IF YOU ARE UNSURE ABOUT ANY OF THESE INSTRUCTIONS, PLEASE CONTACT A PROFESSIONAL CUSTOM AUDIO INSTALLER.

Although KT outdoor speakers are water proof and can be placed directly in the elements, mounting the speakers in such away that they will not absorb rain or sun directly will improve the speaker's longevity. Placing the speaker in a corner will also help improve bass performance.

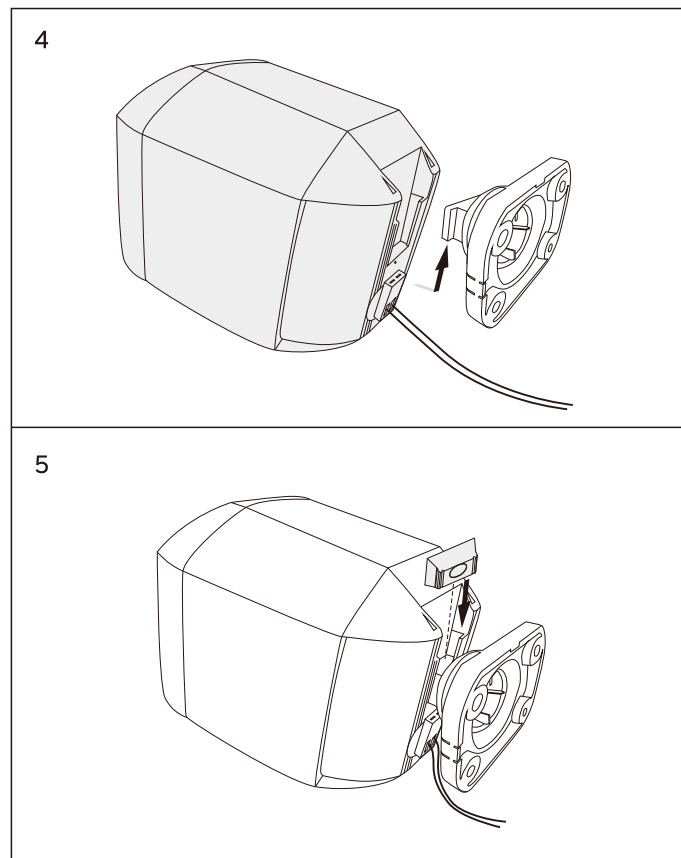
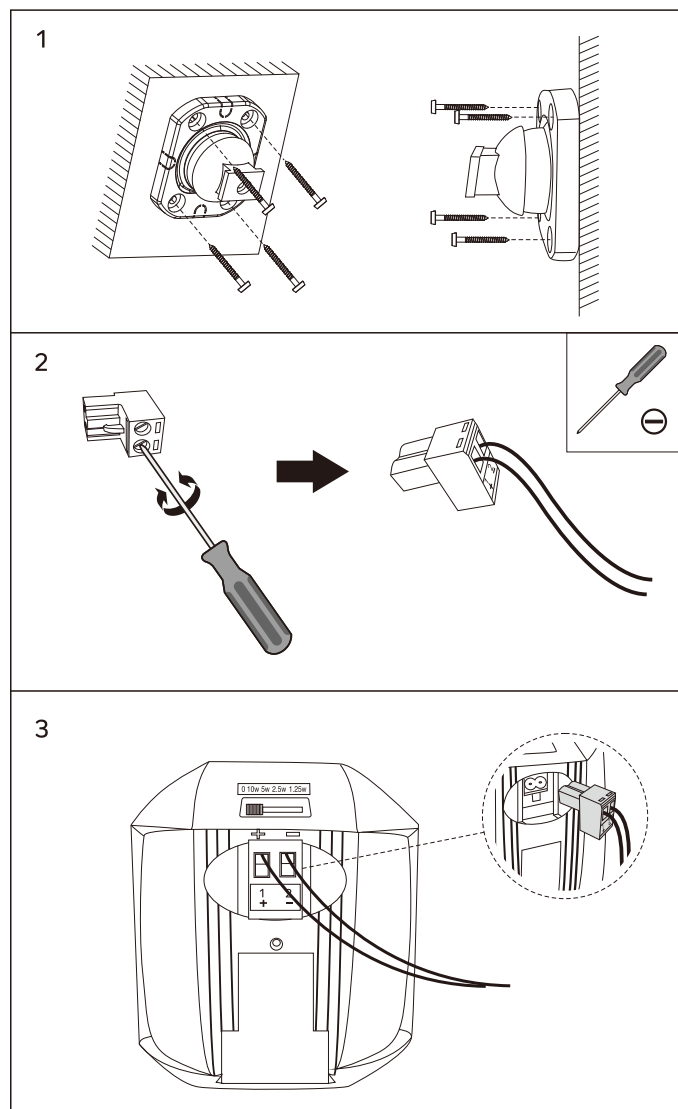
Always mount the speakers so that they are aimed slightly downward in order to not collect rain water. Also, make sure to follow the "drip loop" instructions/example diagram (top of page 7).

KT outdoor speakers can be mounted vertically or horizontally and then aimed as needed to deliver the best sound performance for your area. In most cases, you will achieve the best stereo sound and imaging if you mount both speakers along the same wall between 3-6 meters apart.

INSTALLATION

Installation

- 1 Fix the bracket to the wall.
- 2 Connect the speaker wire.
- 3 Attach phoenix connector to the speaker.
- 4 Attach the speaker to the bracket.
- 5 Attach the rubber stopper.



Underpower VS. Overpower

- 1 Most speaker damage is caused by amplifiers with too little power (wattage).
- 2 An overdriven amplifier clips the waveforms and leads to speaker distortion.
- 3 Clipping is usually audible and it may vary from a harsh sound to a fuzzy or unclear sound.
- 4 If you hear the clipping at high volume levels, turn down the volume until the distortion is gone.
- 5 Damage caused by operating the speakers at distorted volume levels is not covered by the warranty.

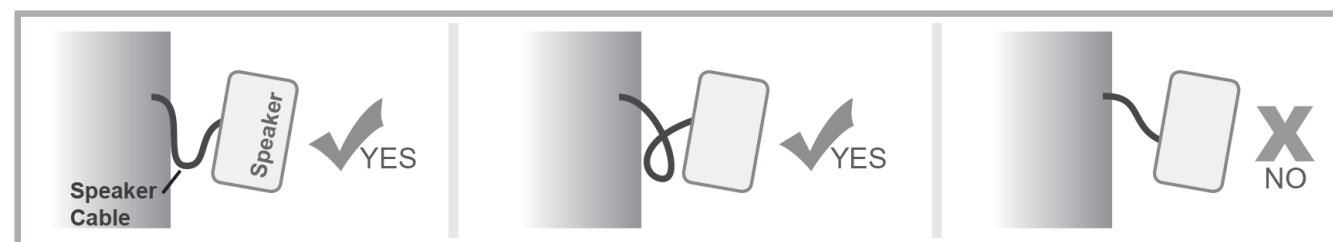
Volume Control

- 1 The volume is controlled by your active speaker.

PROTECTING YOUR OUTDOOR SPEAKER WITH A “DRIP LOOP”

HTD recommends using a “drip loop” when installing your speaker cable to help minimize the direct flow of water onto the speaker. This will assist in reducing any potential long-term oxidation or water penetration issues by providing a low point for water to escape prior to reaching the speaker.

The below examples illustrate how (and how not) to utilize a drip loop.



PRODUCT SPECIFICATIONS

Speaker Design	Indoor - Outdoor
Power Handling RMS	40W
Impadence Ω	16 Ohms
Frequency Range+/-3	20KHz \pm 3dB
Tweeter	3" Paper cone, Foam gasket
Connector Type	Standard rotary connector
Color	Black
IP Rating	IPX54

INCLUDED ITEMS

BRACKET
USER MANUAL