



# INTREPID 800

120W 8" OUTDOOR LOUDSPEAKERS

USER MANUAL



## TABLE OF CONTENT

INDEX	PAGE NO.
INTRODUCTION	3
PRODUCT OVERVIEW	4
AUDIO CONNECTIONS	4
MOUNTING	5-6
DRIP LOOP	7
PRODUCT SPECIFICATIONS	7
INCLUDED ITEMS	7

## INTRODUCTION

### Thank You For Purchasing A KT Product

KT Speakers features an outstanding combination of performance and value in each of our products. To ensure you get the most out of your new loudspeakers please take a moment to read this manual before you get started.

You can get a digital copy of this manual online. simply visit our site at [www.ktwaves.com](http://www.ktwaves.com)

### A Few Words About Your New Outdoor Speakers

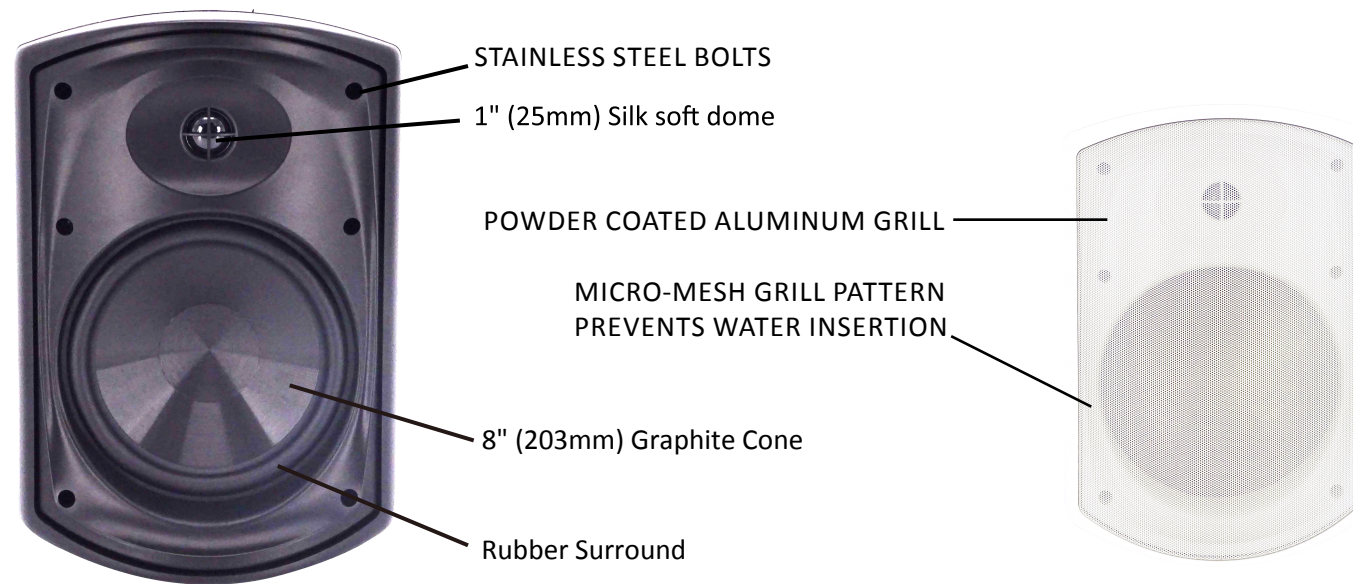
KT Outdoor loudspeakers are designed to accurately reproduce high fidelity music in an outdoor environment. Ideally designed for background music and buisness place intergration.

High freuency response as required for outdoor scenerios with great bass response  
KT Outdoor Loudspeakers are IP65 waterproofed and are built to withstand the most rigorous weather and climate conditions.

Every exposed bolt is made of stainless steel and the aluminum grill is powder-coated to ensure endurance and fuctionality. The cabinet is made of a high-impact ABS polymer painted with UV protection industrial quality paint.

The primary components include a polypropylene driver with a butyl rubber surround and a Titanium dome tweeter that hold up under extreme temperature fluctuations.

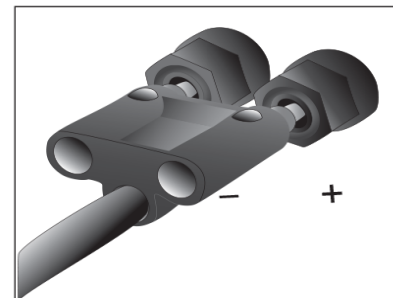
## PRODUCT OVERVIEW



## AUDIO CONNECTIONS



2 WAY CABLE BINDING POST \ BOLT  
TERMINAL



IT IS ALSO POSSIBLE TO CONNECT  
THE AUDIO CONNECTIONS USING  
A STANDARD "BOLT" CONNECTOR  
(NOT INCLUDED)

## MOUNTING THE SPEAKERS



Installation of your KT outdoor speakers is designed to be simple and intuitive, it is largely advised to consult a professional installer. Make sure the materials on which you plan to mount the speakers can support the weight of the speakers.

Hardware is provided for attaching the brackets directly to a solid wood beam and also to sturdy drywall that is atleast 5/8" thick. Never attach the speakers to a wall that might contain electrical wiring or plumbing.

**IF YOU ARE UNSURE ABOUT ANY OF THESE INSTRUCTIONS,  
PLEASE CONTACT A PROFESSIONAL CUSTOM AUDIO INSTALLER.**

Although KT outdoor speakers are water proof and can be placed directly in the elements, mounting the speakers in such away that they will not absorb rain or sun directly will improve the speaker's longevity. Placing the speaker in a corner will also help improve bass performance.

Always mount the speakers so that they are aimed slightly downward in order to not collect rain water. Also, make sure to follow the "drip loop" instructions/example diagram (top of page 7).

KT outdoor speakers can be mounted vertically or horizontally and then aimed as needed to deliver the best sound performance for your area. In most cases, you will achieve the best stereo sound and imaging if you mount both speakers along the same wall between 3-6 meters apart.

1. Using the "keyhole" slots in the U-brackets as a guide, mark where the two screws will be installed.

2. If a stud is not available behind the drywall, drill a hole slightly smaller than the diameter of the drywall anchor and insert the drywall anchor until it is flush with the wall. Drive screws into a wall stud (if available) or into the drywall anchors leaving the screw heads protruding about 1/8" from the wall. Always use two screws (and two drywall anchors if no stud is available) for each speaker.

3. Run the speaker cable into position and pull the cable through the hole in the center of the bracket before mounting the bracket. Leave an extra 18" of cable to make installation and positioning of the speaker easier.

4. With the bracket attached to the speaker (using the round bracket knobs), place the large center portion of each “keyhole” over the protruding heads of each screw. Slide the speaker and brackets down so that the screw head slips behind the smaller end of the keyhole.

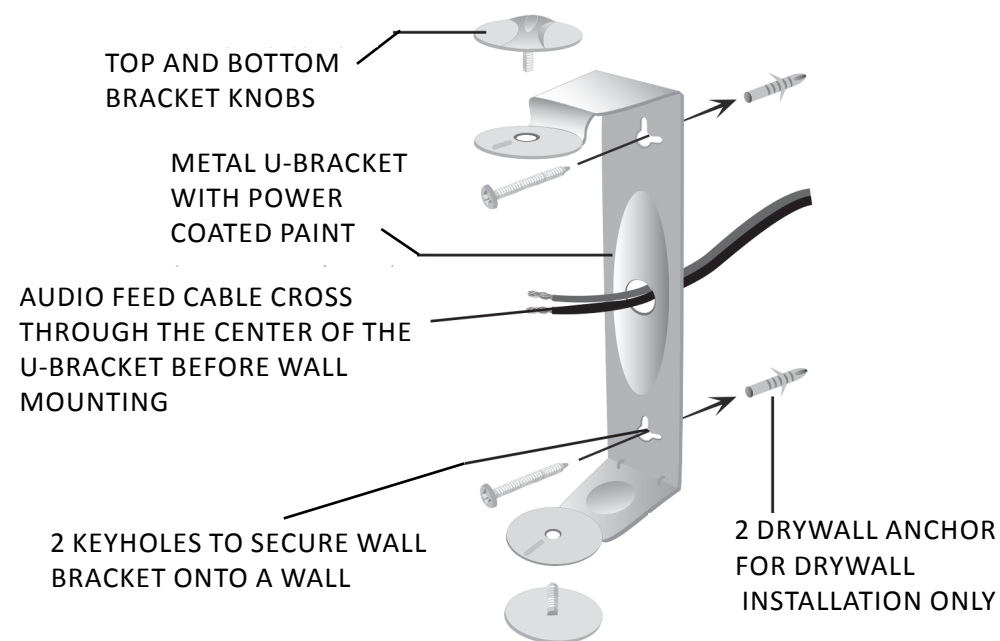
5. Tug gently on each speaker and bracket to make sure that the screws and bracket are properly held snugly in place. If necessary, disconnect a speaker from the bracket, tighten the screws, and then reattach the speaker.

6. Connect the speaker cables to the speaker before connecting the other end to your amplifier: Strip approximately 1/2” of insulation away and tightly twist the wires. For both the positive and negative cable, twist open the binding post by turning counter-clockwise to reveal an “eye”. Insert the wire into the “eye” and tighten the binding post back down. When connecting a speaker it is important to maintain correct polarity. To do this, be sure that the wire attached to the +, red, or positive terminal on the speaker connects to the +, red, or positive terminal on the amplifier.

Similarly, the -, black, or negative terminal on the speaker must be connected to the respective -, black, or negative terminal on the amplifier. Most cable is either color coded or has some type of writing or other mark on it to help you maintain consistency.

7. With the amplifier turned off, connect the other end of the speaker cable in accordance with the instructions provided with that component. Once connected, turn on the amplifier and test the speakers.

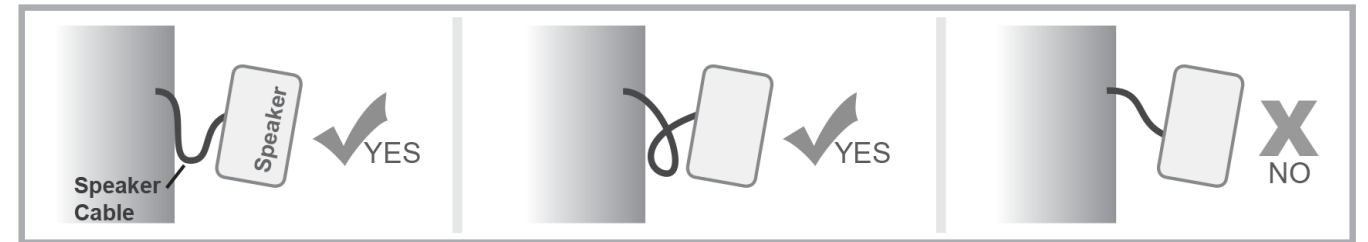
### MOUNTING BRACKET



### PROTECTING YOUR OUTDOOR SPEAKER WITH A “DRIP LOOP”

HTD recommends using a “drip loop” when installing your speaker cable to help minimize the direct flow of water onto the speaker. This will assist in reducing any potential long-term oxidation or water penetration issues by providing a low point for water to escape prior to reaching the speaker.

The below examples illustrate how (and how not) to utilize a drip loop.



### PRODUCT SPECIFICATIONS

Speaker design	Indoor - Outdoor
Power Rating	80W RMS   120W PEAK
Impadence Ω	8 Ohms
Frequency Response	56Hz to 20Khz
Tweeter	1" (25mm) Silk soft dome
Woofer	8" (203mm) Graphite Cone , Rubber Surround Woofer
Connector Type	Standard rotary connector
Color	White \ Black
IP Rating	IP66

### INCLUDED ITEMS

- U-BRACKET
- 2 BRACKET KNOBS
- 2 DRYWALL ANCHORS
- USER MANUAL

**2015 KT® PROFESSIONAL.**

INFORMATION SUBJECT TO CHANGE WITHOUT NOTICE. KT® PROFESSIONAL  
DISCLAIM LIABILITY FOR ANY INJURY, DAMAGE, DIRECT OR  
INDIRECT LOSS, CONSEQUENTIAL OR ECONOMIC LOSS OR ANY OTHER LOSS  
OCCASIONED BY THE USE OF, INABILITY TO USE OR RELIANCE ON THE  
INFORMATION CONTAINED IN THIS MANUAL.

THE KT LOGO, THE KT® PROFESIONAL NAME AND ALL OTHER  
TRADEMARKS IN THIS DOCUMENT PERTAINING TO SERVICES OR  
PRODUCTS BY KT® PROFESSIONAL OR ITS AFFILIATES AND  
SUBSIDIARIES ARE TRADEMARKS OWNED OR LICENSED  
BY KT® PROFESSIONAL

**KT® PROFESSIONAL**



## INTERPID 800 SPECIFICATION



Tweeter	1''(25 mm) Silk soft dome
Woofer	8''(203mm) Graphite Cone , Rubber Surround
Frequency Range+/-3	56 Hz-20k Hz
Power Handing RMS	140 W program ,80 W (IEEE 219 )
Sensitivity	90 dB
Taps	N/A
Impedance	8 ohms
Termination	Standard pressed connector
Attachment	Brackets Grille
Dimensions L*W*H	14.17'' x9.64'' x9.05'' (360mm x245mm x230mm )
Certifications	N/A
Material	ABS
Package dimension(L*W*H)	66*34*35.5mm

