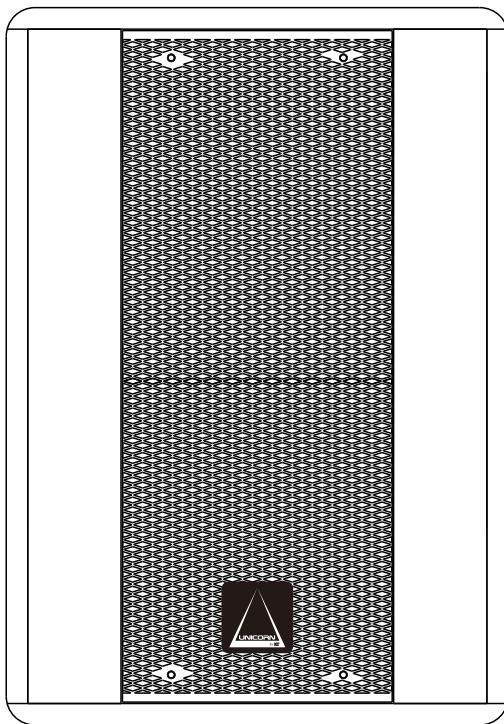
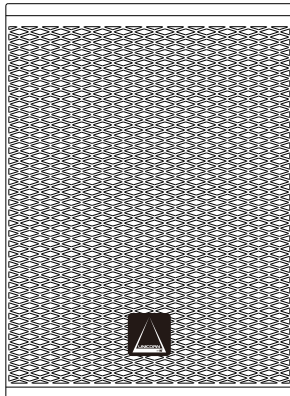


Bamboo

Passive Series



User's manual



Euphoria 5 bamboo

Euphoria 6 bamboo

Euphoria 8 bamboo

Euphoria 10 bamboo

Euphoria 12 sub bamboo

Euphoria 15 sub bamboo

Euphoria 18 sub bamboo

www.kot.co.il/Store.kot.co.il



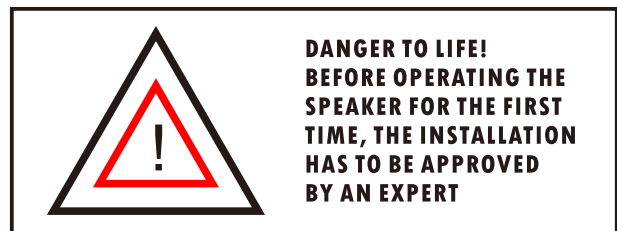
Please keep this user manual for future reference



WARNING

FOR YOUR OWN SAFETY, PLEASE READ THIS USER MANUAL CAREFULLY BEFORE YOUR INITIAL START-UP!

- Immediately upon receiving this product, carefully unpack the carton and check the contents to ensure that all the parts are present.
- Before your initial start-up, please make sure that there is no damage caused during transportation.
- Should there be any damage, consult your dealer and do not use the equipment.
- Retain the carton and all packaging materials.
- In the event that a fixture must be returned to the supplier, it is important that the fixture is returned in the original carton and packaging.
- To maintain the equipment in good working condition and to ensure safe operation, it is necessary for the user to follow the safety instructions and warning notes written in this manual.
- Please note that damages caused by user modifications to this equipment are not subject to warranty.



IMPORTANT:

The manufacturer will not accept liability for any resulting damages caused by the non-observance of this manual or any unauthorised modification to the equipment.

- Never leave any cables lying around.
- Do not use the unit near stoves, heaters, radiators, or other heat producing devices.
- Do not insert any objects into the grille.
- Never remove warning or informative labels from the equipment.
- Do not open the equipment and do not modify the equipment.
- Only use the equipment indoors.
- Do not expose to flammable sources, liquids or gases.
- Do not use the incorrect cables or defective cables.
- Do not drive the inputs with a signal level higher than required to drive the equipment to its full output
- Prevent distortion! Make sure that all components connected to the speaker have sufficient power ratings. Distortion will be generated if the components are operated at their limits.
- The user is responsible for correct positioning and operation of this fixture. The manufacturer will not accept liability for damages caused by the misuse or incorrect installation of this equipment.
- Repairs, servicing and power connection must only be carried out by a qualified technician. **THIS UNIT CONTAINS NO USER SERVICEABLE PARTS.**
- This fixture is for professional use only - it is not designed for or suitable for household use. The product must be installed by a qualified technician in accordance with local territory regulations. The safety of the installation is the responsibility of the installer. The fixture presents risks of severe injury or death due to fire hazards, electric shock and falls.
- **WARRANTY:** Three years from date of purchase.

OPERATING DETERMINATIONS

If this equipment is operated in any other way, than those described in this manual, the product may suffer damage and the warranty becomes void. Incorrect operation may lead to danger e.g: short-circuit, burns and electric shocks etc. In case of malfunction this fixture should be returned for service or inspection.

Do not endanger your own safety and the safety of others!

Incorrect installation or use can cause serious damage to people and/or property.

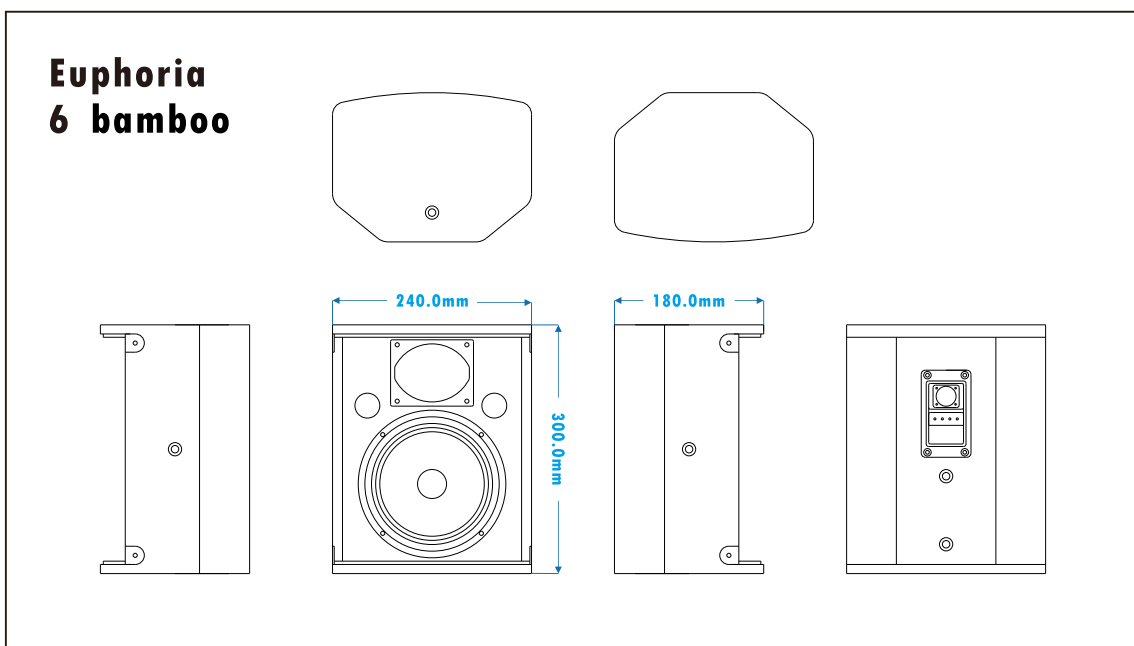
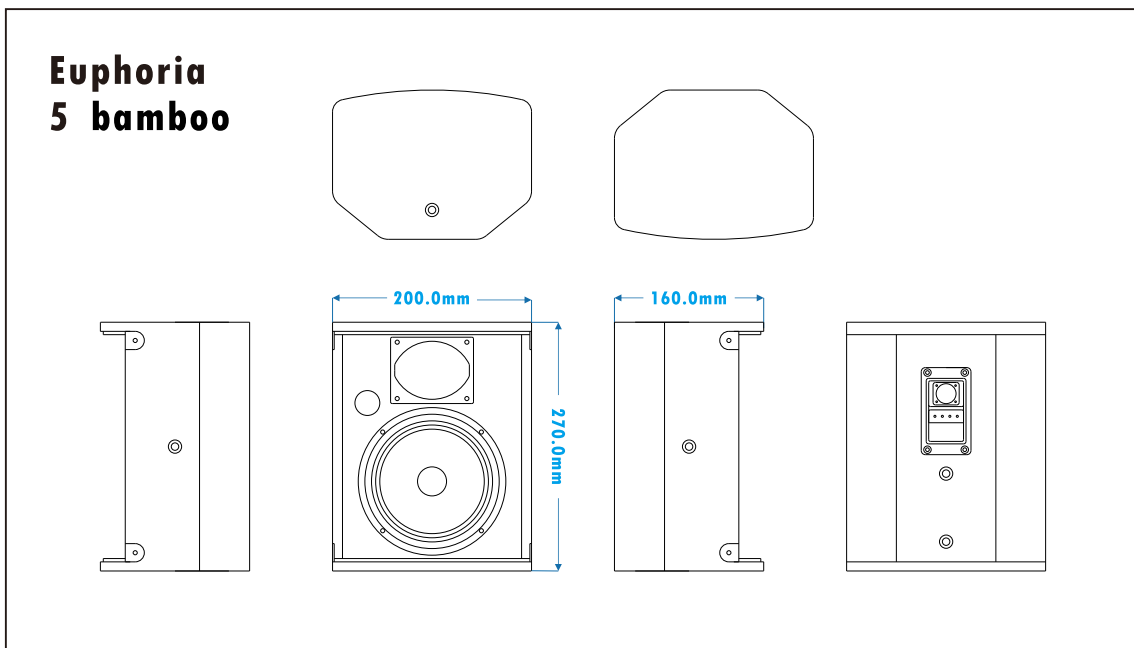
Features:

- 2-way full-range design
- High-Pitch overload AUTO protection
- Hanging installation
- High-efficiency output
- Reverse-phase bass radiation
- Bamboo cabinet
- Varnish

Scope:

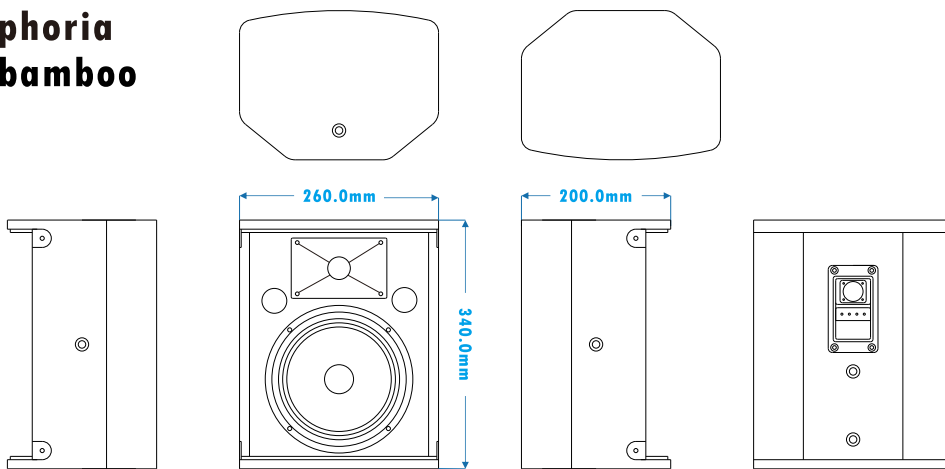
- Auxiliary loudspeaker for western café
- Auxiliary loudspeaker for club hall
- Sound phase complement for multi-functional halls
- Main loudspeaker for meeting hall & AV
- Main loudspeaker for outdoor sound reinforcement system

Size of FIG:

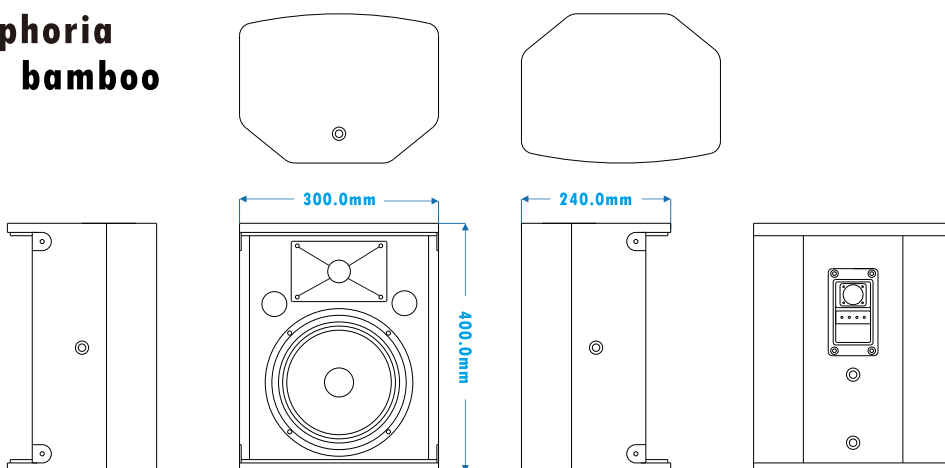




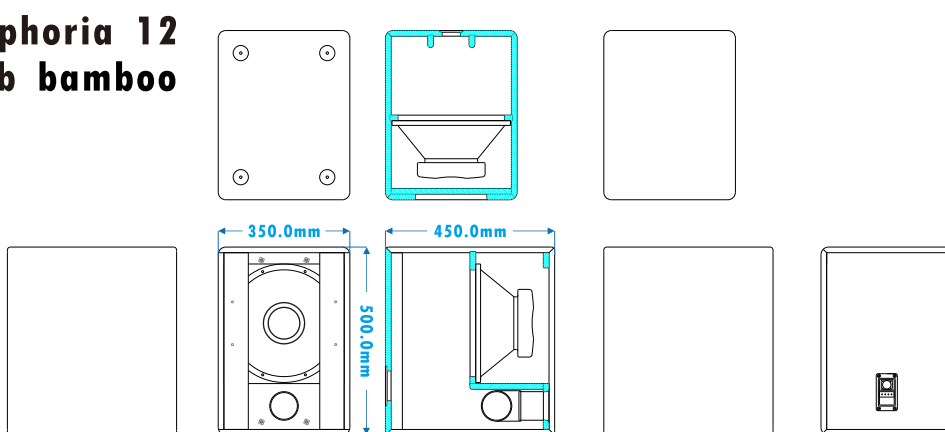
**Euphoria
8 bamboo**

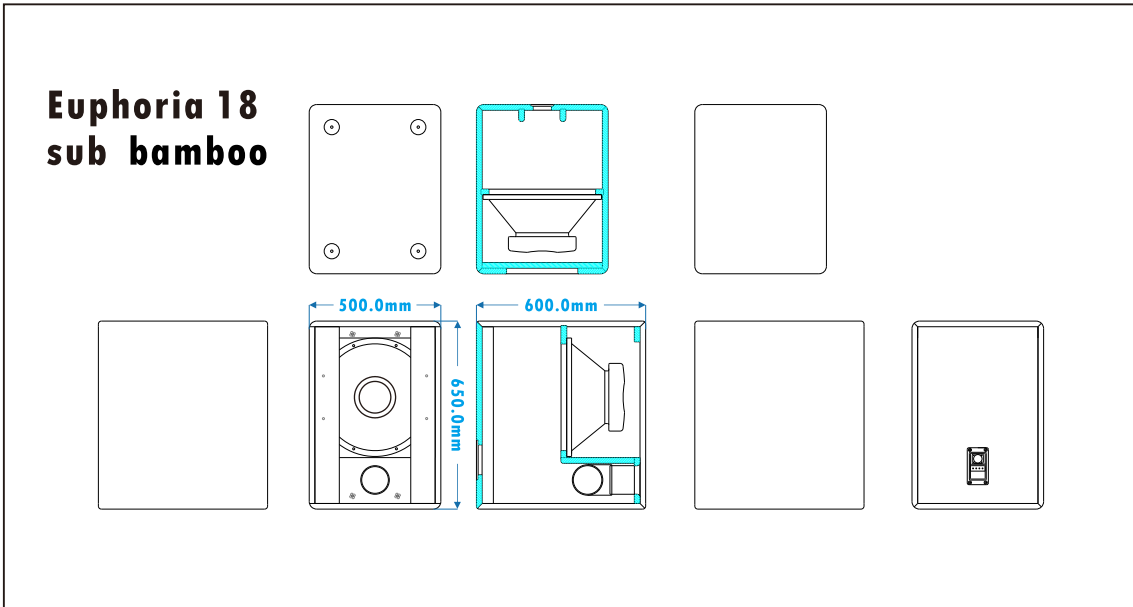
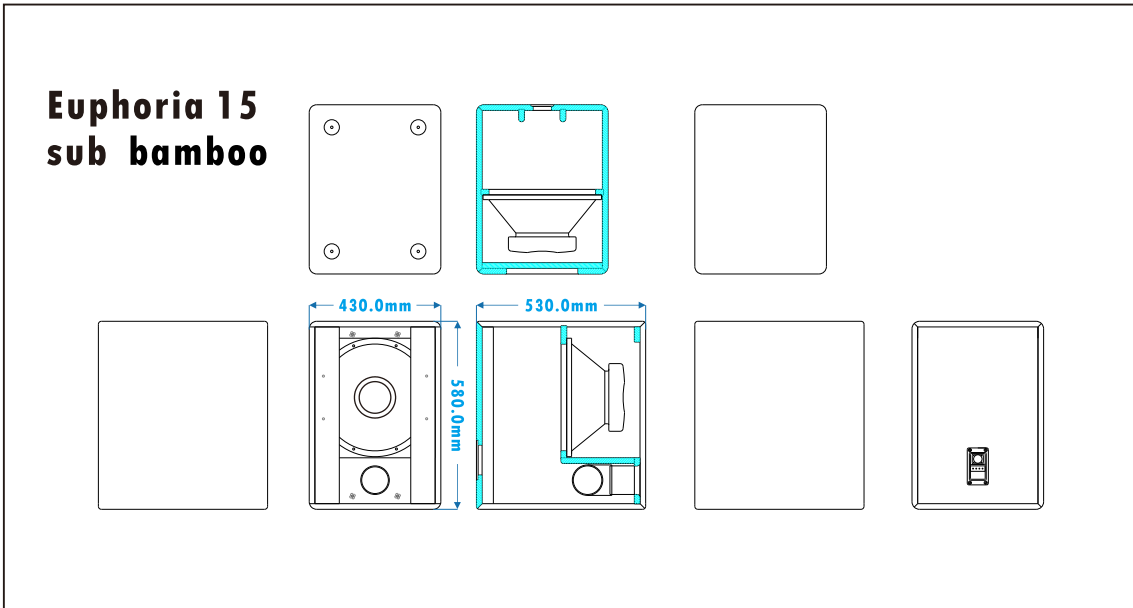


**Euphoria
10 bamboo**



**Euphoria 12
sub bamboo**







Bamboo Passive Series

Model	Euphoria 5 bamboo	Euphoria 6 bamboo	Euphoria 8 bamboo	Euphoria 8 bamboo
FREQUENCY RESPONSE	80Hz-20KHz±3dB	70Hz-20KHz±3dB	60Hz-20KHz±3dB	50Hz-20KHz±3dB
DRIVERS	5" bass driver	6" bass driver	8" bass driver	10" bass driver
	2.75"paper Ultra tweete	2.75"paper Ultra tweete	1" (25mm) HF	1" (25mm) HF
RATED POWER	100W RMS, 200W peak	150W RMS,300W peak	200W RMS, 400W peak	300W RMS, 600W peak
SENSITIVITY	90dB	92dB	94dB	96dB
MAXIMUM SPL	96dB continuous, 99dB peak	98dB continuous, 101dB peak	99dB continuous, 102dB peak	102dB continuous, 105dB peak
IMPEDANCE	8 ohms	8 ohms	8 ohms	8 ohms
DISPERSION (-6dB)	80° horizontal, 60° vertical	80° horizontal, 60° vertical	90° horizontal, 60° vertical	90° horizontal, 60° vertical
CROSSOVER	2.7KHz passive	2.6KHz passive	2.5KHz passive	2.4KHz passive
CABINET	12mm bamboo	12mm bamboo	15mm bamboo	15mm bamboo
SURFACE	Varnish	Varnish	Varnish	Varnish
GRILLE	Chrome plated perforated grill	Chrome plated perforated grill	Chrome plated perforated grill	Chrome plated perforated grill
DIMENSIONS (WxDxH)	200 x 160 x 270 mm	240 x 180 x 300 mm	260 x 200 x 340 mm	300 x 240 x 400 mm
WEIGHT	5.2KG	6.8KG	9.0KG	11.5KG
Model	Euphoria 12 sub bamboo	Euphoria 15 sub bamboo	Euphoria 18 sub bamboo	
FREQUENCY RESPONSE	50Hz-200Hz±3dB	45Hz-200Hz±3dB	40Hz-200Hz±3dB	
DRIVERS	12" bass driver	15"bass driver	18" bass driver	
	/	/	/	
RATED POWER	400W RMS,800W peak	500W RMS,1000W peak	600W RMS,1200W peak	
SENSITIVITY	99dB	101dB	103dB	
MAXIMUM SPL	119dB continuous, 122dB peak	121dB continuous, 124dB peak	123dB continuous, 126dB peak	
IMPEDANCE	8 ohms	8 ohms	8 ohms	
DISPERSION (-6dB)	/	/	/	
CROSSOVER	/	/	/	
CABINET	15mm bamboo	18mm bamboo	18mm bamboo	
SURFACE	Varnish	Varnish	Varnish	
GRILLE	Chrome plated perforated grill	Chrome plated perforated grill	Chrome plated perforated grill	
DIMENSIONS (WxDxH)	350 x 450 x 500 mm	430 x 530 x 580 mm	500 x 600 x 650 mm	
WEIGHT	36KG	45KG	53KG	

